

Ultra-Broadband SMT Inductor



GLMR47KAT1A

AVX, the industry leader, in introducing the new GLM Series High Frequency Ultra-Broadband Inductor (UBL). This unique component provides low insertion loss and an excellent match over multiple octaves of frequency spectrum.

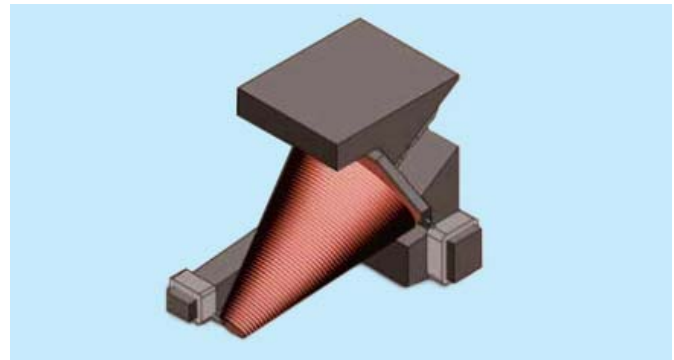
The GLM is ideal for ultra-broadband DC decoupling networks and bias tee applications in optical communications systems and equipment using high-speed digital logic.

FEATURES

- Operating Frequency: 9.5 MHz (-3 dB roll-off) through 40+ GHz typ.
- Insertion Loss (shunt mounted): ≤ 0.5 dB, typ.
- Return Loss (shunt mounted): > 20 dB, typ.
- Operating Temperature Range: -55°C to $+125^{\circ}\text{C}$
- Lead-Free, RoHs Compliant Terminations

ADVANTAGES

- Ultra-Broadband Performance
- Ultra-Low Insertion Loss
- Flat Frequency Response
- Excellent Return Loss Through 40 GHz
- Unit-to-Unit Performance Repeatability
- Rugged Powdered Iron Core



ELECTRICAL SPECIFICATION

- Inductance: $0.47 \mu\text{H} \pm 10\%$
- Rated Current ($I_{\text{DC max.}}$): 815 mA*
- Resistance ($I_{\text{DC max.}}$): 0.19Ω , typ. at $+20^{\circ}\text{C}$, 10 mA Current

*Current for 100°C Temperature rise

Notes:

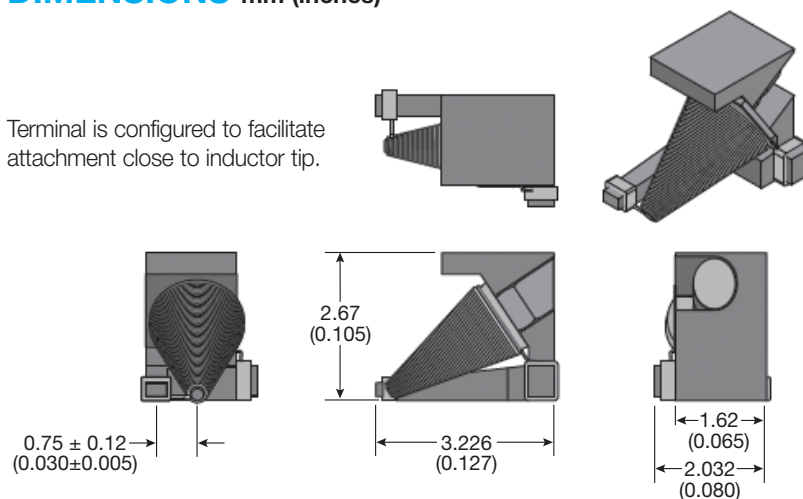
Inductance: measured at 1 MHz, 0.1 Vrms, 0 mA dc with HP4291A impedance analyser

Current Rating: based on a 100°C temperature rise from a 25°C ambient

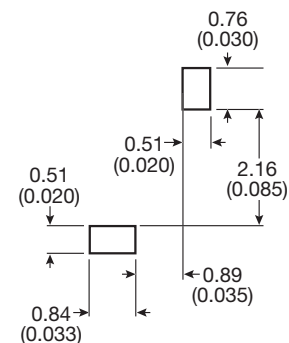
Wire: Copper, plated with gold $20 \mu\text{in.} \pm 5 \mu\text{in.}$

DIMENSIONS mm (inches)

Terminal is configured to facilitate attachment close to inductor tip.



RECOMMENDED FOOTPRINT



Size	Length (L)	Width (W)	Height (H)	Cu Wire Size (AWG)	Number of Times
M	3.226 (0.127)	2.032 (0.080)	2.670 (0.105)	38	22

Ultra-Broadband SMT Inductor

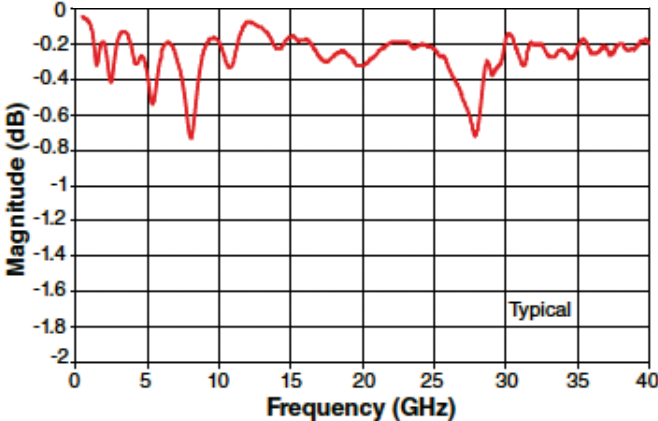


GLMR47KAT1A

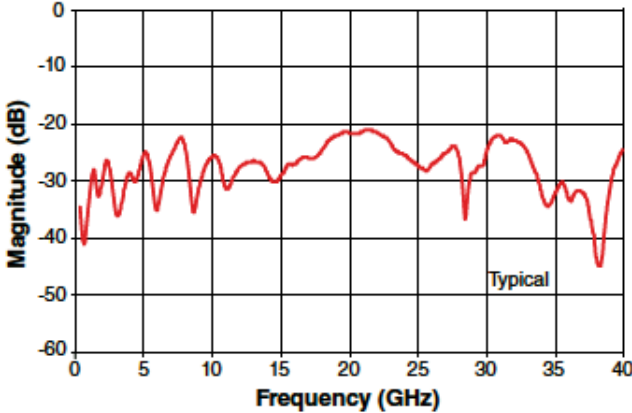
HOW TO ORDER

GL Series	M Case Size	R47 Inductance Code (μH) 3 significant digits for inductance R = Decimal point	K Inductance Tolerance $\pm 10\%$	A Failure Rate	T Termination T = Tin Termination	1A Packaging 1A = Tape & Reel
--------------------------	----------------------------	--	---	-------------------------------	---	---

Insertion Loss (S21)



Return Loss (S11)



Ultra-Broadband SMT Inductor



GLMR70KAT1A

AVX, the industry leader, in introducing the new GLM Series High Frequency Ultra-Broadband Inductor (UBL). This unique component provides low insertion loss and an excellent match over multiple octaves of frequency spectrum.

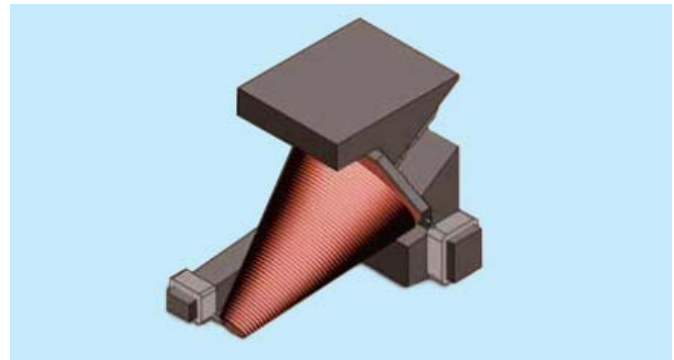
The GLM is ideal for ultra-broadband DC decoupling networks and bias tee applications in optical communications systems and equipment using high-speed digital logic.

FEATURES

- Operating Frequency: 6.6 MHz (-3 dB roll-off) through 40+ GHz typ.
- Insertion Loss (shunt mounted): ≤ 0.5 dB, typ.
- Return Loss (shunt mounted): > 20 dB, typ.
- Operating Temperature Range: -55°C to $+125^{\circ}\text{C}$
- Lead-Free, RoHs Compliant Terminations

ADVANTAGES

- Ultra-Broadband Performance
- Ultra-Low Insertion Loss
- Flat Frequency Response
- Excellent Return Loss Through 40 GHz
- Unit-to-Unit Performance Repeatability
- Rugged Powdered Iron Core



ELECTRICAL SPECIFICATION

- Inductance: $0.70 \mu\text{H} \pm 10\%$
- Rated Current ($I_{\text{DC max.}}$): 619 mA*
- Resistance ($I_{\text{DC max.}}$): 0.32Ω , typ. at $+20^{\circ}\text{C}$, 10 mA Current

*Current for 100°C Temperature rise

Notes:

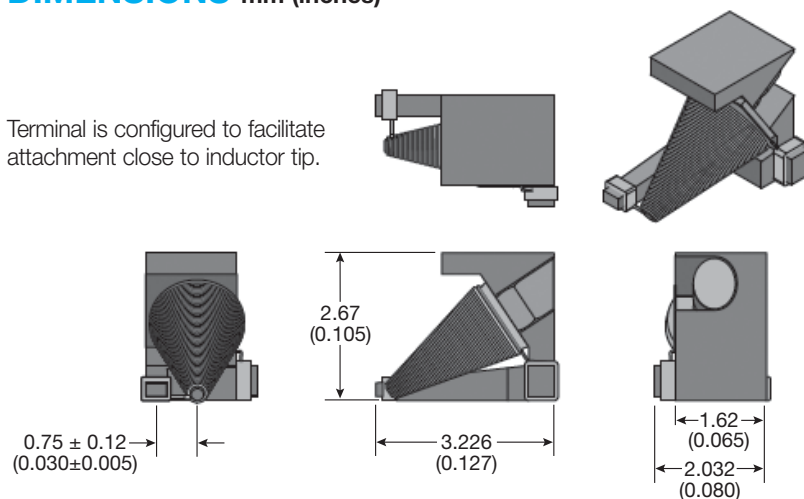
Inductance: measured at 1 MHz, 0.1 Vrms, 0 mA dc with HP4291A impedance analyser

Current Rating: based on a 100°C temperature rise from a 25°C ambient

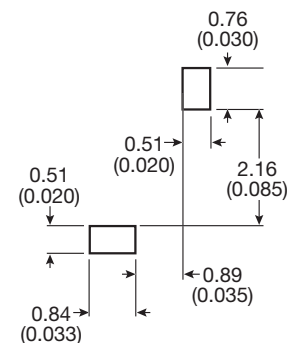
Wire: Copper, plated with gold $20 \mu\text{in.} \pm 5 \mu\text{in.}$

DIMENSIONS mm (inches)

Terminal is configured to facilitate attachment close to inductor tip.



RECOMMENDED FOOTPRINT



Size	Length (L)	Width (W)	Height (H)	Cu Wire Size (AWG)	Number of Times
M	3.226 (0.127)	2.032 (0.080)	2.670 (0.105)	40	27

Ultra-Broadband SMT Inductor

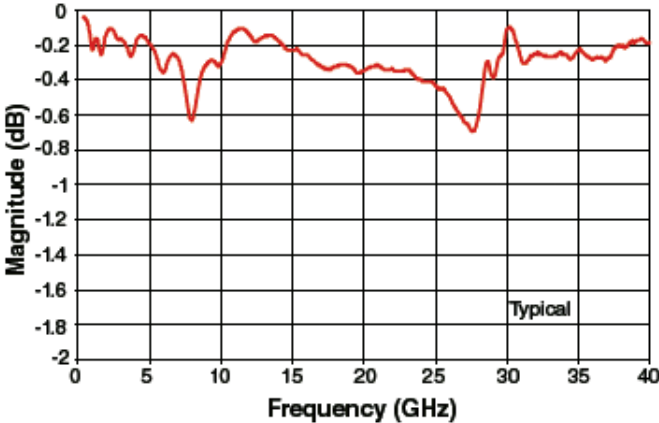


GLMR70KAT1A

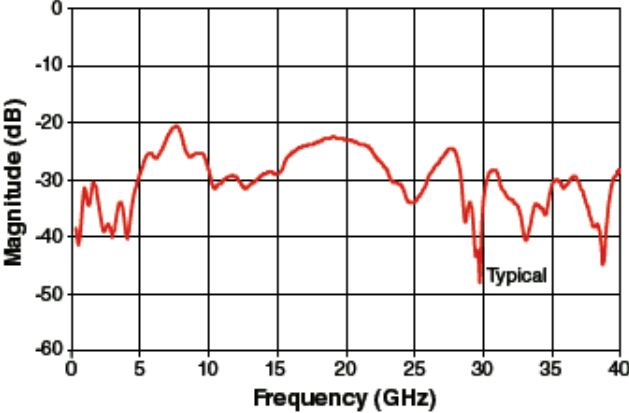
HOW TO ORDER

GL Series	M Case Size	R70 Inductance Code (μH) 3 significant digits for inductance R = Decimal point	K Inductance Tolerance $\pm 10\%$	A Failure Rate	T Termination T = Tin Termination	1A Packaging 1A = Tape & Reel
--------------------------	----------------------------	--	---	-------------------------------	---	---

Insertion Loss (S21)



Return Loss (S11)



Ultra-Broadband SMT Inductor



GLM1R1KAT1A

AVX, the industry leader, in introducing the new GLM Series High Frequency Ultra-Broadband Inductor (UBL). This unique component provides low insertion loss and an excellent match over multiple octaves of frequency spectrum.

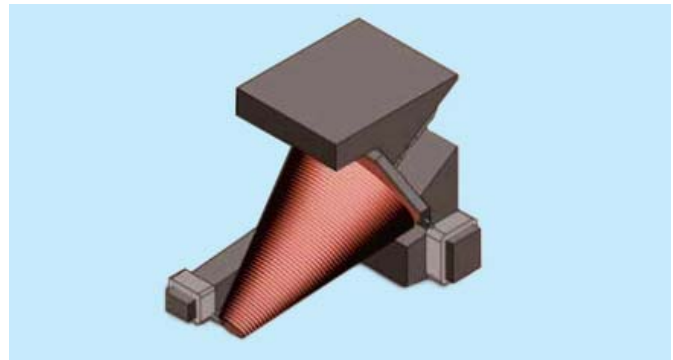
The GLM is ideal for ultra-broadband DC decoupling networks and bias tee applications in optical communications systems and equipment using high-speed digital logic.

FEATURES

- Operating Frequency: 3.3 MHz (-3 dB roll-off) through 40+ GHz typ.
- Insertion Loss (shunt mounted): ≤ 0.6 dB, typ.
- Return Loss (shunt mounted): > 22 dB, typ.
- Operating Temperature Range: -55°C to $+125^{\circ}\text{C}$
- Lead-Free, RoHs Compliant Terminations

ADVANTAGES

- Ultra-Broadband Performance
- Ultra-Low Insertion Loss
- Flat Frequency Response
- Excellent Return Loss Through 40 GHz
- Unit-to-Unit Performance Repeatability
- Rugged Powdered Iron Core



ELECTRICAL SPECIFICATION

- Inductance: $1.10 \mu\text{H} \pm 10\%$
- Rated Current ($I_{\text{DC max.}}$): 438 mA^*
- Resistance ($I_{\text{DC max.}}$): 0.64Ω , typ. at $+20^{\circ}\text{C}$, 10 mA Current

*Current for 100°C Temperature rise

Notes:

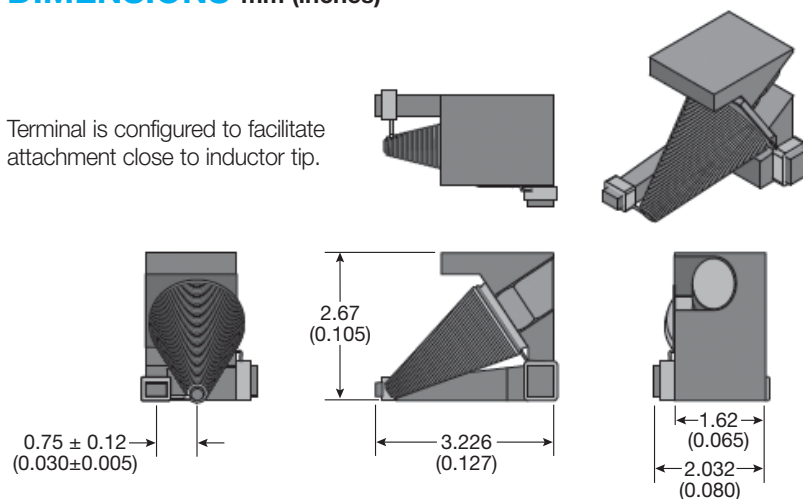
Inductance: measured at 1 MHz, 0.1 Vrms, 0 mA dc with HP4291A impedance analyser

Current Rating: based on a 100°C temperature rise from a 25°C ambient

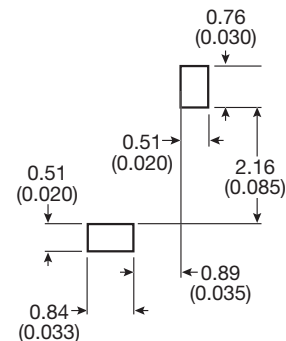
Wire: Copper, plated with gold $20 \mu\text{in.} \pm 5 \mu\text{in.}$

DIMENSIONS mm (inches)

Terminal is configured to facilitate attachment close to inductor tip.



RECOMMENDED FOOTPRINT



Size	Length (L)	Width (W)	Height (H)	Cu Wire Size (AWG)	Number of Times
M	3.226 (0.127)	2.032 (0.080)	2.670 (0.105)	42	34

Ultra-Broadband SMT Inductor

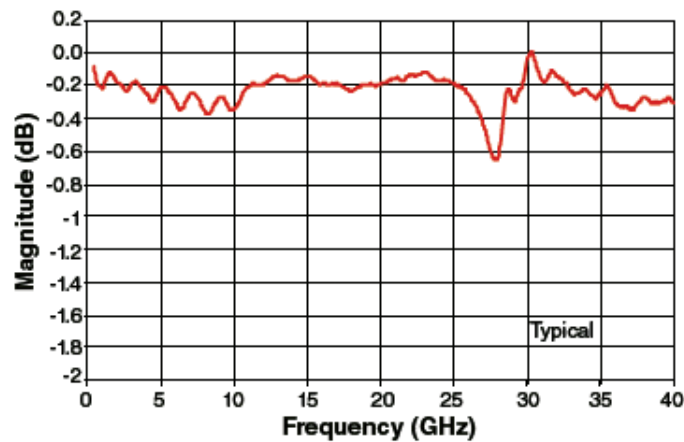


GLM1R1KAT1A

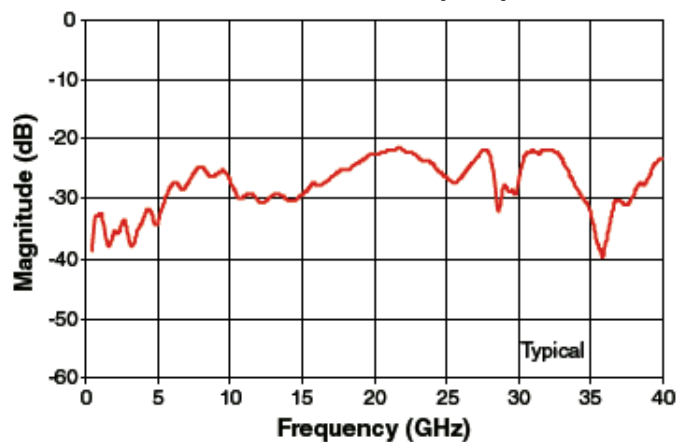
HOW TO ORDER

GL Series	M Case Size	1R1 Inductance Code (μ H) 3 significant digits for inductance R = Decimal point	K Inductance Tolerance $\pm 10\%$	A Failure Rate	T Termination T = Tin Termination	1A Packaging 1A = Tape & Reel
--------------------------	----------------------------	---	---	-------------------------------	---	---

Insertion Loss (S21)



Return Loss (S11)



Ultra-Broadband SMT Inductor



GLM2R0KAT1A

AVX, the industry leader, in introducing the new GLM Series High Frequency Ultra-Broadband Inductor (UBL). This unique component provides low insertion loss and an excellent match over multiple octaves of frequency spectrum.

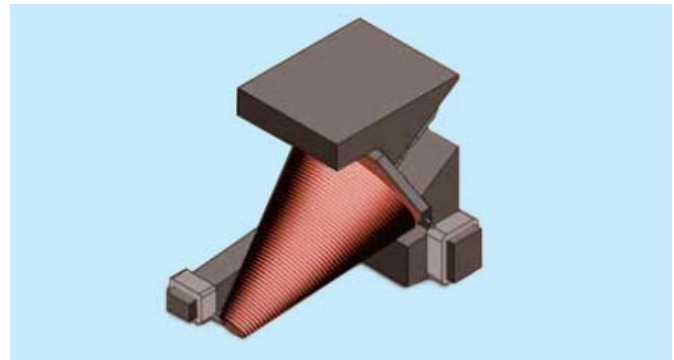
The GLM is ideal for ultra-broadband DC decoupling networks and bias tee applications in optical communications systems and equipment using high-speed digital logic.

FEATURES

- Operating Frequency:
2.1 MHz (-3 dB roll-off) through 40+ GHz typ.
- Insertion Loss (shunt mounted): ≤ 0.4 dB, typ.
- Return Loss (shunt mounted): > 20 dB, typ.
- Operating Temperature Range: -55°C to $+125^{\circ}\text{C}$
- Lead-Free, RoHs Compliant Terminations

ADVANTAGES

- Ultra-Broadband Performance
- Ultra-Low Insertion Loss
- Flat Frequency Response
- Excellent Return Loss Through 40 GHz
- Unit-to-Unit Performance Repeatability
- Rugged Powdered Iron Core



ELECTRICAL SPECIFICATION

- Inductance: $2.00 \mu\text{H} \pm 10\%$
- Rated Current ($I_{\text{DC max.}}$): 277 mA^*
- Resistance ($I_{\text{DC max.}}$): 1.60Ω , typ. at $+20^{\circ}\text{C}$,
10 mA Current

*Current for 100°C Temperature rise

Notes:

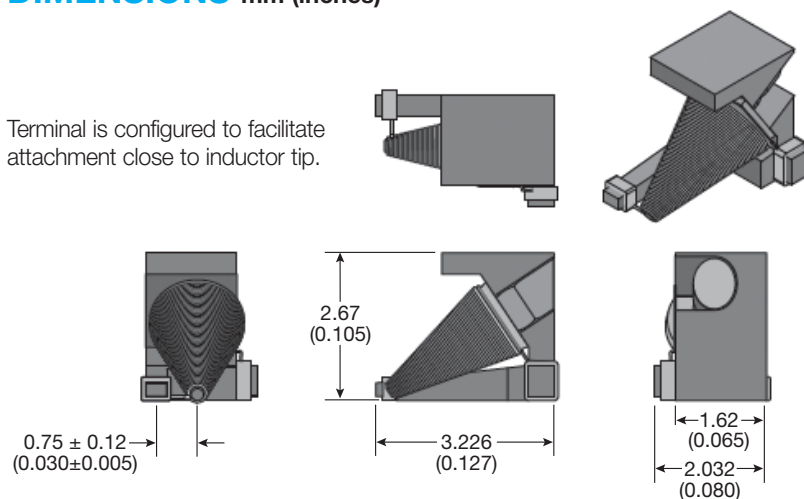
Inductance: measured at 1 MHz, 0.1 Vrms, 0 mA dc with HP4291A impedance analyser

Current Rating: based on a 100°C temperature rise from a 25°C ambient

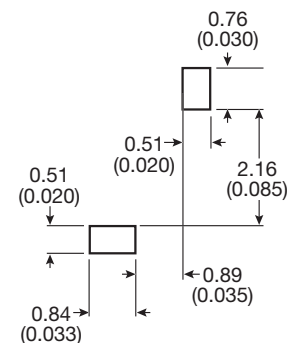
Wire: Copper, plated with gold $20 \mu\text{in.} \pm 5 \mu\text{in.}$

DIMENSIONS mm (inches)

Terminal is configured to facilitate attachment close to inductor tip.



RECOMMENDED FOOTPRINT



Size	Length (L)	Width (W)	Height (H)	Cu Wire Size (AWG)	Number of Times
M	3.226 (0.127)	2.032 (0.080)	2.670 (0.105)	44	46

Ultra-Broadband SMT Inductor

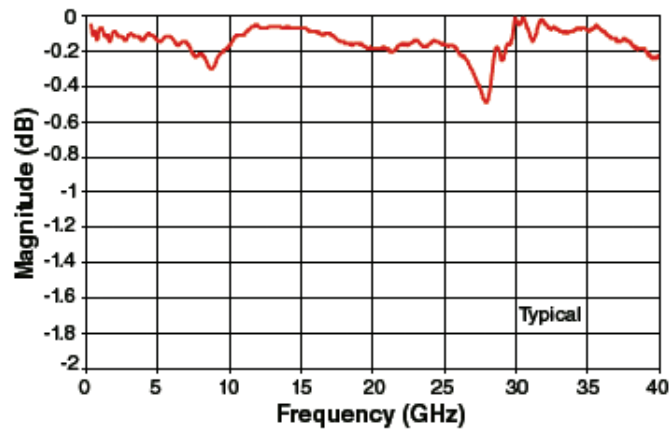


GLM2R0KAT1A

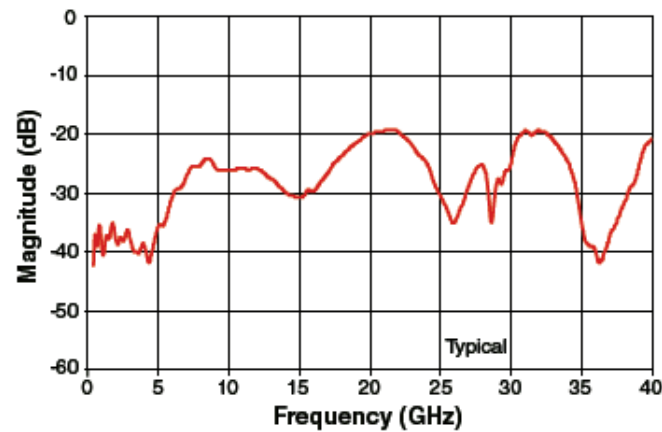
HOW TO ORDER

GL Series	M Case Size	2R0 Inductance Code (μH) 3 significant digits for inductance R = Decimal point	K Inductance Tolerance $\pm 10\%$	A Failure Rate	T Termination T = Tin Termination	1A Packaging 1A = Tape & Reel
--------------------------	----------------------------	--	---	-------------------------------	---	---

Insertion Loss (S21)



Return Loss (S11)



Ultra-Broadband SMT Inductor



GLM3R8KAT1A

AVX, the industry leader, in introducing the new GLM Series High Frequency Ultra-Broadband Inductor (UBL). This unique component provides low insertion loss and an excellent match over multiple octaves of frequency spectrum.

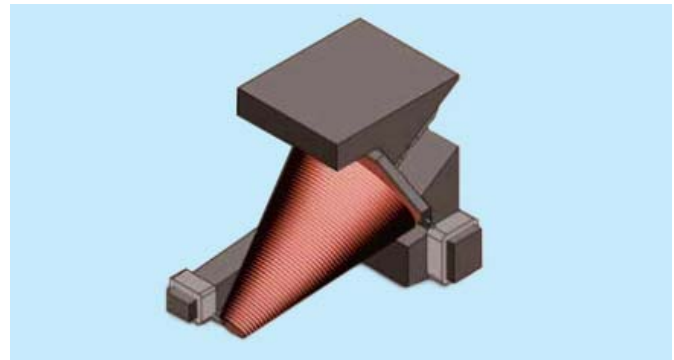
The GLM is ideal for ultra-broadband DC decoupling networks and bias tee applications in optical communications systems and equipment using high-speed digital logic.

FEATURES

- Operating Frequency:
1.1 MHz (-3 dB roll-off) through 40+ GHz typ.
- Insertion Loss (shunt mounted): ≤ 0.4 dB, typ.
- Return Loss (shunt mounted): > 25 dB, typ.
- Operating Temperature Range: -55°C to $+125^{\circ}\text{C}$
- Lead-Free, RoHs Compliant Terminations

ADVANTAGES

- Ultra-Broadband Performance
- Ultra-Low Insertion Loss
- Flat Frequency Response
- Excellent Return Loss Through 40 GHz
- Unit-to-Unit Performance Repeatability
- Rugged Powdered Iron Core



ELECTRICAL SPECIFICATION

- Inductance: $3.8 \mu\text{H} \pm 10\%$
- Rated Current ($I_{\text{DC max.}}$): 182 mA*
- Resistance ($I_{\text{DC max.}}$): 3.70Ω , typ. at $+20^{\circ}\text{C}$, 10 mA Current

*Current for 100°C Temperature rise

Notes:

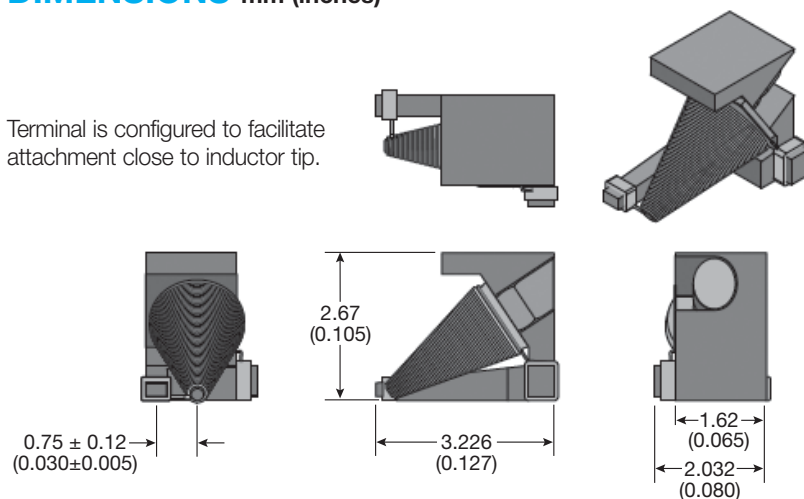
Inductance: measured at 1 MHz, 0.1 V_{rms}, 0 mA dc with HP4291A impedance analyser

Current Rating: based on a 100°C temperature rise from a 25°C ambient

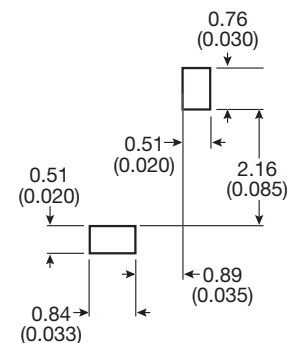
Wire: Copper, plated with gold 20 $\mu\text{in.} \pm 5 \mu\text{in.}$

DIMENSIONS mm (inches)

Terminal is configured to facilitate attachment close to inductor tip.



RECOMMENDED FOOTPRINT



Size	Length (L)	Width (W)	Height (H)	Cu Wire Size (AWG)	Number of Times
M	3.226 (0.127)	2.032 (0.080)	2.670 (0.105)	47	60

Ultra-Broadband SMT Inductor

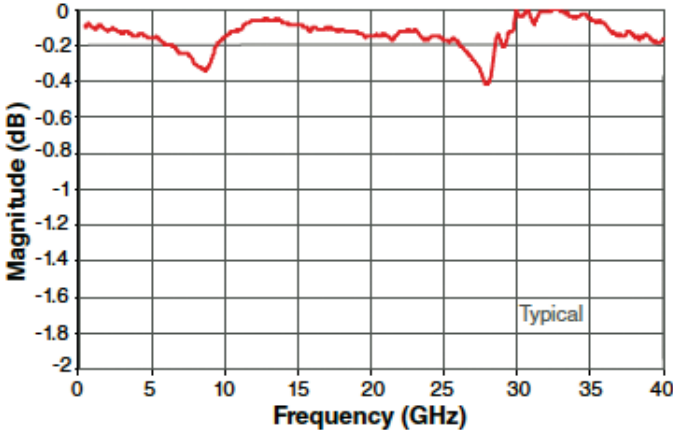


GLM3R8KAT1A

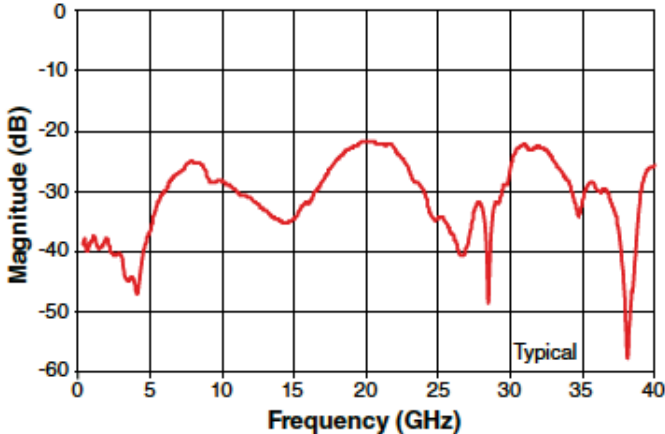
HOW TO ORDER

GL Series	M Case Size	3R8 Inductance Code (μ H) 3 significant digits for inductance R = Decimal point	K Inductance Tolerance $\pm 10\%$	A Failure Rate	T Termination T = Tin Termination	1A Packaging 1A = Tape & Reel
--------------------------	----------------------------	---	---	-------------------------------	---	---

Insertion Loss (S21)



Return Loss (S11)



Ultra-Broadband SMT Inductor



GLN1R47KAT1A

AVX, the industry leader, in introducing the new GLN Series High Frequency Ultra-Broadband Inductor (UBL). This unique component provides low insertion loss and an excellent match over multiple octaves of frequency spectrum.

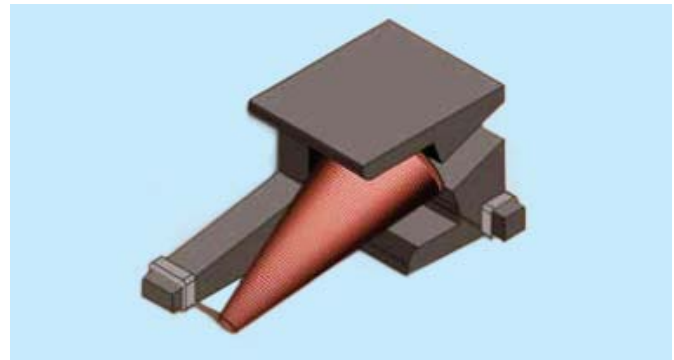
The GLN is ideal for ultra-broadband DC decoupling networks and bias tee applications in optical communications systems and equipment using high-speed digital logic.

FEATURES

- Operating Frequency: 2.8 MHz (-3 dB roll-off) through 40+ GHz typ.
- Insertion Loss (shunt mounted): ≤ 0.4 dB, typ.
- Return Loss (shunt mounted): > 17 dB, typ.
- Operating Temperature Range: -55°C to $+125^{\circ}\text{C}$
- Lead-Free, RoHs Compliant Terminations

ADVANTAGES

- Ultra-Broadband Performance
- Ultra-Low Insertion Loss
- Flat Frequency Response
- Excellent Return Loss Through 40 GHz
- Unit-to-Unit Performance Repeatability
- Rugged Powdered Iron Core



ELECTRICAL SPECIFICATION

- Inductance: $1.47 \mu\text{H} \pm 10\%$
- Rated Current ($I_{\text{DC max.}}$): 694 mA*
- Resistance ($I_{\text{DC max.}}$): 0.33Ω , typ. at $+20^{\circ}\text{C}$, 10 mA Current

*Current for 100°C Temperature rise

Notes:

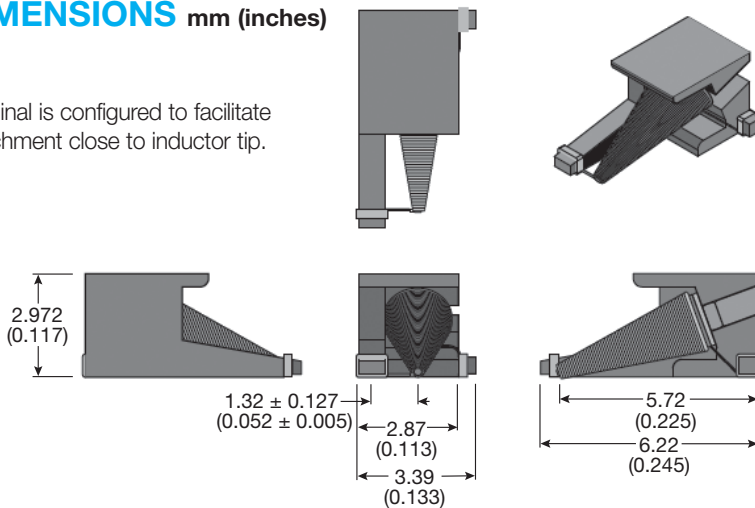
Inductance: measured at 1 MHz, 0.1 Vrms, 0 mA dc with HP4291A impedance analyser

Current Rating: based on a 100°C temperature rise from a 25°C ambient

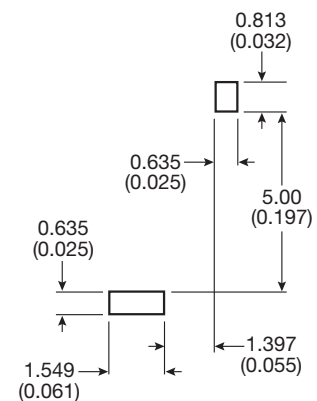
Wire: Copper, plated with gold $20 \mu\text{in.} \pm 5 \mu\text{in.}$

DIMENSIONS mm (inches)

Terminal is configured to facilitate attachment close to inductor tip.



RECOMMENDED FOOTPRINT



Size	Length (L)	Width (W)	Height (H)	Cu Wire Size (AWG)	Number of Times
N	6.223 (0.245)	3.378 (0.133)	2.972 (0.117)	38	40

Ultra-Broadband SMT Inductor

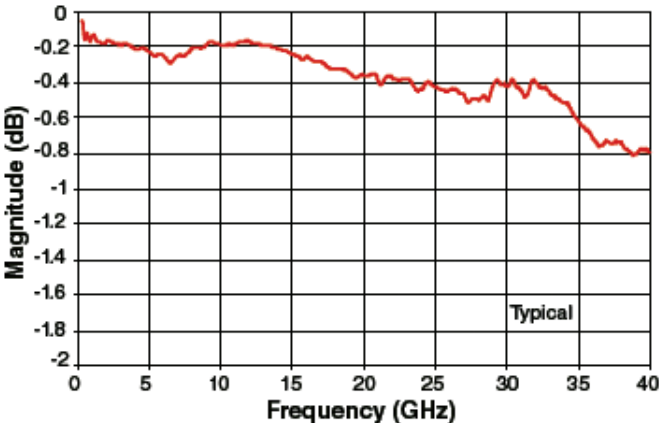


GLN1R47KAT1A

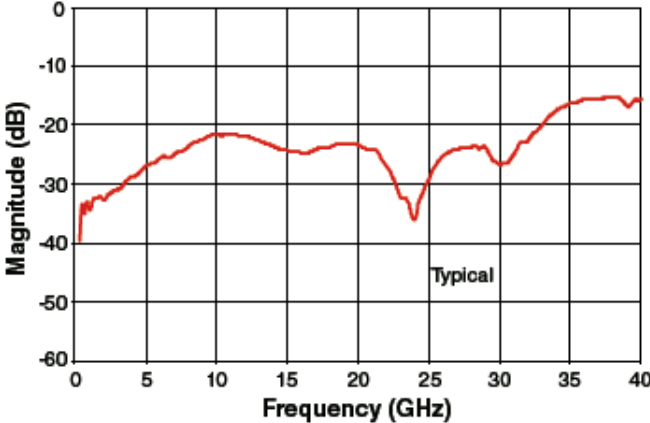
HOW TO ORDER

GL	N	1R47	K	A	T	1A
Series	Case Size	Inductance Code (μH)	Inductance Tolerance	Failure Rate	Termination	Packaging
		3 significant digits for inductance R = Decimal point	$\pm 10\%$		T = Tin Termination	1A = Tape & Reel

Insertion Loss (S21)



Return Loss (S11)



Ultra-Broadband SMT Inductor



GLN2R0KAT1A

AVX, the industry leader, in introducing the new GLN Series High Frequency Ultra-Broadband Inductor (UBL). This unique component provides low insertion loss and an excellent match over multiple octaves of frequency spectrum.

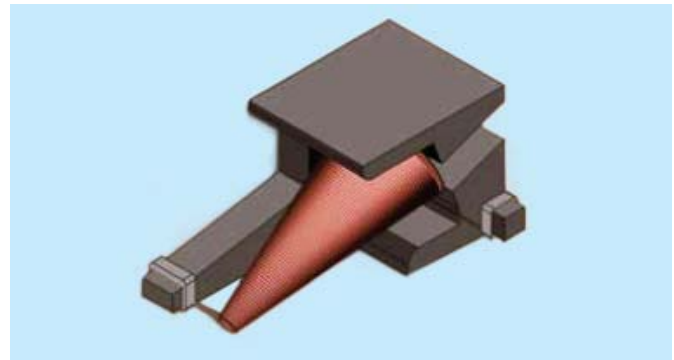
The GLN is ideal for ultra-broadband DC decoupling networks and bias tee applications in optical communications systems and equipment using high-speed digital logic.

FEATURES

- Operating Frequency: 1.6 MHz (-3 dB roll-off) through 40+ GHz typ.
- Insertion Loss (shunt mounted): ≤ 0.5 dB, typ.
- Return Loss (shunt mounted): > 17 dB, typ.
- Operating Temperature Range: -55°C to $+125^{\circ}\text{C}$
- Lead-Free, RoHs Compliant Terminations

ADVANTAGES

- Ultra-Broadband Performance
- Ultra-Low Insertion Loss
- Flat Frequency Response
- Excellent Return Loss Through 40 GHz
- Unit-to-Unit Performance Repeatability
- Rugged Powdered Iron Core



ELECTRICAL SPECIFICATION

- Inductance: $2.00 \mu\text{H} \pm 10\%$
- Rated Current ($I_{\text{DC max.}}$): 494 mA^*
- Resistance ($I_{\text{DC max.}}$): 0.65Ω , typ. at $+20^{\circ}\text{C}$, 10 mA Current

*Current for 100°C Temperature rise

Notes:

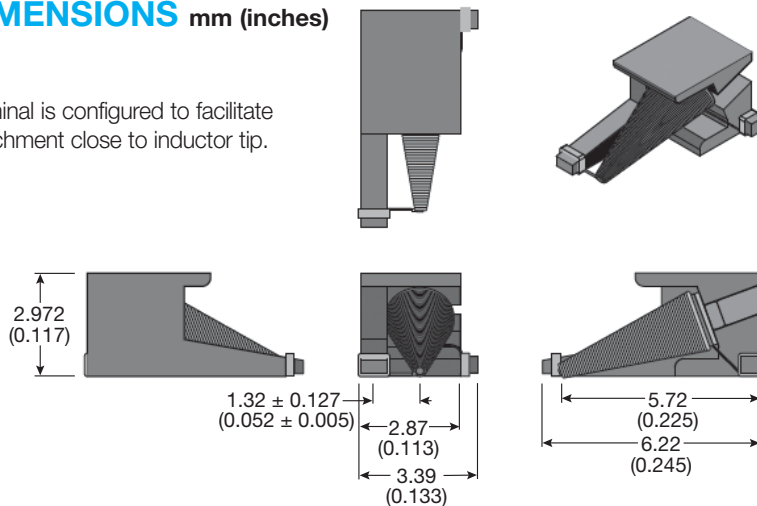
Inductance: measured at 1 MHz, 0.1 Vrms, 0 mA dc with HP4291A impedance analyser

Current Rating: based on a 100°C temperature rise from a 25°C ambient

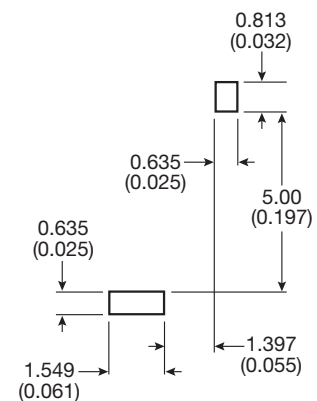
Wire: Copper, plated with gold $20 \mu\text{in.} \pm 5 \mu\text{in.}$

DIMENSIONS mm (inches)

Terminal is configured to facilitate attachment close to inductor tip.



RECOMMENDED FOOTPRINT



Size	Length (L)	Width (W)	Height (H)	Cu Wire Size (AWG)	Number of Times
N	6.223 (0.245)	3.378 (0.133)	2.972 (0.117)	40	48

Ultra-Broadband SMT Inductor

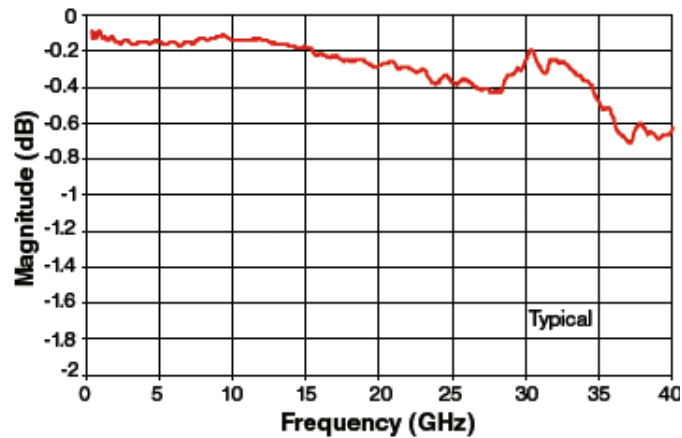


GLN2R0KAT1A

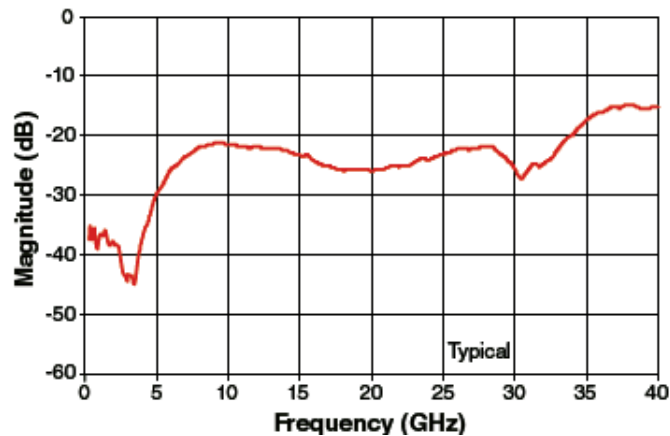
HOW TO ORDER

GL	N	2R0	K	A	T	1A
Series	Case Size	Inductance Code (μH) 3 significant digits for inductance R = Decimal point	Inductance Tolerance $\pm 10\%$	Failure Rate	Termination T = Tin Termination	Packaging 1A = Tape & Reel

Insertion Loss (S21)



Return Loss (S11)



Ultra-Broadband SMT Inductor



GLN3R3KAT1A

AVX, the industry leader, in introducing the new GLN Series High Frequency Ultra-Broadband Inductor (UBL). This unique component provides low insertion loss and an excellent match over multiple octaves of frequency spectrum.

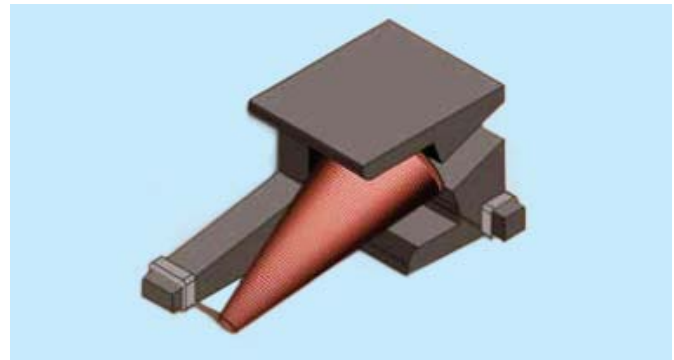
The GLN is ideal for ultra-broadband DC decoupling networks and bias tee applications in optical communications systems and equipment using high-speed digital logic.

FEATURES

- Operating Frequency:
1.3 MHz (-3 dB roll-off) through 40+ GHz typ.
- Insertion Loss (shunt mounted): ≤ 0.5 dB, typ.
- Return Loss (shunt mounted): > 17 dB, typ.
- Operating Temperature Range: -55°C to $+125^{\circ}\text{C}$
- Lead-Free, RoHs Compliant Terminations

ADVANTAGES

- Ultra-Broadband Performance
- Ultra-Low Insertion Loss
- Flat Frequency Response
- Excellent Return Loss Through 40 GHz
- Unit-to-Unit Performance Repeatability
- Rugged Powdered Iron Core



ELECTRICAL SPECIFICATION

- Inductance: $3.30 \mu\text{H} \pm 10\%$
- Rated Current ($I_{\text{DC max.}}$): 350 mA^*
- Resistance ($I_{\text{DC max.}}$): 1.29Ω , typ. at $+20^{\circ}\text{C}$, 10 mA Current

*Current for 100°C Temperature rise

Notes:

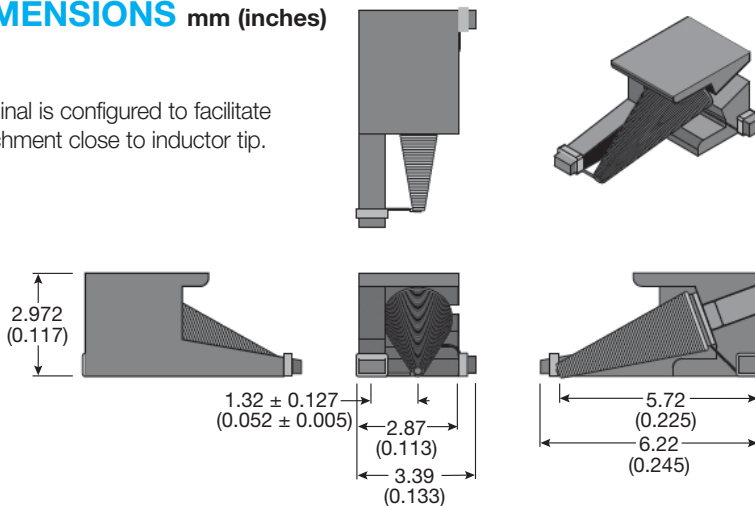
Inductance: measured at 1 MHz, 0.1 Vrms, 0 mA dc with HP4291A impedance analyser

Current Rating: based on a 100°C temperature rise from a 25°C ambient

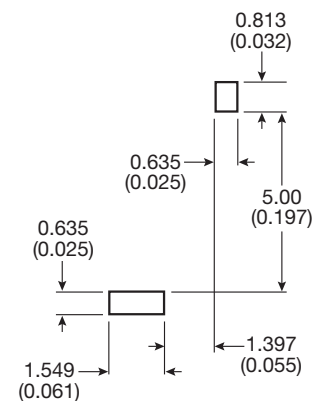
Wire: Copper, plated with gold $20 \mu\text{in.} \pm 5 \mu\text{in.}$

DIMENSIONS mm (inches)

Terminal is configured to facilitate attachment close to inductor tip.



RECOMMENDED FOOTPRINT



Size	Length (L)	Width (W)	Height (H)	Cu Wire Size (AWG)	Number of Times
N	6.223 (0.245)	3.378 (0.133)	2.972 (0.117)	42	60

Ultra-Broadband SMT Inductor

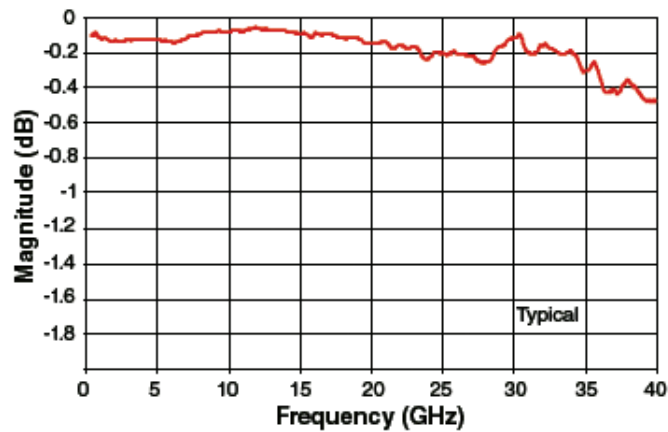


GLN3R3KAT1A

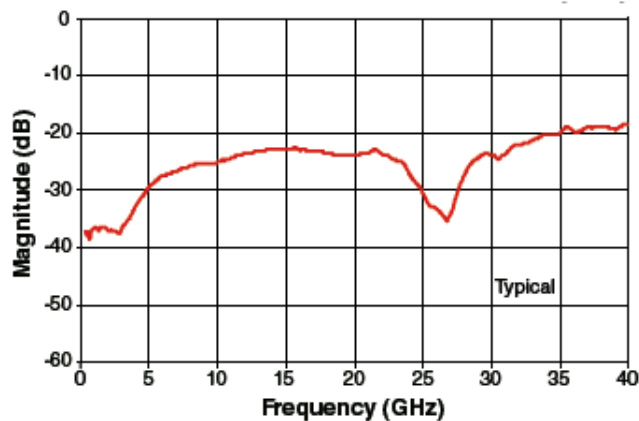
HOW TO ORDER

GL	N	3R3	K	A	T	1A
Series	Case Size	Inductance Code (μH) 3 significant digits for inductance R = Decimal point	Inductance Tolerance $\pm 10\%$	Failure Rate	Termination T = Tin Termination	Packaging 1A = Tape & Reel

Insertion Loss (S21)



Return Loss (S11)



Ultra-Broadband SMT Inductor



GLN6R0KAT1A

AVX, the industry leader, in introducing the new GLN Series High Frequency Ultra-Broadband Inductor (UBL). This unique component provides low insertion loss and an excellent match over multiple octaves of frequency spectrum.

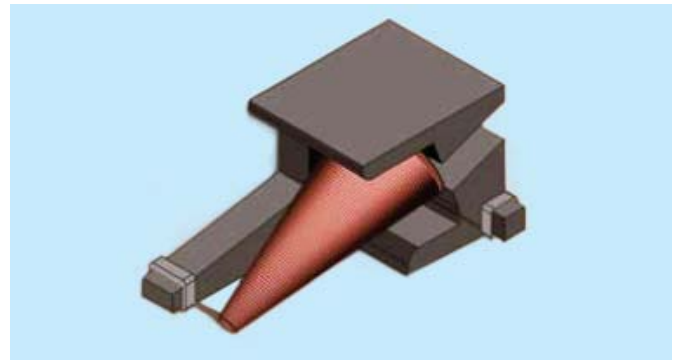
The GLN is ideal for ultra-broadband DC decoupling networks and bias tee applications in optical communications systems and equipment using high-speed digital logic.

FEATURES

- Operating Frequency: 700 KHz (-3 dB roll-off) through 40+ GHz typ.
- Insertion Loss (shunt mounted): ≤ 0.4 dB, typ.
- Return Loss (shunt mounted): > 48 dB, typ.
- Operating Temperature Range: -55°C to $+125^{\circ}\text{C}$
- Lead-Free, RoHs Compliant Terminations

ADVANTAGES

- Ultra-Broadband Performance
- Ultra-Low Insertion Loss
- Flat Frequency Response
- Excellent Return Loss Through 40 GHz
- Unit-to-Unit Performance Repeatability
- Rugged Powdered Iron Core



ELECTRICAL SPECIFICATION

- Inductance: $6.00 \mu\text{H}$, typ.
- Rated Current ($I_{\text{DC max.}}$): 236 mA^*
- Resistance ($I_{\text{DC max.}}$): 2.85Ω , typ. at $+20^{\circ}\text{C}$, 10 mA Current

*Current for 100°C Temperature rise

Notes:

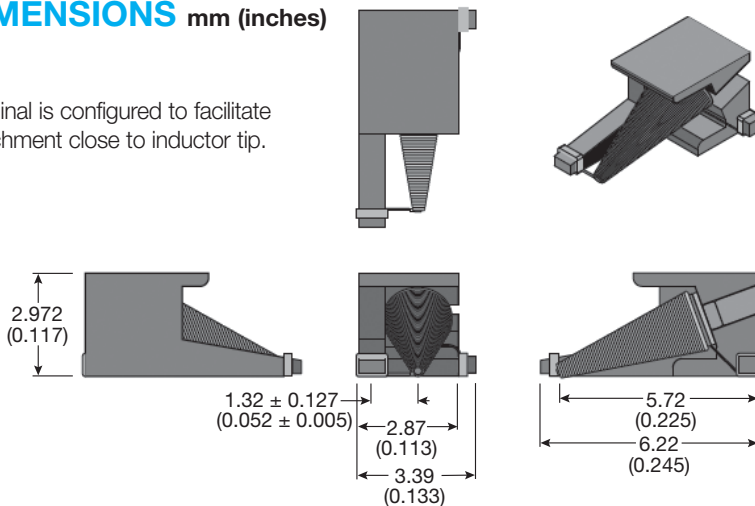
Inductance: measured at 1 MHz, 0.1 Vrms, 0 mA dc with HP4291A impedance analyser

Current Rating: based on a 100°C temperature rise from a 25°C ambient

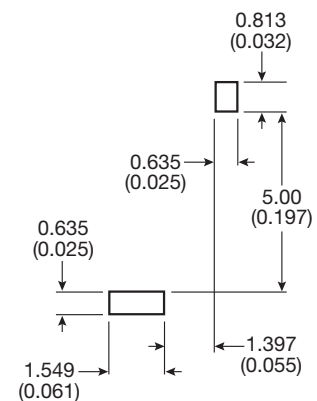
Wire: Copper, plated with gold $20 \mu\text{in}$. $\pm 5 \mu\text{in}$.

DIMENSIONS mm (inches)

Terminal is configured to facilitate attachment close to inductor tip.



RECOMMENDED FOOTPRINT



Size	Length (L)	Width (W)	Height (H)	Cu Wire Size (AWG)	Number of Times
N	6.223 (0.245)	3.378 (0.133)	2.972 (0.117)	44	78

Ultra-Broadband SMT Inductor

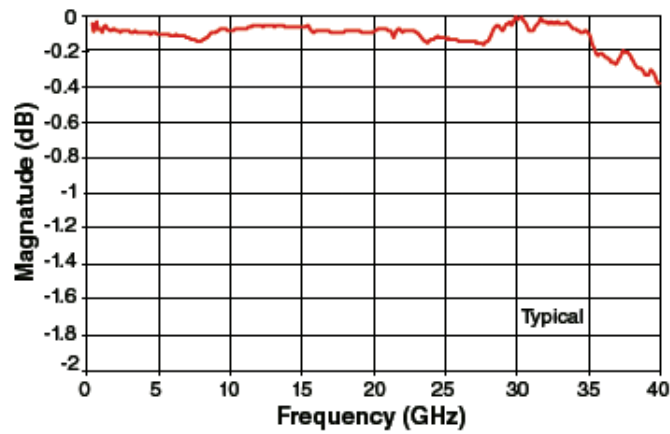


GLN6R0KAT1A

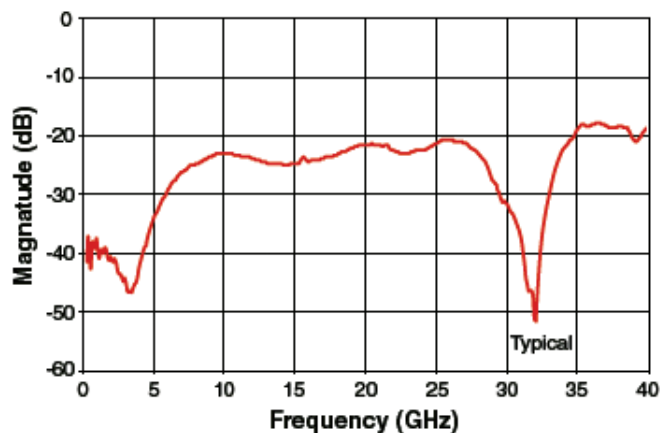
HOW TO ORDER

GL	N	6R0	K	A	T	1A
Series	Case Size	Inductance Code (μH) 3 significant digits for inductance R = Decimal point	Inductance Tolerance $\pm 10\%$	Failure Rate	Termination T = Tin Termination	Packaging 1A = Tape & Reel

Insertion Loss (S21)



Return Loss (S11)



Ultra-Broadband SMT Inductor



GLN10R7KAT1A

AVX, the industry leader, in introducing the new GLN Series High Frequency Ultra-Broadband Inductor (UBL). This unique component provides low insertion loss and an excellent match over multiple octaves of frequency spectrum.

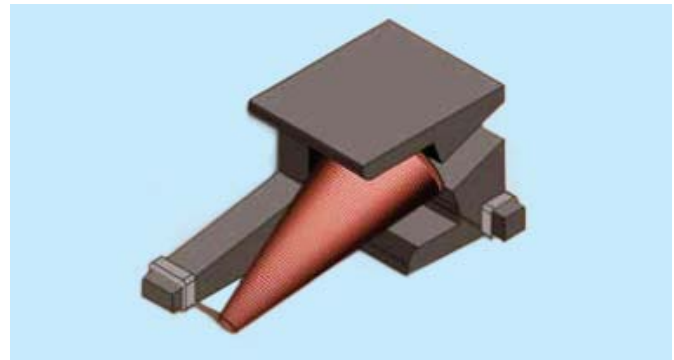
The GLN is ideal for ultra-broadband DC decoupling networks and bias tee applications in optical communications systems and equipment using high-speed digital logic.

FEATURES

- Operating Frequency: 400 KHz (-3 dB roll-off) through 40+ GHz typ.
- Insertion Loss (shunt mounted): ≤ 0.4 dB, typ.
- Return Loss (shunt mounted): > 17 dB, typ.
- Operating Temperature Range: -55°C to $+125^{\circ}\text{C}$
- Lead-Free, RoHs Compliant Terminations

ADVANTAGES

- Ultra-Broadband Performance
- Ultra-Low Insertion Loss
- Flat Frequency Response
- Excellent Return Loss Through 40 GHz
- Unit-to-Unit Performance Repeatability
- Rugged Powdered Iron Core



ELECTRICAL SPECIFICATION

- Inductance: $10.7 \mu\text{H} \pm 10\%$
- Rated Current ($I_{\text{DC max.}}$): 150 mA^*
- Resistance ($I_{\text{DC max.}}$): 7.10Ω , typ. at $+20^{\circ}\text{C}$, 10 mA Current

*Current for 100°C Temperature rise

Notes:

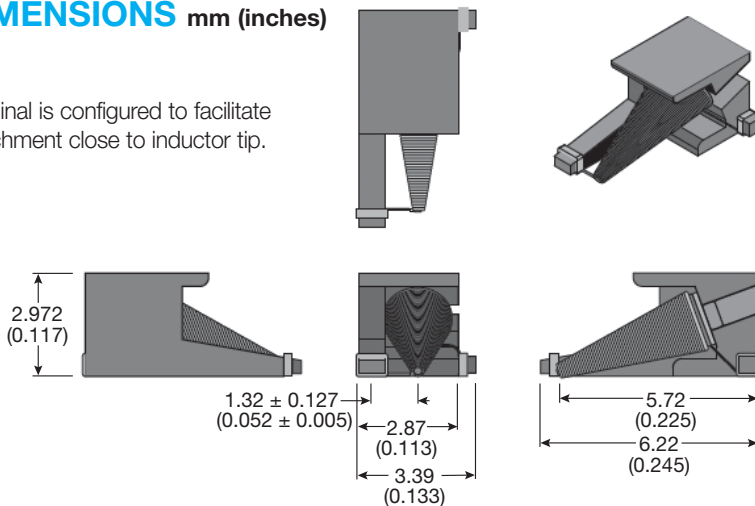
Inductance: measured at 1 MHz, 0.1 Vrms, 0 mA dc with HP4291A impedance analyser

Current Rating: based on a 100°C temperature rise from a 25°C ambient

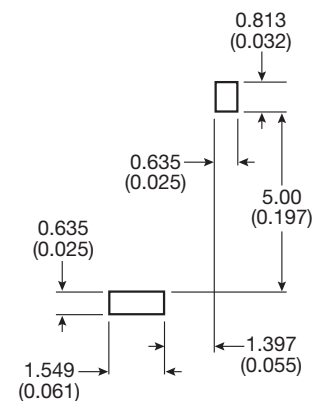
Wire: Copper, plated with gold $20 \mu\text{in.} \pm 5 \mu\text{in.}$

DIMENSIONS mm (inches)

Terminal is configured to facilitate attachment close to inductor tip.



RECOMMENDED FOOTPRINT



Size	Length (L)	Width (W)	Height (H)	Cu Wire Size (AWG)	Number of Times
N	6.223 (0.245)	3.378 (0.133)	2.972 (0.117)	47	110

Ultra-Broadband SMT Inductor

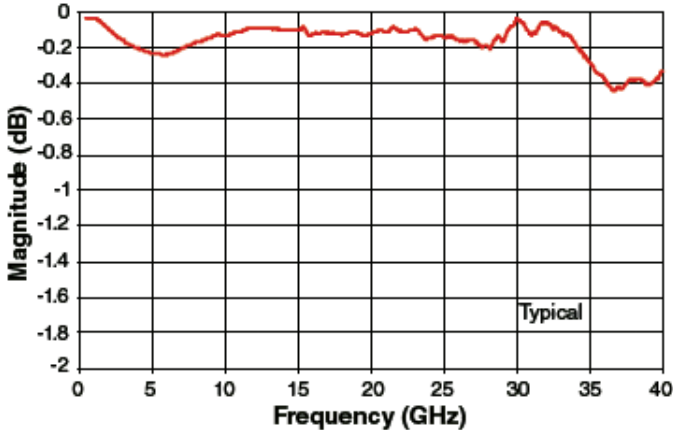


GLN10R7KAT1A

HOW TO ORDER

GL Series	N Case Size	10R7 Inductance Code (μH) 3 significant digits for inductance R = Decimal point	K Inductance Tolerance $\pm 10\%$	A Failure Rate	T Termination T = Tin Termination	1A Packaging 1A = Tape & Reel
--------------------------	----------------------------	---	---	-------------------------------	---	---

Insertion Loss (S21)



Return Loss (S11)

