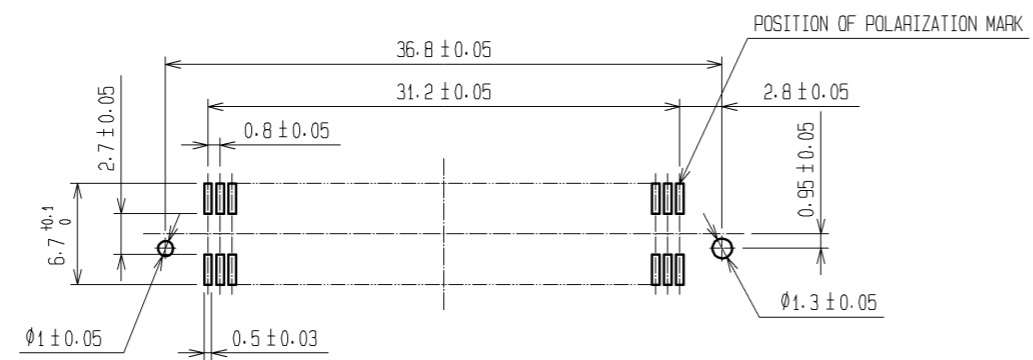


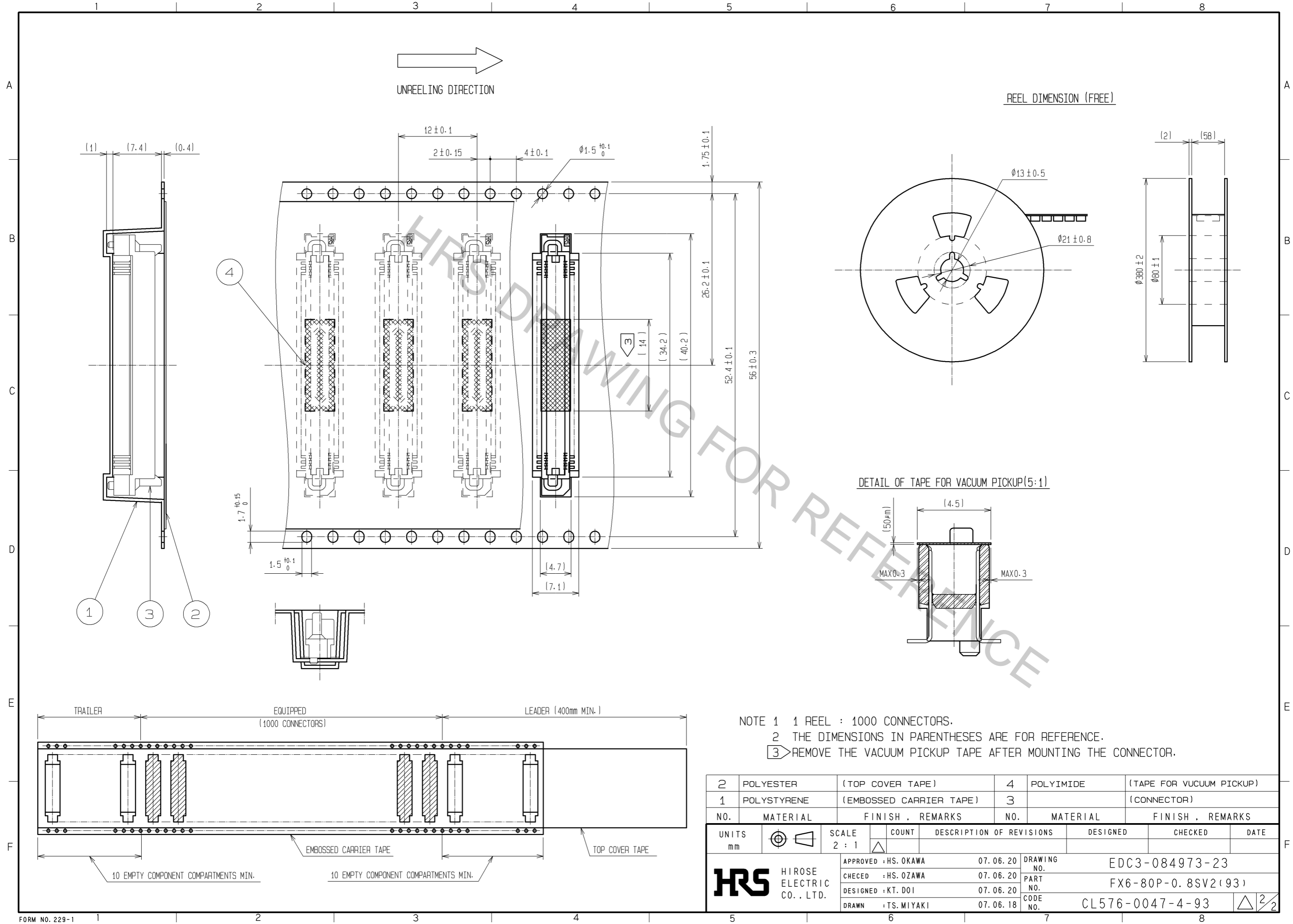
RECOMMENDED LAND PATTERN DIMENSION OF PCB(MOUNTING SIDE)



- NOTE
- 1 HRS MARK SHALL BE OPTIONAL.
 - 2 LEAD CO-PLANARITY SHALL BE 0.1mm MAX.
 - 3 EMBOSSED CARRIER TAPE PACKAGING SHALL BE APPLIED TO THIS PRODUCT. SEE NEXT PAGE FOR DETAILS.
 - 4 THIS PRODUCT HAS TAPE FOR VACUUM PICKUP. SEE NEXT PAGE FOR DETAIL OF STICKING POSITION, ETC.
 - 5 FOR MODIFICATION, ETC. PREVENTIVE HOLE FOR SINK MARK MAY BE ADDED ACCORDING TO CIRCUMSTANCES.
 - 6 THE DIMENSIONS IN PARENTHESES ARE FOR REFERENCE.

1	PPS	LIGHT BROWN (UL94V-0)	2	PHOSPHOR BRONZE	CONTACT AREA:GOLD 0.1μm min. LEAD AREA:TIN-PLATING 1μm min. UNDER PLATING:NICKEL 1μm min.		
NO.	MATERIAL	FINISH . REMARKS	NO.	MATERIAL	FINISH . REMARKS		
UNITS mm		SCALE 2 : 1	COUNT 	DESCRIPTION OF REVISIONS	DESIGNED	CHECKED	DATE
HRS HIROSE ELECTRIC CO., LTD.		APPROVED : HS. OKAWA	07.06.20	DRAWING NO.	EDC3-084973-23		
		CHECED : HS. OZAWA	07.06.20	PART NO.	FX6-80P-0.8SV2(93)		
		DESIGNED : KT. DOI	07.06.20	CODE NO.	CL576-0047-4-93		
		DRAWN : TS. MIYAKI	07.06.18		1/2		

Apr.1.2017 Copyright 2017 HIROSE ELECTRIC CO., LTD. All Rights Reserved.



2	POLYESTER	(TOP COVER TAPE)	4	POLYIMIDE	(TAPE FOR VUCUUM PICKUP)			
1	POLYSTYRENE	(EMBOSSED CARRIER TAPE)	3		(CONNECTOR)			
NO.	MATERIAL	FINISH . REMARKS	NO.	MATERIAL	FINISH . REMARKS			
UNITS mm		SCALE 2 : 1		COUNT	DESCRIPTION OF REVISIONS	DESIGNED	CHECKED	DATE
HRS HIROSE ELECTRIC CO., LTD.		APPROVED : HS. OKAWA	07.06.20	DRAWING NO.	EDC3-084973-23			
		CHECED : HS. OZAWA	07.06.20	PART NO.	FX6-80P-0.8SV2(93)			
		DESIGNED : KT. DOI	07.06.20	CODE NO.	CL576-0047-4-93			
		DRAWN : TS. MIYAKI	07.06.18		2/2			