

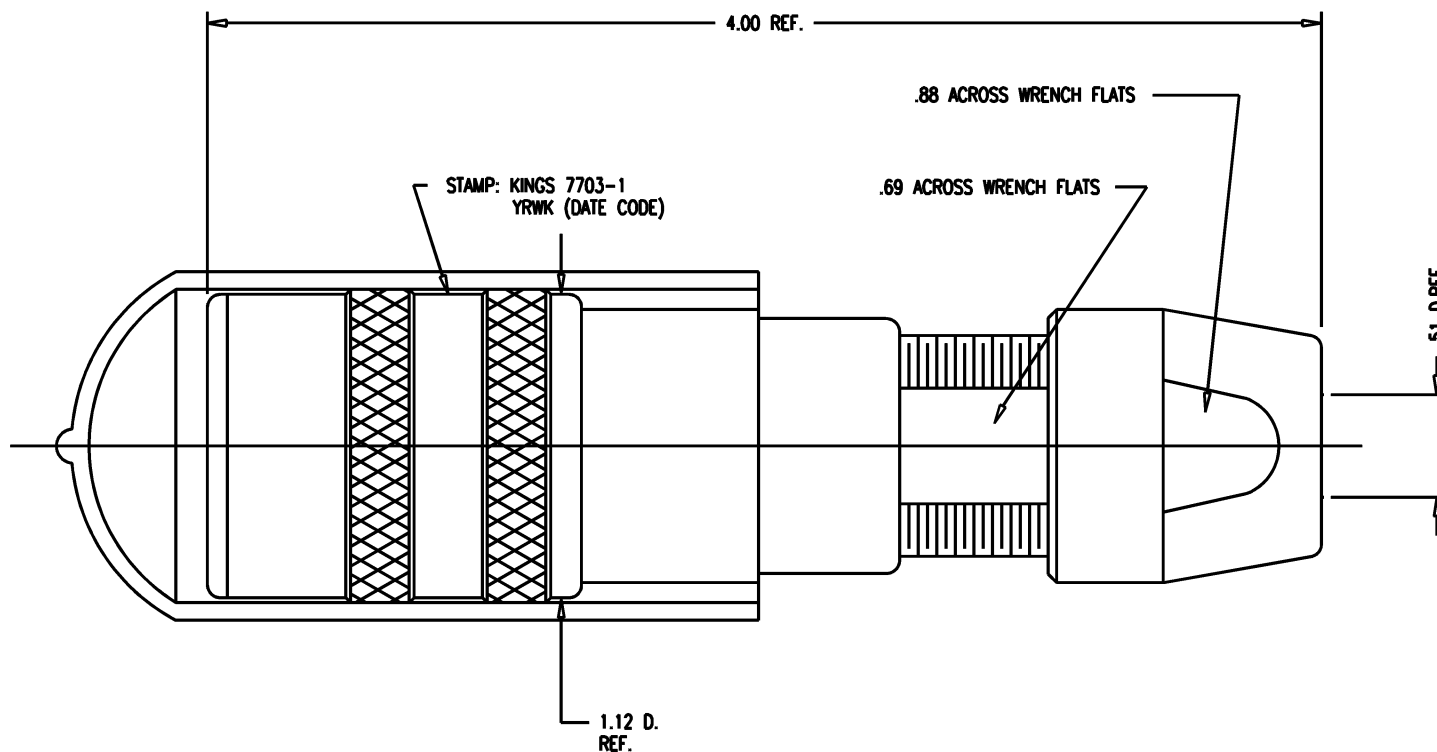
| | | |
|----------|--------|-----------|
| DASH NO. | M CODE | MADE FROM |
|----------|--------|-----------|

GSD

7703-1

REVISIONS

| ISSUE | CHANGES |
|-------|----------------------------|
| 0 | ER 35421 KH 04/10/95 |
| 1 | CN 37238 A KH 02/03/97 |
| 2 | CN 38583 C BDH 05/24/02 |



NOTES:

- FOR USE WITH 700 CABLE GROUP.
- FOR CABLING INSTRUCTIONS SEE KAI-8010.
- FOR CABLE TRIMMING USE KTJ-300 AND KTD-300.
- FOR CRIMPING USE DIE SIZE 2040.
- MATERIALS:
INSULATORS-TEFLON, ASTM-D-4894
GASKETS-SILICONE RUBBER, ZZ-R-765
CAP-VINYL
K-GRIP SLEEVE-COMMERCIAL BRONZE, ASTM-B-135
CENTER CONTACT
OUTER CONTACT SPRING } BER. COP., ASTM-B-196
INSERT
ALL OTHER METAL PARTS-BRASS, ASTM-B16

- FINISHES:
CENTER CONTACT } GOLD PLATE PER MIL-G-45204
OUTER CONTACT SPRING }
NUTS } KINGS TARNISH RESISTANT NICKEL FINISH (TR-5)
COLLET }
BODIES }
ALL OTHER METAL PARTS-SILVER PLATE PER QQ-S-365
- ELECTRICAL CHARACTERISTICS:
NOMINAL IMPEDANCE: 75 OHMS
FREQUENCY RANGE: DC-500 MHZ
VOLTAGE BREAKDOWN: CENTER CONDUCTOR/INNER GROUND: 1500 VRMS
INNER GROUND/OUTER GROUND: 500 VRMS

KAM5516

SCALE 2:1

APPROX SURFACE AREA

USED ON

REF: KP-8020-700-400

JK, TRI-LOC,
SERIAL DIGITAL

DRAWN KH DATE 04/10/95

DESIGN DW DATE 04/11/95

APPR. DATE

KINGS
ELECTRONICS CO., INC.
ROCK HILL, SOUTH CAROLINA 29730

GSD

7703-1