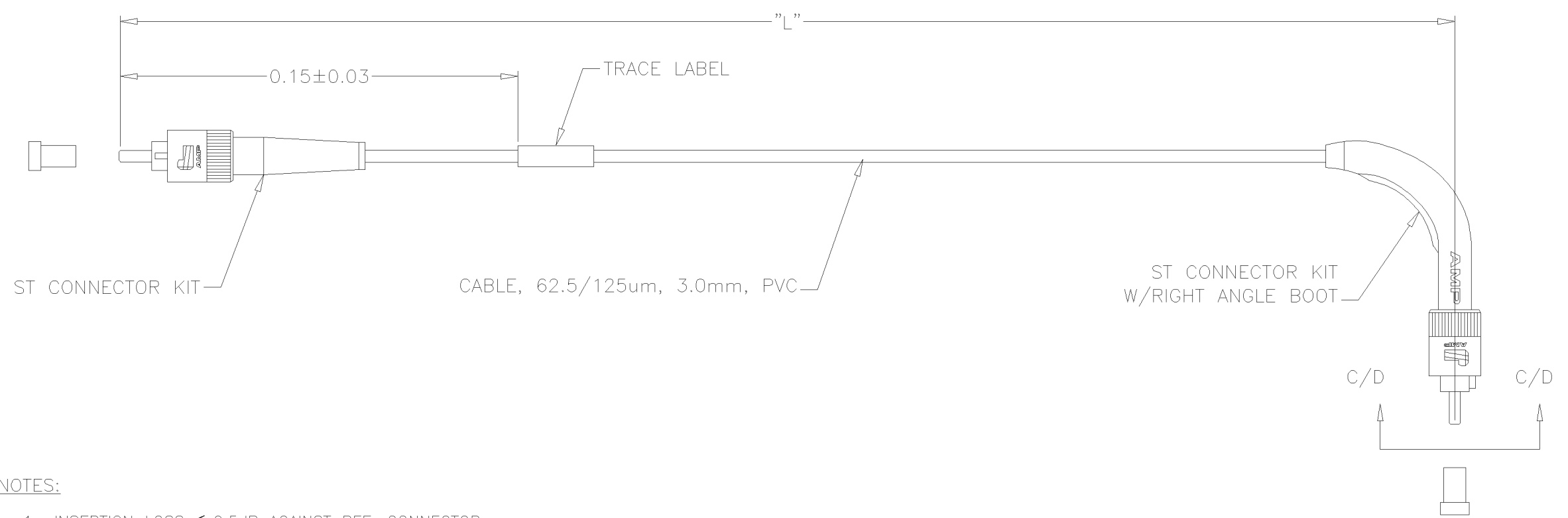


THIS DRAWING IS UNPUBLISHED. RELEASED FOR PUBLICATION
 © COPYRIGHT BY TYCO ELECTRONICS CORPORATION. ALL RIGHTS RESERVED.

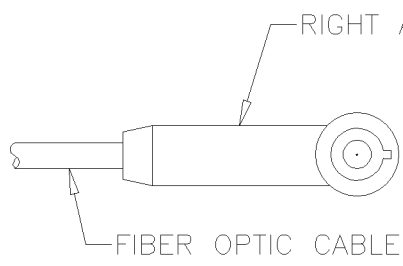
LOC HG	DIST -	REVISIONS			
P	LTR	DESCRIPTION	DATE	DWN	APVD
	A1	-	19DEC06	SBY	RZ



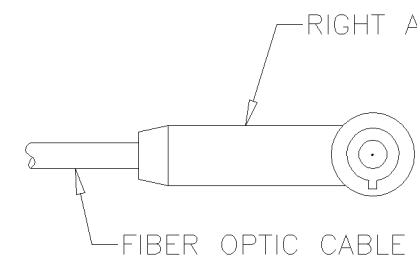
NOTES:

- INSERTION LOSS ≤ 0.5dB AGAINST REF. CONNECTOR
- CABLE INFO:
 - FIBER: 62.5/125um
 - OUTER DIAMETER: 3.0 mm
 - OUT SHEATH COLOR: ORANGE
 - OUTER SHEATH MATERIAL: PVC

PART NUMBER	L (METER)	KEY LOCATION PER DETAIL
6568352-2	2.0±0.02	D
6568352-3	3.0±0.1	D
1-6568352-7	17.0±0.3	D
2-6568352-0	20.0±0.3	C
2-6568352-5	25.0±0.3	C
3-6568352-5	35.0±0.3	C
4-6568352-0	40.2+1.2/-0	C
8-6568352-1	1.5±0.02	D
8-6568352-2	2.5±0.1	D



DETAIL C



DETAIL D

THIS DRAWING IS A CONTROLLED DOCUMENT.		DWN SHI BI YUN 12MAY06	tyco Electronics		Tyco Electronics Corporation Shanghai, China
DIMENSIONS: METERS		CHK ALLEN GUMP 12MAY06	NAME FOMM62.5 LEAD 3.0T ST - ST (RoHS)		
TOLERANCES UNLESS OTHERWISE SPECIFIED:		APVD RICHARD ZHAO 12MAY06	PRODUCT SPEC		
0 PLC ± -		APPLICATION SPEC			
1 PLC ± -		-			
2 PLC ± -		-			
3 PLC ± -		-			
4 PLC ± -		-			
ANGLES ± -		-			
MATERIAL		WEIGHT		SIZE A3	CAGE CODE 00779
-		-		DRAWING NO C-6568352	
CUSTOMER DRAWING				SCALE NTS	SHEET 1 OF 1
				REV A1	RESTRICTED TO -