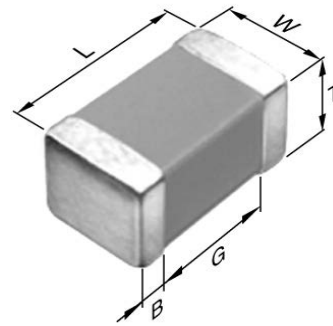


## Application & Main Feature

Commercial Grade ( Soft Termination )

## Series

C3216 [EIA CC1206]



## Dimensions

L	3.20mm +0.4,-0.2mm
W	1.60mm +0.3,-0.2mm
T	1.60mm +0.3,-0.2mm
B	0.20mm Min.
G	1.00mm Min.

## Temperature Characteristic

C0G (-55 to 125 degC 0+/-30ppm/degC)

## Rated Voltage

2E (250Vdc)

## Capacitance

15nF

## Capacitance Tolerance

J (+/-5%)

## Q Factor

1000 Min.

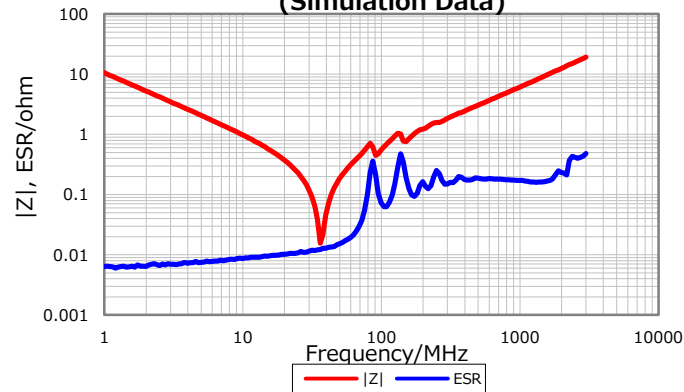
## Insulation Resistance

10Gohm Min

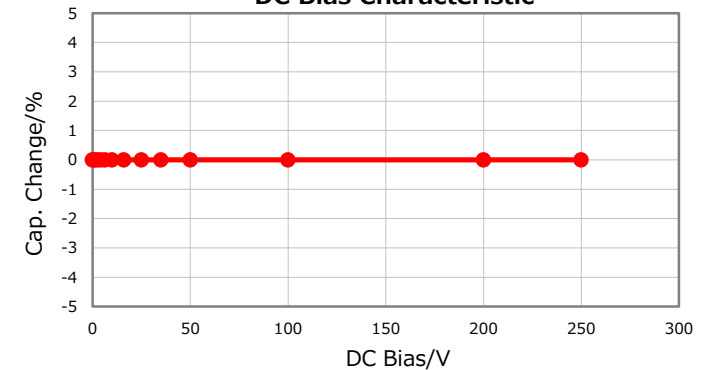
## AEC-Q200

Not Applicable

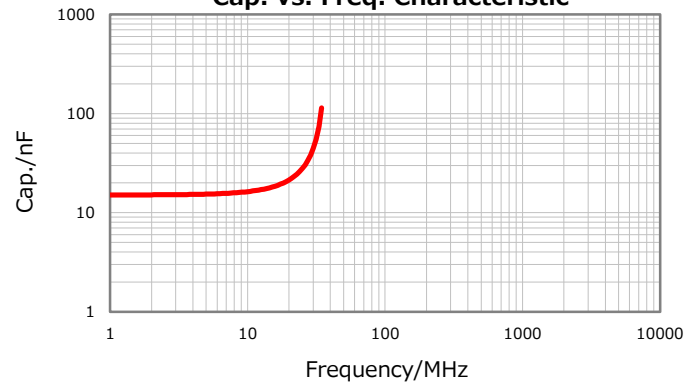
### |Z|, ESR vs. Freq. Characteristics (Simulation Data)



### DC Bias Characteristic



### Cap. vs. Freq. Characteristic



### Temperature Characteristics

