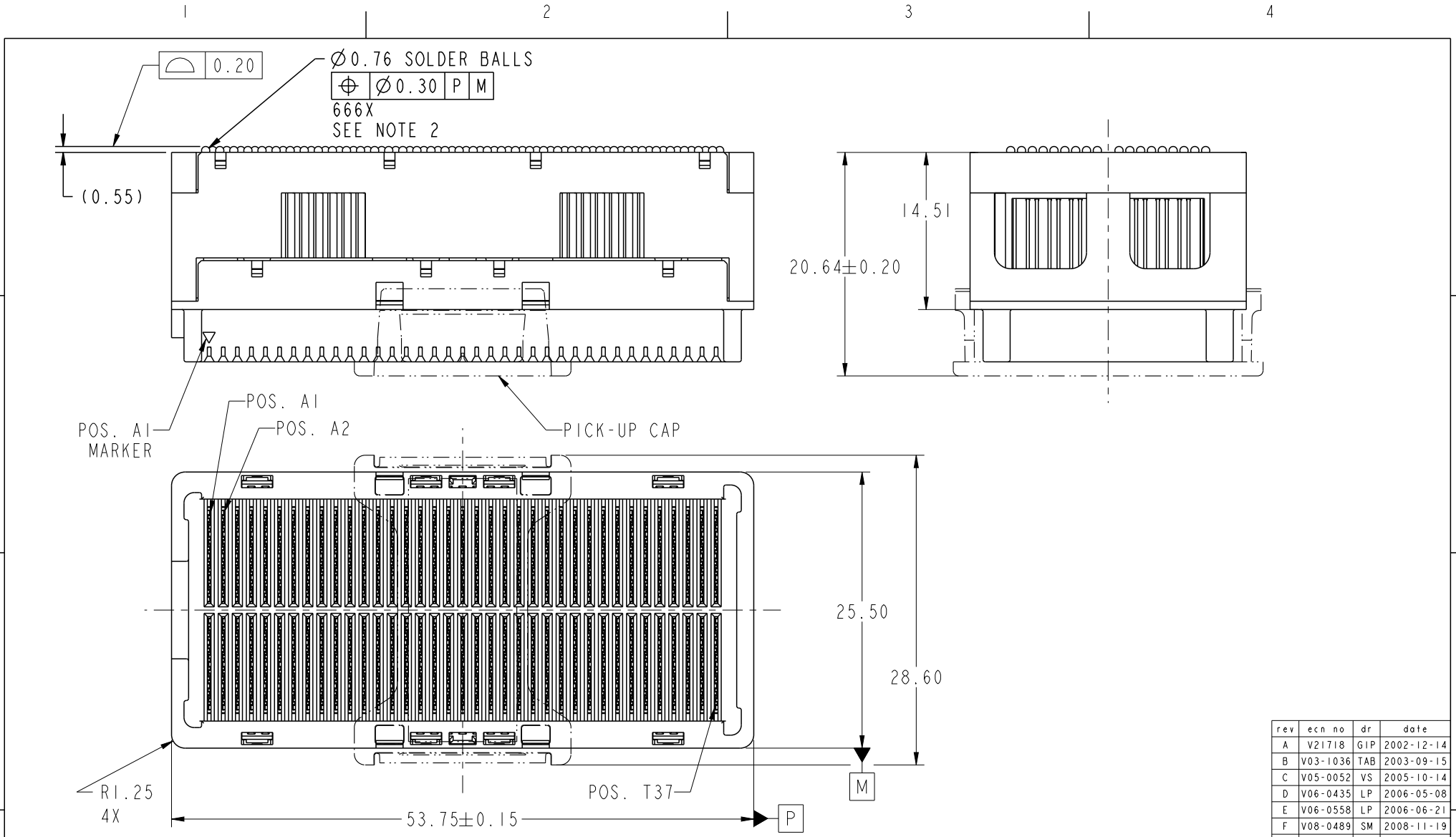




Copyright FCI.



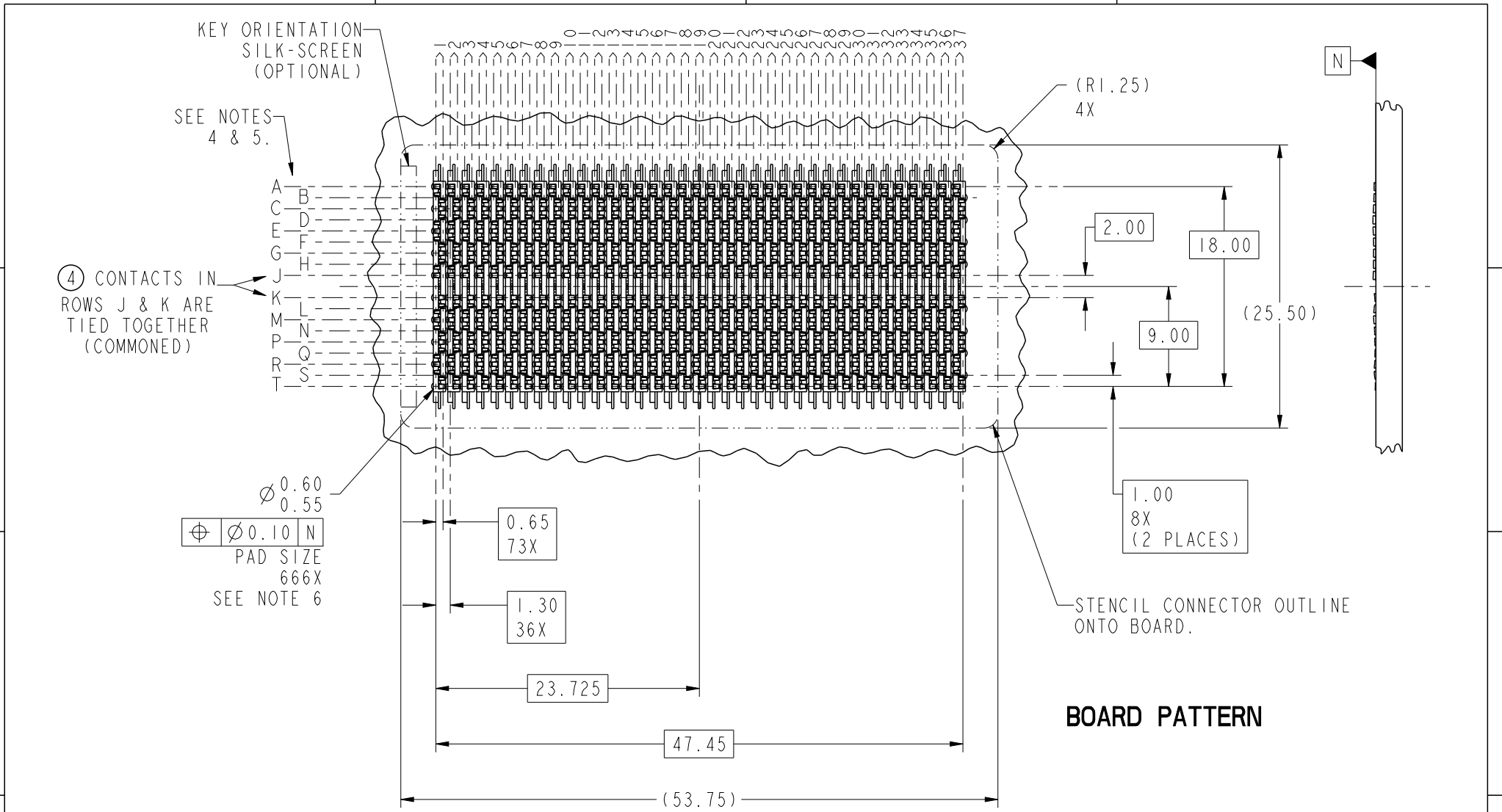
| rev | ecn no | dr | date |
|-----|----------|-----|------------|
| A | V21718 | GIP | 2002-12-14 |
| B | V03-1036 | TAB | 2003-09-15 |
| C | V05-0052 | VS | 2005-10-14 |
| D | V06-0435 | LP | 2006-05-08 |
| E | V06-0558 | LP | 2006-06-21 |
| F | V08-0489 | SM | 2008-11-19 |
| - | - | - | - |

| | | | | | | | | | | | | | | | |
|---------------|---------------------------------------|-----------|----------------|-------------|------------|-----------------------|-----------|-----------------|-----------|-------|-----------|----------|---|------------------------|--------------|
| spec ref | - | dr | Bill Lin | 2010/02/02 | projection | | mm | size | A4 | scale | 1:1 | | | | |
| tolerance std | TOLERANCES UNLESS OTHERWISE SPECIFIED | eng | Nickor Zuo | 2011/06/09 | | \longleftrightarrow | ecn no | ELX-DG-003943-1 | | | | | | | |
| - | | chr | Alex Cao | 2011/06/24 | | | | product family | GIG-Array | | rel level | Released | | | |
| - | | appr | Pei-Ming Zheng | 2011/06/27 | | | | product family | GIG-Array | | rel level | Released | | | |
| surface | 3.2 | linear | 0.X | ± 0.30 | | title | GIG-Array | dwg no | 55733 | rev | G | | | | |
| | | | 0.XX | ± 0.10 | | | | | | | | cat. no. | - | Product - Customer Drw | sheet 1 of 5 |
| | | | 0.XXX | ± 0.05 | | | | | | | | | | | |
| ASME Y14.5 | angular | 0° | $\pm 2^\circ$ | www.fci.com | | | | | | | | | | | |

PrdE File - REV C - 2009-06-09



Copyright FCI.



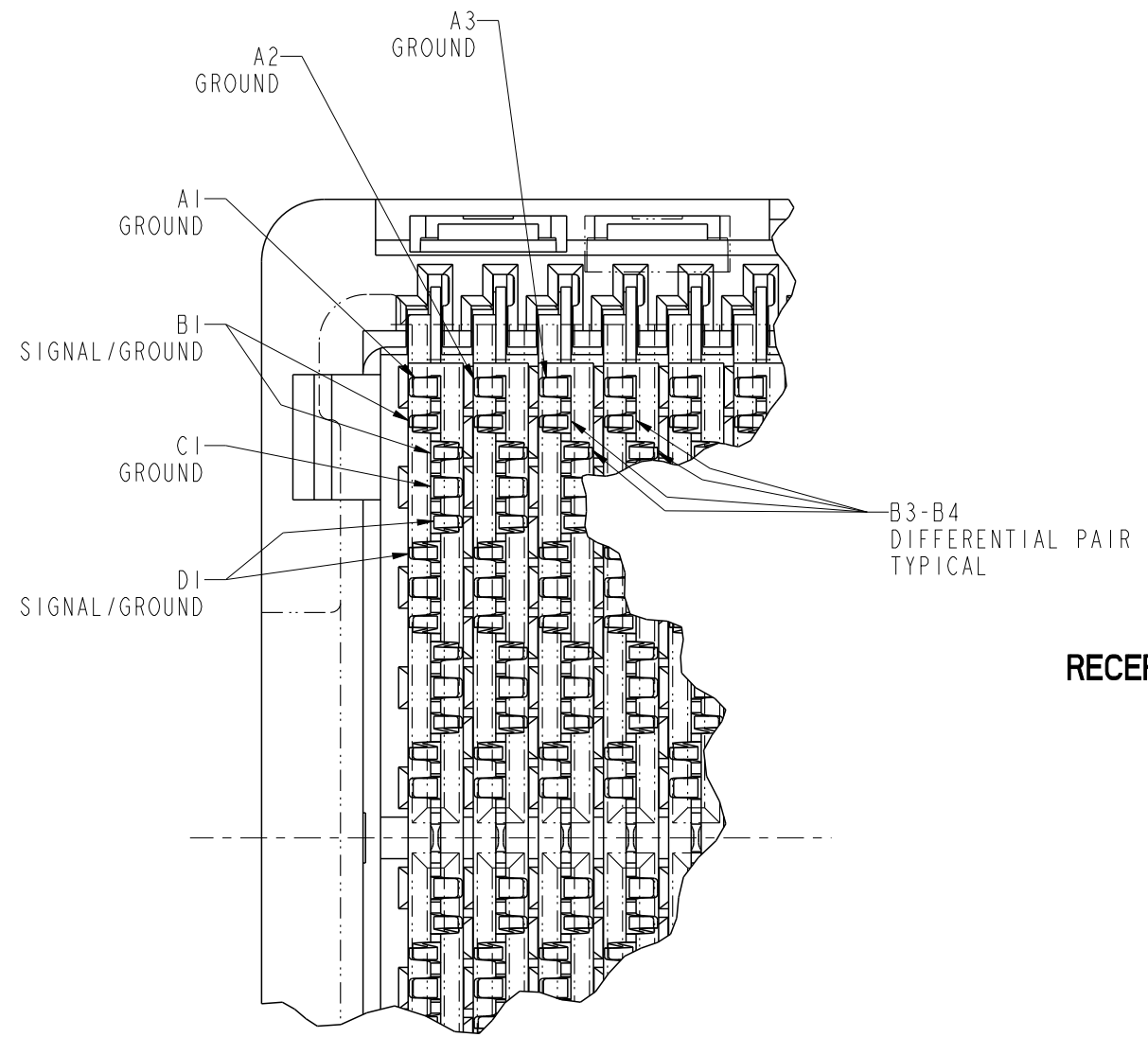
BOARD PATTERN

| | | | | | | | | | |
|-----------------|--|--|--|--------------------------|--|---|--|------------------------|--|
| spec ref - | | dr Bill Lin 2010/02/02 | | projection | | size A4 | | scale 1:1 | |
| tolerance std - | | eng Nickor Zuo 2011/06/09 | | | | mm | | ecn no ELX-DG-003943-1 | |
| - | | chr Alex Cao 2011/06/24 | | | | | | | |
| - | | appr Pei-Ming Zheng 2011/06/27 | | product family GIG-Array | | rel level Released | | - | |
| surface 3.2 | | linear | | | | title GIG-Array 15mm RECP. ASSY. 296 SIG. POS. | | dwg no 55733 | |
| ASME Y14.5 | | angular | | | | | | | |
| | | 0.X ±0.30 0.XX ±0.10 0.XXX ±0.05 | | www.fci.com | | cat. no. - | | Product - Customer Drw | |
| | | 0° ±2° | | | | sheet 2 of 5 | | | |

PrdE File - REV C - 2009-06-09



Copyright FCI.

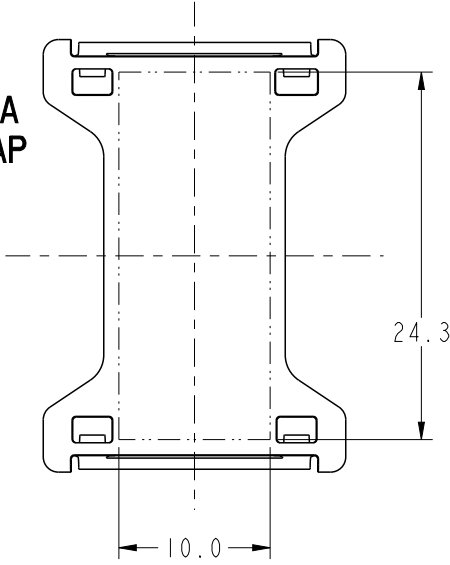


RECEPTACLE INTERFACE DESCRIPTION

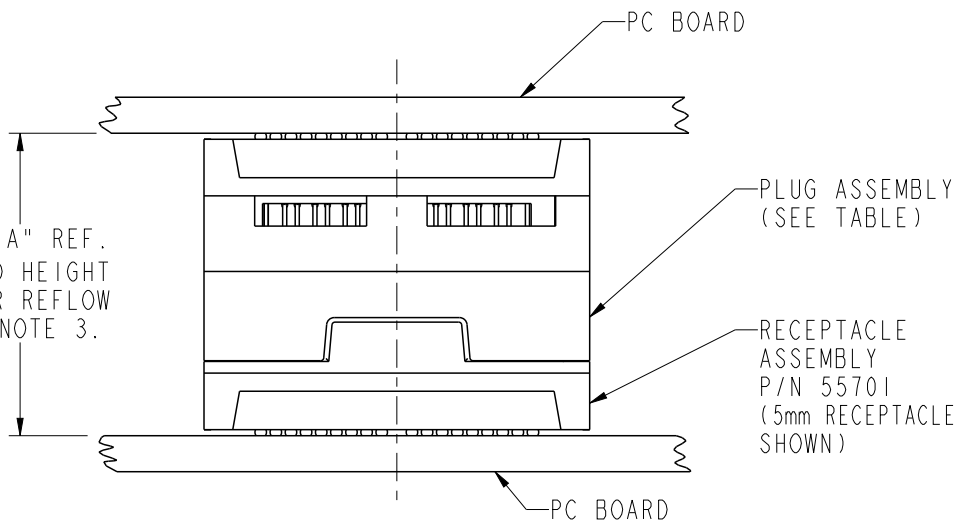
| | | | | | | | | | | | | | |
|---------------|------------|---------------------------------------|-------|-------|----------------|--------------------------------|----------------|--------|----------------|------------------------|-----------|--------------|----------|
| spec ref | | - | | dr | Bill Lin | 2010/02/02 | projection | mm | size | A4 | scale | 1:1 | |
| tolerance std | | TOLERANCES UNLESS OTHERWISE SPECIFIED | | eng | Nickor Zuo | 2011/06/09 | | | ecn no | ELX-DG-003943-1 | | | |
| - | | - | | chr | Alex Cao | 2011/06/24 | | | product family | | GIG-Array | rel level | Released |
| - | | - | | appr | Pei-Ming Zheng | 2011/06/27 | | | title | | GIG-Array | dwg no | 55733 |
| surface | 3.2 | linear | 0.X | ±0.30 | | cat. no. | | - | | Product - Customer Drw | | sheet 3 of 5 | |
| | | | 0.XX | ±0.10 | | 15mm RECP. ASSY. 296 SIG. POS. | | | | | | | |
| | | | 0.XXX | ±0.05 | | www.fci.com | | | | | | | |
| | ASME Y14.5 | angular | 0° | ±2° | | | | | | | | | |

PreE File - REV C - 2009-06-09

**FLAT AREA
PICK-UP CAP**
SCALE 2:1



DIM "A" REF.
MATED HEIGHT
AFTER REFLOW
SEE NOTE 3.



END VIEW OF MATED CONNECTORS
SCALE 2:1

| DIM. "A" | PLUG ASSEMBLY P/N |
|----------|-------------------|
| 25 | 55720 |
| 27 | 10026804 |
| 28 | 10008026 |
| 30 | 55700 |
| 35 | 55727 |
| 40 | 10054784 |



Copyright FCI.

| | | | | | | | |
|---|---------|---------------------------------------|---------------|--------------------------|---|---------------------------|--------------|
| spec ref - | | dr Bill Lin 2010/02/02 | | projection | mm | size A4 | scale 1:1 |
| tolerance std - | | eng Nickor Zuo 2011/06/09 | | | | ecn no ELX-DG-003943-1 | |
| - TOLERANCES UNLESS OTHERWISE SPECIFIED | | chr Alex Cao 2011/06/24 | | | | rel level Released | |
| - | | appr Pei-Ming Zheng 2011/06/27 | | product family GIG-Array | | rev | |
| surface $\sqrt{3.2}$ ASME Y14.5 | linear | 0.X | ± 0.30 | | title GIG-Array 15mm RECP. ASSY. 296 SIG. POS. | dwg no 55733 | G |
| | | 0.XX | ± 0.10 | | | | |
| | | 0.XXX | ± 0.05 | | | | |
| | angular | 0° | $\pm 2^\circ$ | www.fci.com | cat. no. - | Product - Customer Drw | sheet 4 of 5 |

PrdE File - REV C - 2009-06-09

| PRODUCT NUMBER | SOLDER BALL COMPOSITION | CONTACT PLATING PERFORMANCE LEVEL |
|----------------|-------------------------|--|
| 55733-001 | STANDARD (EUTECTIC) | PERFORMANCE-BASED PLATING, QUALIFIED TO MEET THE REQUIREMENTS OF FCI PRODUCT SPECIFICATION GS-12-192, INCLUDING TELCORDIA CENTRAL OFFICE Au over Ni |
| 55733-001LF | LEADFREE | |
| 55733-201 | STANDARD (EUTECTIC) | |
| 55733-201LF | LEADFREE | |

NOTES:

- ① MATERIAL:
HOUSING: LCP
CONTACT: COPPER ALLOY
PLATING (CONTACT): Au OVER Ni.
UL RATING: 94 V-0
SOLDER BALL: (SEE TABLE) EUTECTIC SnPb OR LEADFREE 95.5 Sn/4Ag/0.5Cu
- ② SOLDER BALLS WILL NOT BE PERFECT SPHERICAL SHAPE DUE TO REFLOW ATTACHMENT.
- ③ MATED HEIGHT EFFECTED BY CUSTOMERS' PCB PAD SIZE, PLATING, SOLDER REFLOW PROFILE & SOLDER PASTE.
- ④ CONTACTS IN ROWS A,C,E,G,J,K,M,P,R AND T ARE SINGLE BEAM CONTACTS, TYPICALLY USED AS GROUND PINS.
(NOTE: CONTACTS IN ROWS J & K ARE TIED TOGETHER [COMMONED])
- ⑤ CONTACTS IN ROWS B,D,F,H,L,N,Q AND S ARE DUAL BEAM CONTACTS, TYPICALLY USED AS SIGNAL PINS.

NOTES CONTINUED

- ⑥ SPECIFIED POSITIONAL TOLERANCE DEFINES PAD TO PAD LOCATION WITHIN LAND PATTERN. POSITIONAL TOLERANCE OF LAND PATTERN TO FUDICIAL MARKS OR PCB DATUMS SHALL BE DEFINED BY CUSTOMER. FOR RECOMMENDED PRODUCT APPLICATION AND PCB DESIGN DETAILS, SEE DOC. NO. GS-20-016.
- ⑦ FOR PROPER APPLICATION FOLLOW FCI APPLICATION SPECIFICATION GS-20-033 LEADFREE SOLDER BALLS WILL NOT SOLDER PROPERLY IN A LEADED SOLDER PROCESS DUE TO A HIGHER REFLOW TEMPERATURE, LEADFREE PRODUCT IS THEREFORE NOT BACKWARDS COMPATIBLE WITH LEADED OR SOME SOLDERING APPLICATIONS. REFERENCE FCI APPLICATION SPECIFICATION.
- ⑧ THIS PRODUCT MEETS THE EUROPEAN UNION DIRECTIVES AND OTHER COUNTRY REGULATIONS AS DESCRIBED IN GS-22-008. PRODUCT MEETING WITH THIS DIRECTIVE IS IDENTIFIED IN THE LOT CODE NUMBER MARKED ON EACH PART BY HAVING AN "X" IN THE SEVENTH CHARACTER POSITION.



Copyright FCI.

| | | | | | | | | | | | | |
|---------------|---------------------------------------|--------|-------|-------|--------------------|--------------------------------|----------------|-----------|--------|-----------------|----------|-----|
| spec ref | - | | | dr | Bill Lin | 2010/02/02 | projection | mm | size | A4 | scale | 1:1 |
| tolerance std | TOLERANCES UNLESS OTHERWISE SPECIFIED | | | eng | Nickor Zuo | 2011/06/09 | | | ecn no | ELX-DG-003943-1 | | |
| - | | | | chr | Alex Cao | 2011/06/24 | | | | rel level | Released | |
| surface | 3.2 ASME Y14.5 | linear | 0.X | ±0.30 | FCI www.fci.com | title | | GIG-Array | dwg no | 55733 | rev | G |
| | | | 0.XX | ±0.10 | | 15mm RECP. ASSY. 296 SIG. POS. | | | | | | |
| | | | 0.XXX | ±0.05 | | cat. no. | - | | | | | |
| angular | | 0° | ±2° | | | | | | | | | |