

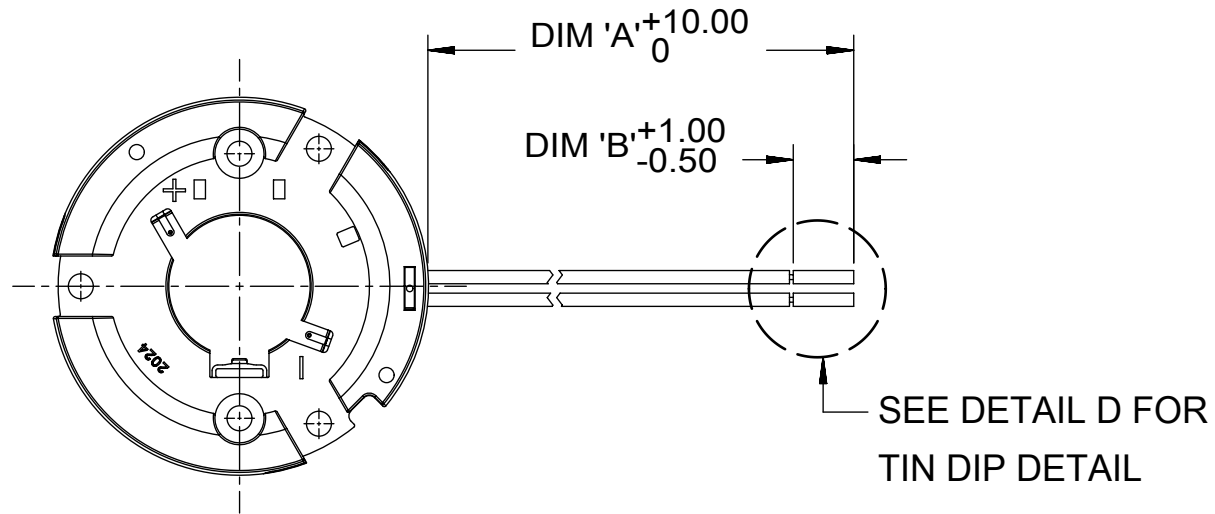
NOTES:

1. MATERIALS: HOUSING: POLYESTER (PBT), GLASS FILLED, UL94 V-0, COLOR: WHITE; TERMINALS: COPPER ALLOY. OPTIONAL: HEAT SHRINK TUBING
2. PLATING: TERMINAL CONTACT : SELECT GOLD (Au) OVER NICKEL (Ni).
3. WIRE SPECIFICATION: UL 3266, 125C, 300V, 20AWG
4. PRODUCT SPECIFICATION: PS-180555-002
5. PACKAGING SPECIFICATION: PK-180559-013 AND PK-180559-014.
6. APPLICATION SPECIFICATION: AS-180555-200.
7. DESIGNED TO BE USED WITH LUMILEDS COB 1204/1205/1208.
8. MOUNT HOLDER UTILIZING M3 SCREWS, TORQUE: 0.4 MINIMUM NEWTON METERS, 0.8 NEWTON METERS MAX.
9. UL 8754 RECOGNITION PENDING. FILE NUMBER: TBD
10. THIS PRODUCT IS ELV AND ROHS COMPLIANT
11. ALL DIMENSIONS IN PARENTHESIS (XX.XX) ARE FOR REFERENCE ONLY.

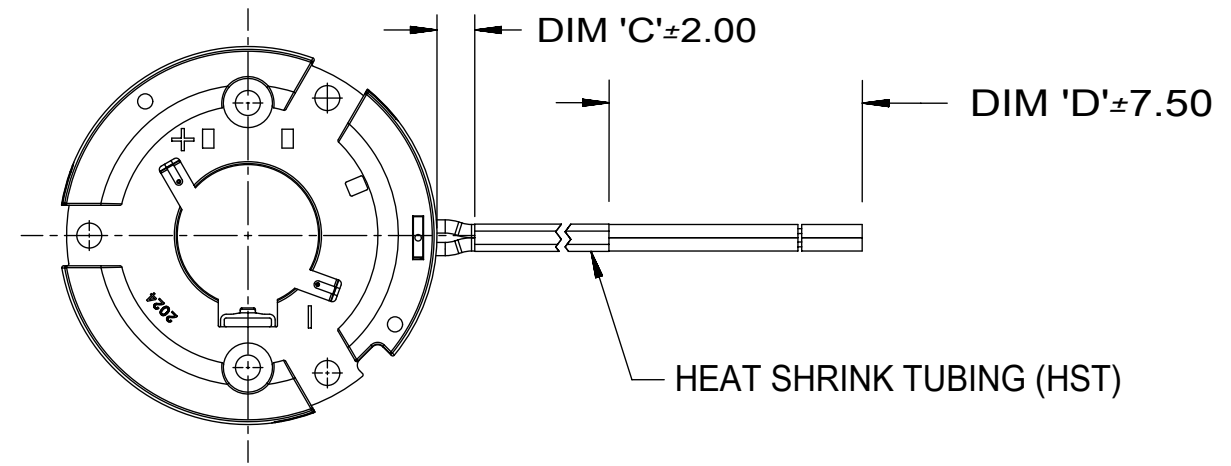
QUALITY SYMBOLS ▽ = 0 ▽ = 0 ▽ = 0 ▼ = 0 ▽ = 0 ⊠ = 0 ■ = 0 ▽ = 0	THIS DRAWING CONTAINS INFORMATION THAT IS PROPRIETARY TO MOLEX ELECTRONIC TECHNOLOGIES, LLC AND SHOULD NOT BE USED WITHOUT WRITTEN PERMISSION									
	EC NO: 108665 DRWN: LZABJANOVSKI CHKD: APPR: GMEYER	2016/09/08 2016/09/21	GENERAL TOLERANCES (UNLESS SPECIFIED)		DIMENSION UNITS	SCALE				
			ANGULAR TOL ± 0.5 °		MM	1:1				
			4 PLACES ±	3 PLACES ±	DRWN BY	DATE				
2 PLACES ± 0.25	1 PLACE ± 0.13	MDEVITO001	2015/06/11							
0 PLACES ±		DRAFT WHERE APPLICABLE MUST REMAIN WITHIN DIMENSIONS		CHK'D BY	DATE	SLIMRAY COB HOLDER ASSEMBLY 20MM X 24MM				
A4		REV	GMEYER	APPR BY	DATE	PRODUCT CUSTOMER DRAWING				
A4				DRAWING SIZE	THIRD ANGLE PROJECTION	SERIES	MATERIAL NUMBER	CUSTOMER		
				B		180555	SEE CHART	GENERAL MARKET		
						DOCUMENT NUMBER	DOC TYPE	DOC PART	SHEET NUMBER	
						SD-180555-141	PSD	000	1 OF 3	

RELEASE STATUS	RELEASE DATE
----------------	--------------

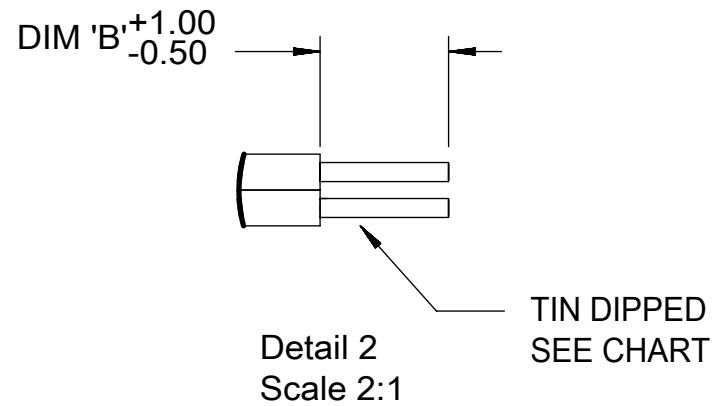
MOLEX PART NUMBER	DESCRIPTION	WIRE LENGTH	WIRE TYPE	FINISH	HEAT SHRINK TUBING	DIM. 'A'	DIM. 'B'	DIM. 'C'	DIM. 'D'
180555-1041	COB HOLDER W/O TUBING	600	STRANDED	TIN DIPPED	NO	600	8.5	X	X
180555-1043	COB HOLDER WITH HST	600	STRANDED	TIN DIPPED	YES (BLK)	600	8.5	5	22.5
180555-1044	COB HOLDER W/O TUBING	250	STRANDED	TIN DIPPED	NO	250	8.5	X	X
180555-1045	COB HOLDER W/O TUBING	700	STRANDED	TIN DIPPED	NO	700	8.5	X	X
180555-1048	COB HOLDER WITH HST	600	STRANDED	TIN DIPPED	YES (WHT)	600	8.5	5	22.5



COB HOLDER WITHOUT HEAT SHRINK TUBING



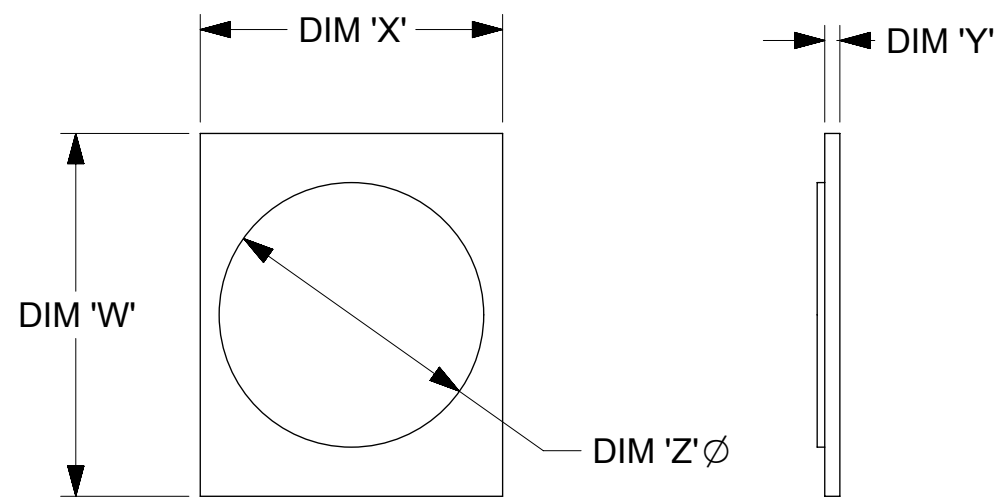
COB HOLDER WITH HEAT SHRINK TUBING



THIS DRAWING CONTAINS INFORMATION THAT IS PROPRIETARY TO MOLEX ELECTRONIC TECHNOLOGIES, LLC AND SHOULD NOT BE USED WITHOUT WRITTEN PERMISSION																
QUALITY SYMBOLS	EC NO: 108665 DRWN: LZABJANOVSKI CHKD: APPR: GMEYER	GENERAL TOLERANCES (UNLESS SPECIFIED)		DIMENSION UNITS	SCALE	 SLIMRAY COB HOLDER ASSEMBLY 20MM X 24MM										
		ANGULAR TOL ± 0.5 °		MM	1:1											
▽ = 0	A4 REV	4 PLACES ±	DRWN BY	DATE	PRODUCT CUSTOMER DRAWING											
▽ = 0		3 PLACES ±	MDEVITO001	2015/06/11												
▽ = 0		2 PLACES ± 0.25	CHK'D BY	DATE												
▼ = 0		1 PLACE ± 0.13	GMEYER	2015/06/12	SERIES: 180555 MATERIAL NUMBER: SEE CHART CUSTOMER: GENERAL MARKET											
▽ = 0		0 PLACES ±	APPR BY	DATE												
□ = 0	DRAFT WHERE APPLICABLE MUST REMAIN WITHIN DIMENSIONS		DRAWING SIZE	THIRD ANGLE PROJECTION	DOCUMENT NUMBER: SD-180555-141 DOC TYPE: PSD DOC PART: 000 SHEET NUMBER: 2 OF 3											
■ = 0			B													
▽ = 0																

RELEASE STATUS	RELEASE DATE
----------------	--------------

COB MFG	TYPE	DIM 'W'	DIM 'X'	DIM 'Y'	DIM 'Z'
LUMILEDS	LUXEON 1204/1205	24.0	20.0	1.0	15.5
LUMILEDS	LUXEON 1208	24.0	20.0	1.0	17.5
EVERLIGHT	EAHP2024W**	24.0	20.0	1.0	17.5



COB LED

QUALITY SYMBOLS	THIS DRAWING CONTAINS INFORMATION THAT IS PROPRIETARY TO MOLEX ELECTRONIC TECHNOLOGIES, LLC AND SHOULD NOT BE USED WITHOUT WRITTEN PERMISSION											
▽ = 0	EC NO: 108665 DRWN: LZABJANOVSKI CHK'D: APPR: GMEYER	2016/09/08 2016/09/21	GENERAL TOLERANCES (UNLESS SPECIFIED)		DIMENSION UNITS	SCALE						
▽ = 0			ANGULAR TOL ± 0.5 °		MM	NTS						
▽ = 0			4 PLACES ±	DRWN BY DATE		MDEVITO001					2015/06/11	
▼ = 0			DRAFT WHERE APPLICABLE MUST REMAIN WITHIN DIMENSIONS		3 PLACES ±	CHK'D BY DATE		SLIMRAY COB HOLDER ASSEMBLY 20MM X 24MM				
▽ = 0					2 PLACES ± 0.25	GMEYER						2015/06/12
⊠ = 0					1 PLACE ± 0.13	APPR BY DATE		PRODUCT CUSTOMER DRAWING				
■ = 0					0 PLACES ±	DRAWING SIZE	THIRD ANGLE PROJECTION		SERIES	MATERIAL NUMBER	CUSTOMER	
▽ = 0			A4		B			180555	SEE CHART	GENERAL MARKET		
							DOCUMENT NUMBER		DOC TYPE	DOC PART	SHEET NUMBER	
							SD-180555-141		PSD	000	3 OF 3	

RELEASE STATUS	RELEASE DATE
----------------	--------------