

4

3

2

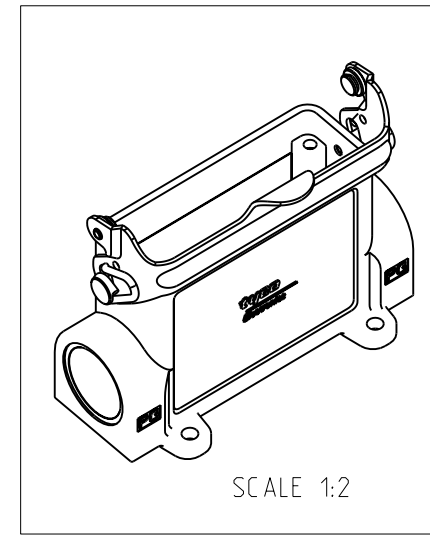
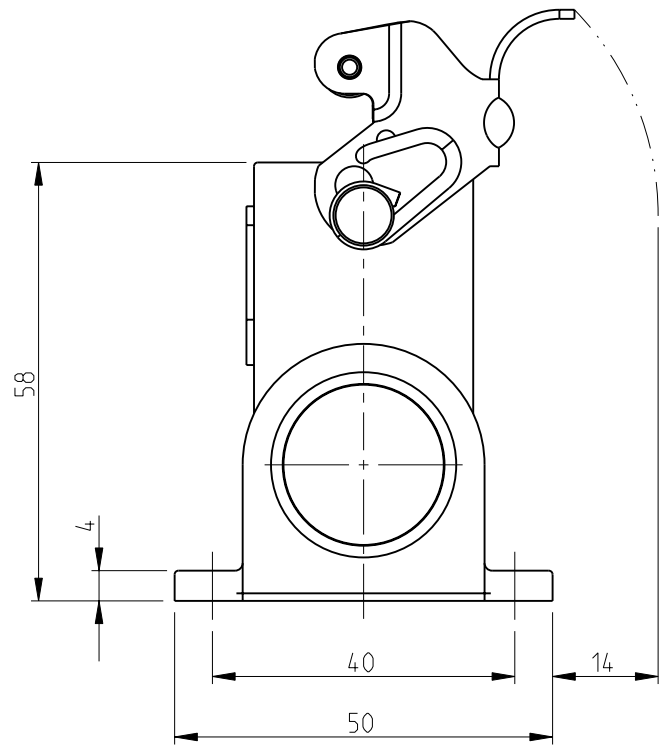
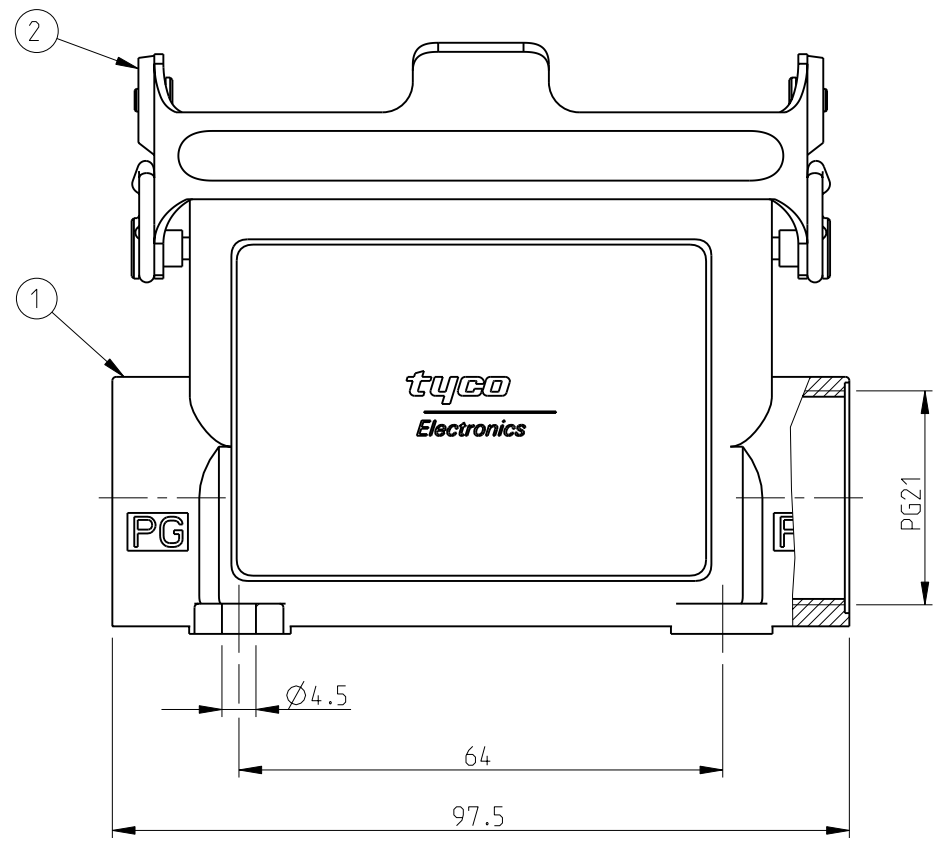
1

THIS DRAWING IS UNPUBLISHED. RELEASED FOR PUBLICATION 2000

© COPYRIGHT 2000 BY TYCO ELECTRONICS CORPORATION. ALL RIGHTS RESERVED.

| LOC | DIST | REVISIONS   |                               |             |      |    |
|-----|------|-------------|-------------------------------|-------------|------|----|
| P   | LTR  | DESCRIPTION | DATE                          | DWN         | APVD |    |
| A1  | -    | B2          | RELEASED AS PER ECR-09-005653 | 11.MAR.2009 | GG   | TS |

- NOTES:
- ① MATERIAL: SEE TABLE
  - ② SURFACE: SEE TABLE
  - 3 VARNISH ON THE INSIDE NOT NECESSARY
  - 4 PACKAGING QUANTITY: 5 PIECES PER BOX



PN 1-2 AS SHOWN

| 1-2 | DESCRIPTION                        | MATERIAL  | SURFACE     | COLOR | ITEM NO. | REMARKS |
|-----|------------------------------------|-----------|-------------|-------|----------|---------|
| 1   | SIDE CLIP                          | STEEL     | ZINC PLATED | BLUE  | 2        |         |
| 1   | SURFACE MOUNTED HOUSING SIDE ENTRY | ALUMINIUM |             | GREY  | 1        |         |

ORDERING TEXT  
HD25.SG-LB.1.21.Z

|  |  |   |           |  |                      |
|--|--|---|-----------|--|----------------------|
| <small>THIS DRAWING IS A CONTROLLED DOCUMENT FOR TYCO ELECTRONICS CORPORATION. IT IS SUBJECT TO CHANGE AND THE CONTROLLING ENGINEERING ORGANIZATION SHOULD BE CONTACTED FOR THE LATEST REVISION.</small> |  | DWN S.KUMAR 4/24/2006<br>CHK P.BENNUR 4/24/2006<br>APVD T.SCHNURPFEL 4/24/2006                            |           | Tyco Electronics,AMP.GmbH<br>53757.SanktAugustin.Germany     |                      |
| DIMENSIONS:<br>mm  |  | TOLERANCES UNLESS OTHERWISE SPECIFIED:<br>0 PLC ±<br>1 PLC ±<br>2 PLC ±<br>3 PLC ±<br>4 PLC ±<br>ANGLES ± |           | NAME SURFACE MOUNTED HOUSING SIDE ENTRY<br>HD25.SG-LB.1.21.Z |                      |
| MATERIAL ①   |  | FINISH ②  |           | PRODUCT SPEC -<br>APPLICATION SPEC -<br>WEIGHT -             |                      |
| CUSTOMER DRAWING   |  |   | SIZE A3   | CAGE CODE 00779  | DRAWING NO ©=1102545 |
|  |  |   | SCALE 1:1 | SHEET 1 OF 1   | REV B2               |