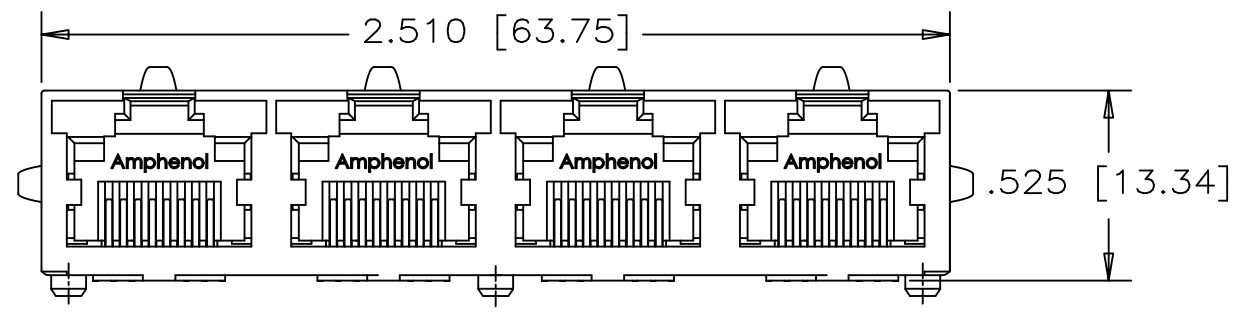
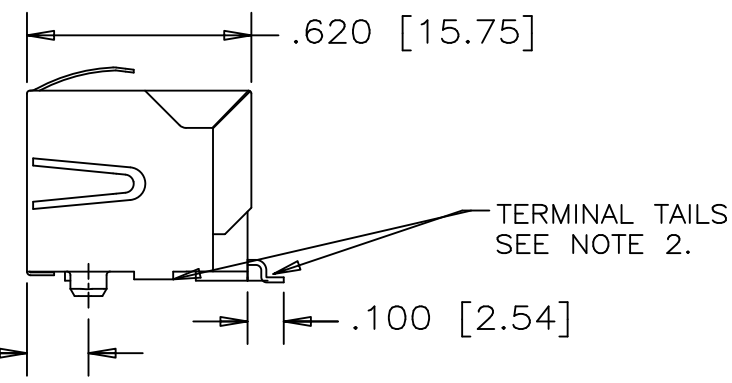


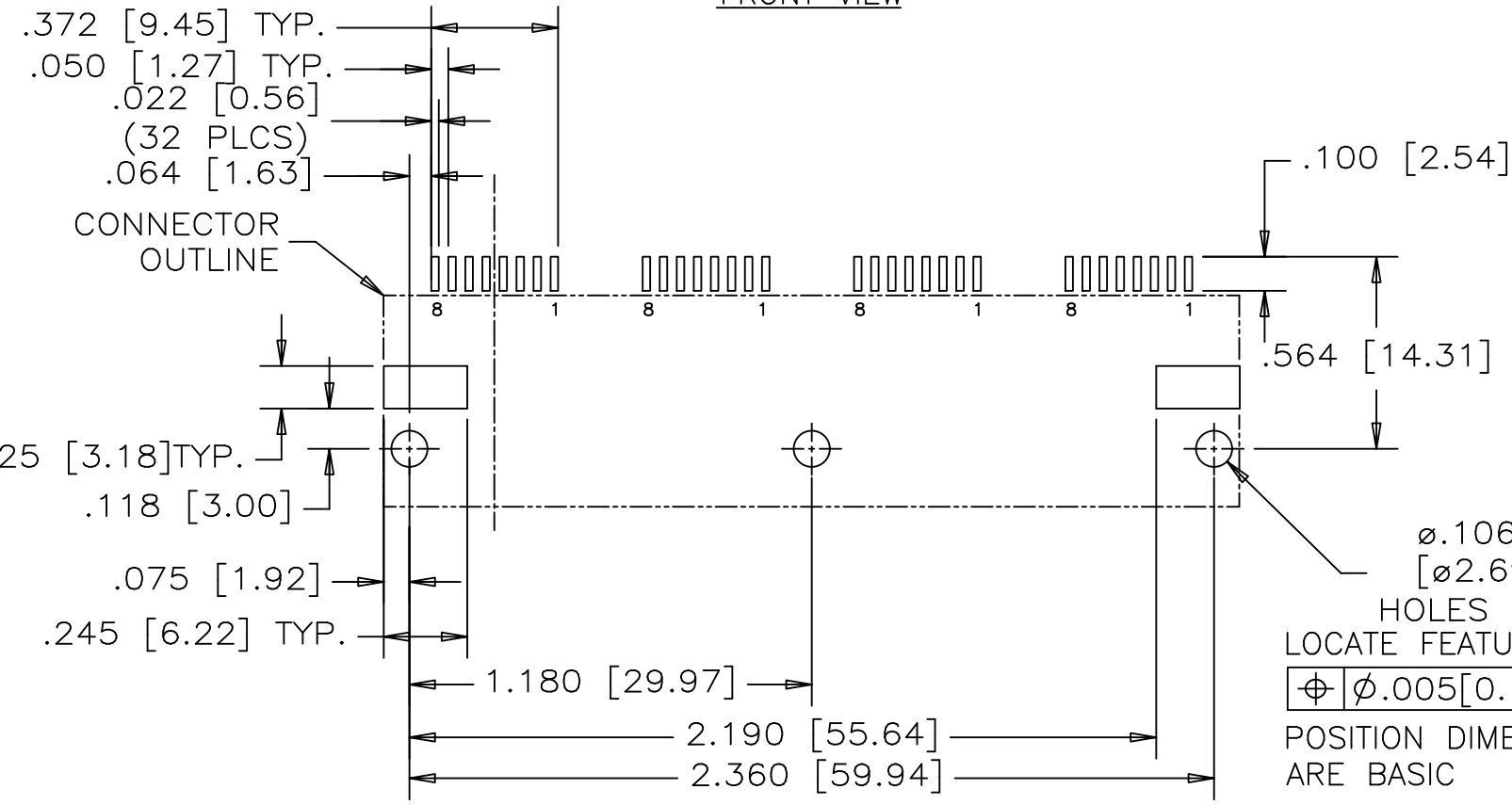
REVISIONS				
SYM	ZONE	ECN, ERN NO.	DATE	APPRD.
A		PROPOSAL	AUG14/12	L.CHAN
B		ADD PACKAGING SPEC	SEP28/12	L.CHAN



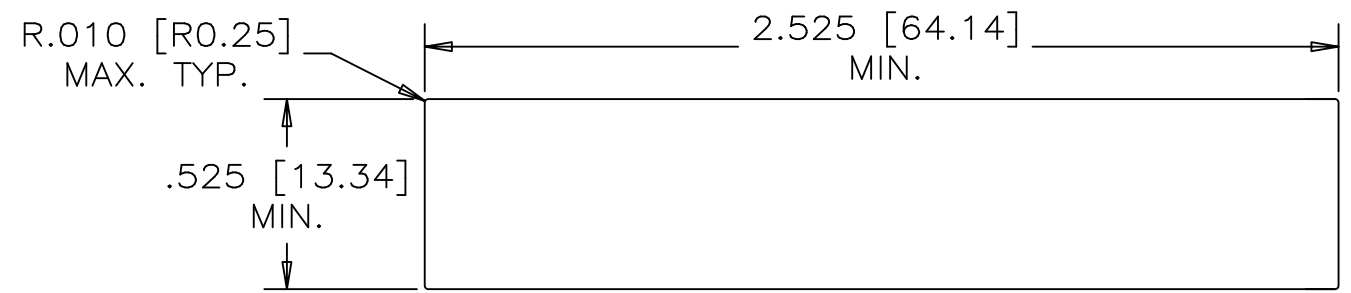
FRONT VIEW



SIDE VIEW



RECOMMENDED P.C.B. LAYOUT
(COMPONENT SIDE OF BOARD)



RECOMMENDED PANEL CUTOUT

1. MATERIALS:
- PLASTIC HOUSING: HIGH TEMPERATURE THERMOPLASTIC
FLAMMABILITY RATING UL 94V-0
COLOR: BLACK
 - CONTACTS: PHOSPHOR BRONZE
PLATING: 20 μ " [0.51 MICRONS]
MIN. GOLD ON MATING SURFACES.
50 μ " [1.27 MICRONS]
MIN. NICKEL UNDERPLATE
100 μ " [2.54 MICRONS]
MIN. MATTE TIN ON CONTACT TAILS.
 - SHIELD: COPPER ALLOY WITH PLATED NICKEL

2. COPLANARITY SPECIFICATION:
WITH THE MODULAR JACK SITTING ON A LEVEL SURFACE, THE MAXIMUM GAP BETWEEN THE LEVEL SURFACE OF SHIELD TAB AND ALL TERMINAL TAILS IS .004 [0.10].

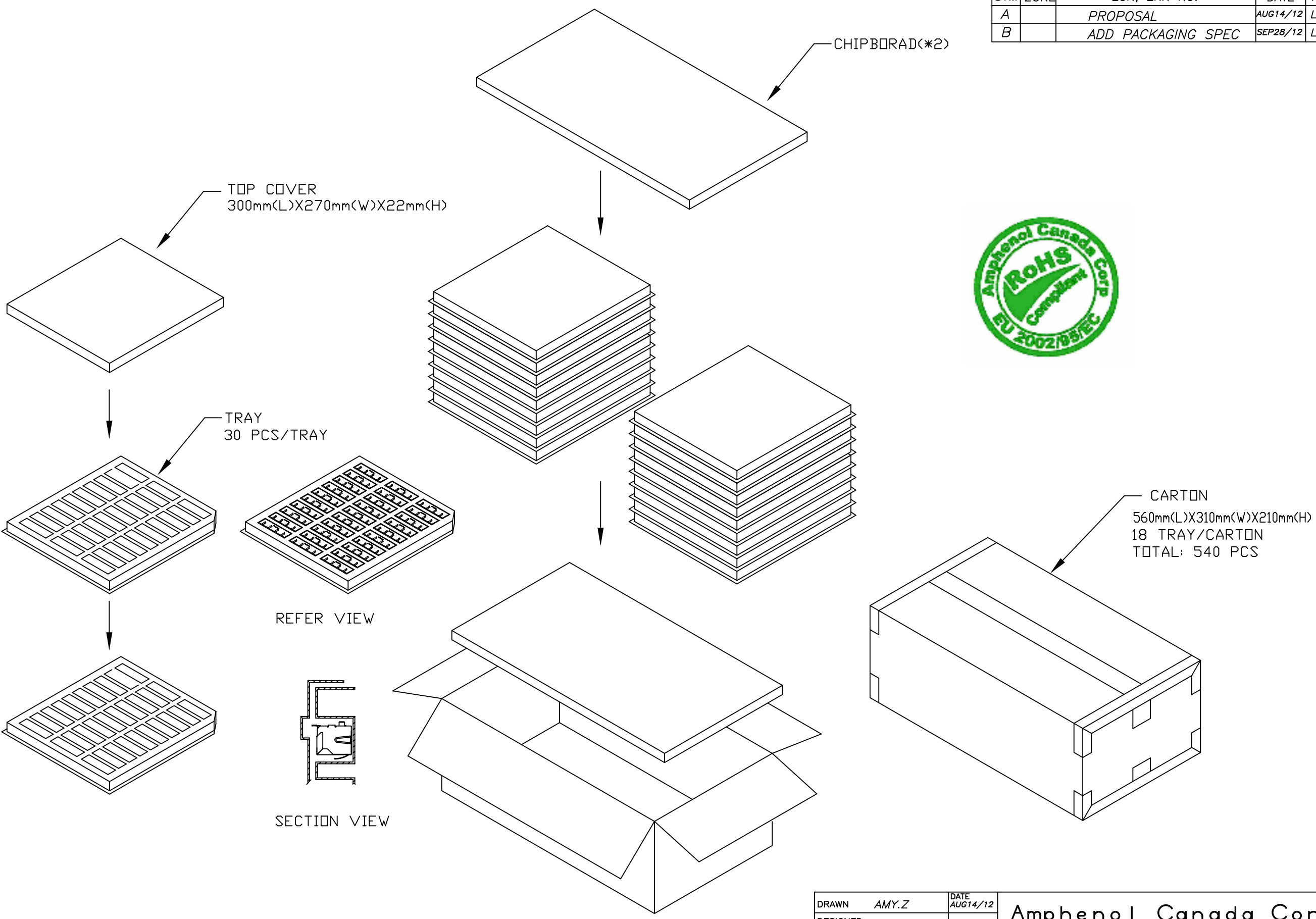
PART NUMBER: RJSSE-5580-04



DRAWN	AMY.Z	DATE	AUG14/12	Amphenol Canada Corp.	
DESIGNED					
CHECKED	L.CHAN	DATE	AUG14/12	TITLE	
I. E. APPRD.				SURFACE MOUNT,RJ45 MODULAR JACK, 8 POSITION, 8 CONTACTS,SHIELDED,WITH FLATTEN BOTTOM TAB, WITHOUT LEDs-ROHS COMPLIANT	
Q. A. APPRD.				DWG	DRAWING NO.
DWG. APPRD.					P-RJSSE-5580-04
ENG. REL. NO.				REV.	B
REF.	EAR RJ12097			SCALE	
DIMENSIONS ARE IN	INCHES [mm]	CODE ID. NO.	03554	WT.	SURF.
				SHEET 1 OF 2	

THIS DOCUMENT CONTAINS PROPRIETARY INFORMATION AND SUCH INFORMATION MAY NOT BE DISCLOSED TO OTHERS FOR ANY PURPOSE OR USED FOR MANUFACTURING PURPOSES WITHOUT WRITTEN PERMISSION FROM AMPHENOL CANADA CORP.

REVISIONS				
SYM	ZONE	ECN, ERN NO.	DATE	APPRD.
A		PROPOSAL	AUG14/12	L.CHAN
B		ADD PACKAGING SPEC	SEP28/12	L.CHAN



THIS DOCUMENT CONTAINS PROPRIETARY INFORMATION AND SUCH INFORMATION MAY NOT BE DISCLOSED TO OTHERS FOR ANY PURPOSE OR USED FOR MANUFACTURING PURPOSES WITHOUT WRITTEN PERMISSION FROM AMPHENOL CANADA CORP.

DRAWN	AMY.Z	DATE	AUG14/12	Amphenol Canada Corp.	
DESIGNED					
CHECKED	L.CHAN	DATE	AUG14/12	TITLE	
I. E. APPRD.				SURFACE MOUNT,RJ45 MODULAR JACK, 8 POSITION, 8 CONTACTS,SHIELDED,WITH FLATTEN BOTTOM TAB, WITHOUT LEDs-ROHS COMPLIANT	
Q. A. APPRD.				DWG	DRAWING NO.
DWG. APPRD.					P-RJSSE-5580-04
ENG. REL. NO.				REV.	B
REF.	EAR RJ12097			SCALE	WT. ----- SURF. ----- SHEET 2 OF 2
DIMENSIONS ARE IN	INCHES [mm]	CODE ID. NO.	03554		