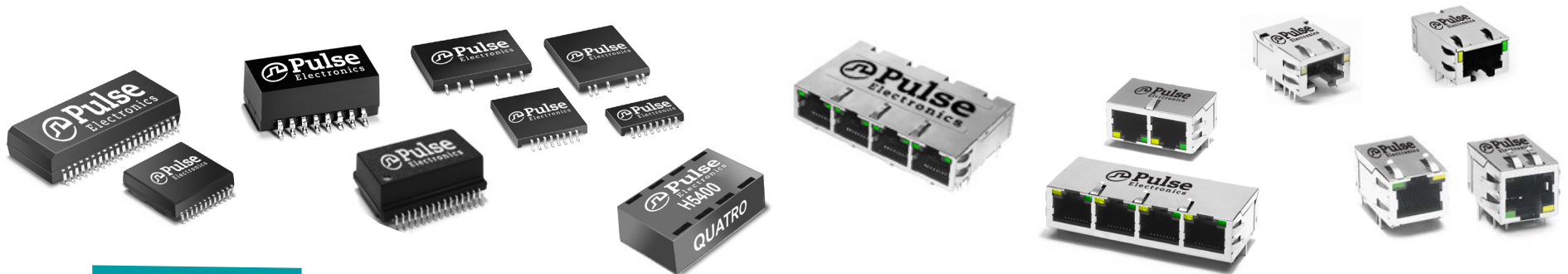




- ⚙️ Ideal for single and multi-port server applications
- ⚙️ Available for PoE, PoE+ and PCI - Express cards.

- ⚙️ Custom design options available (LED, pinout, extended temperature, etc...)
- ⚙️ X = extended temp, P = PoE, PP = PoE+, OS = Offset

MAGNETICS			CONNECTORS WITH INTEGRATED MAGNETICS			
10/100	Gigabit	10GBASE-T	10/100	Gigabit	10GBASE-T	
<b>SINGLE:</b> H1263NL H2019NLP HX1188NLX HX2326NLX, PP	<b>SINGLE:</b> H5062NL H5610NL H6062NLP HX5004ENX HX5062NLX HX5610NLX	<b>SINGLE:</b> <b>(4 channel) (5 channel)</b> H7028FNL H7137FNLP H7029FNLP	<b>1X1:</b> JD1-0003NL JD1-0004NL JKM-0009NL JKM-0010NL JKO-0125NLP JKO-0144NLP	<b>1X1:</b> J1L-0103NL <sup>OS</sup> JD1-0001NL JD1-0002NL JKM-0003NL JKM-0004NL JKO-0161NLP JKO-0177NLP JXKO-0190NL	<b>1X1:</b> <b>(4 channel) (5 channel)</b> JT4-1120HL JT3-1101HL JTH-0024NL JT3-1125HL JT4-1108HL JT4-1109HL JT4-1160HL	
<b>DUAL:</b> H1270FNL H2006ANLP HX1294NLX	<b>DUAL:</b> H5014NL HX5014NLX H5200NLP HX5200NLX H5201NL HX5201NLX	<b>For Dual, please contact Pulse</b>	<b>1X2:</b> JX80-0019NLX	<b>1X2:</b> JG0-0129NL JGL-0001NL <sup>OS</sup> JGL-0004NL <sup>OS</sup> JXG0-0129NLX	<b>1X2:</b> <b>Available for sampling, please contact Pulse</b>	
<b>QUAD:</b> H1164NL HX1234NLX H1259NLP HX1259NLPX H5200NLP HX5201NLX H5201NL HX5200NLX	<b>QUAD:</b> H5200NLP HX5400NLPX H5400NLP HX5401NLX H6400NLP	<b>For Quad, please contact Pulse</b>	<b>1X4:</b> J1N-0013NL J80-0004NL JX80-0033NLX	<b>1X4:</b> J1N-0002NL JG0-0098NL JXG0-0098NLX	<b>1X4:</b> <b>(4 channel)</b> JT6-1473NL JT6-1480NLP	

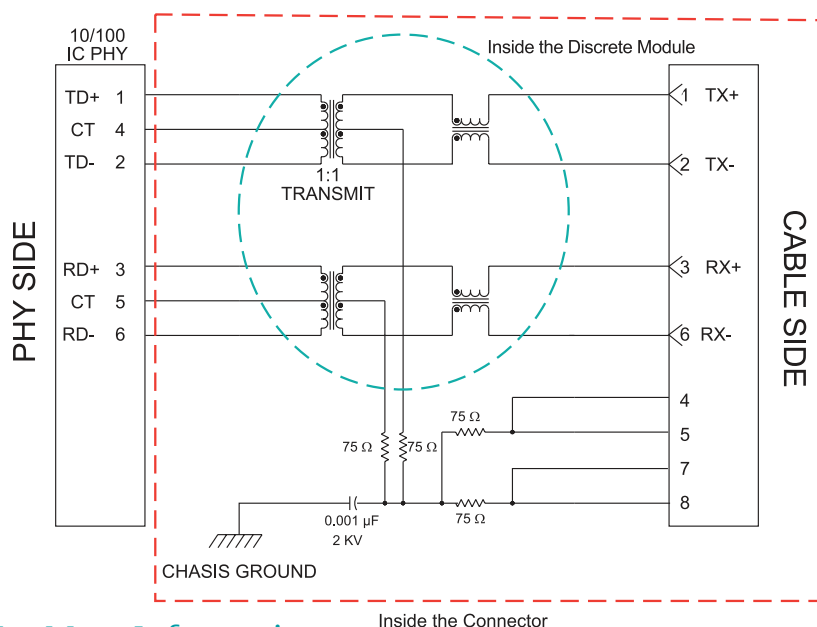




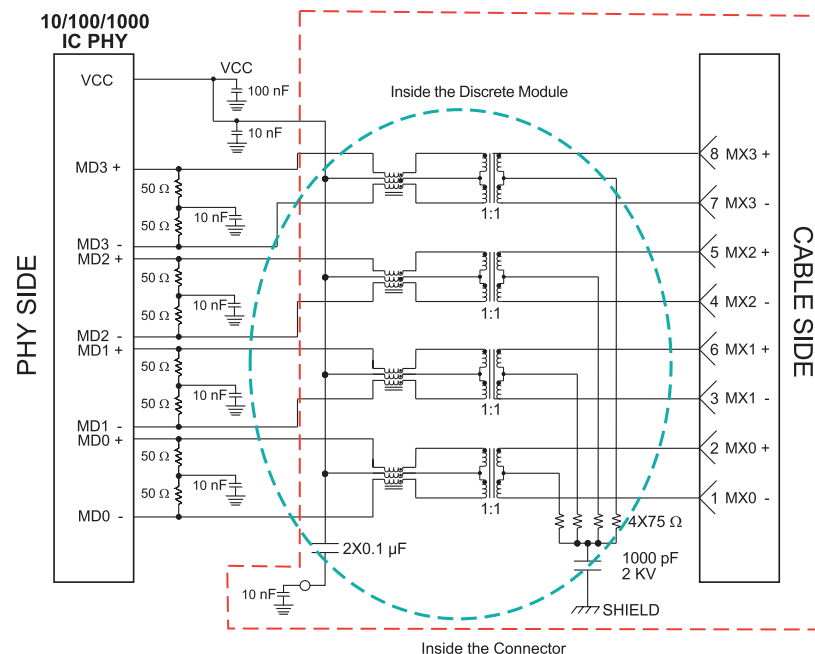
## Application Notes

- Layering ground planes is advisable. Route connector/discrete module ground pins to chassis/analog ground if possible.
- Keep signal traces from PHY to connector/discrete module as short as possible. If traces exceed 3-4 inches, pay close attention to line impedance imbalance.
- Using BST (75Ω resistors and high voltage cap to chassis ground) to terminate Cable side CTs is advisable for best EMI performance (included in most connector solutions).
- Follow PHY manufacturer’s application notes for further layout

### 10/100 APPLICATION CIRCUIT



### TYPICAL 10GBASE-T /GIGABIT CIRCUIT



### For More Information

**Pulse Worldwide Headquarters**  
12220 World Trade Drive  
San Diego, CA 92128  
U.S.A.

**Pulse Europe**  
Zeppelinstrasse 15  
71083 Herrenberg  
Germany

**Pulse China Headquarters**  
B402, Shenzhen Academy of  
Aerospace Technology Bldg.  
10th Kejian Road  
High-Tech Zone  
Nanshan District  
Shenzhen, PR China 518057  
Tel: 86 755 33966678  
Fax: 86 755 33966700

**Pulse North China**  
Room 2704/2705  
Super Ocean Finance Ctr.  
2067 Yan An Road West  
Shanghai 200336  
China  
Tel: 86 21 62787060  
Fax: 86 2162786973

**Pulse South Asia**  
135 Joo Seng Road  
#03-02  
PM Industrial Bldg.  
Singapore 368363

**Pulse North Asia**  
3F, No. 198  
Zhongyuan Road  
Zhongli City  
Taoyuan County 320  
Taiwan R. O. C.  
Tel: 886 3 4356768  
Fax: 886 3 4356823 (Pulse)  
Fax: 886 3 4356820 (FRE)

Tel: 858 674 8100  
Fax: 858 674 8262

Tel: 49 7032 78060  
Fax: 49 7032 7806 135

Tel: 65 6287 8998  
Fax: 65 6287 8998

Performance warranty of products offered on this data sheet is limited to the parameters specified. Data is subject to change without notice. Other brand and product names mentioned herein may be trademarks or registered trademarks of their respective owners.  
© Copyright, 2013. Pulse Electronics, Inc. All rights reserved.