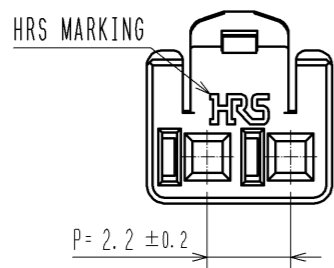
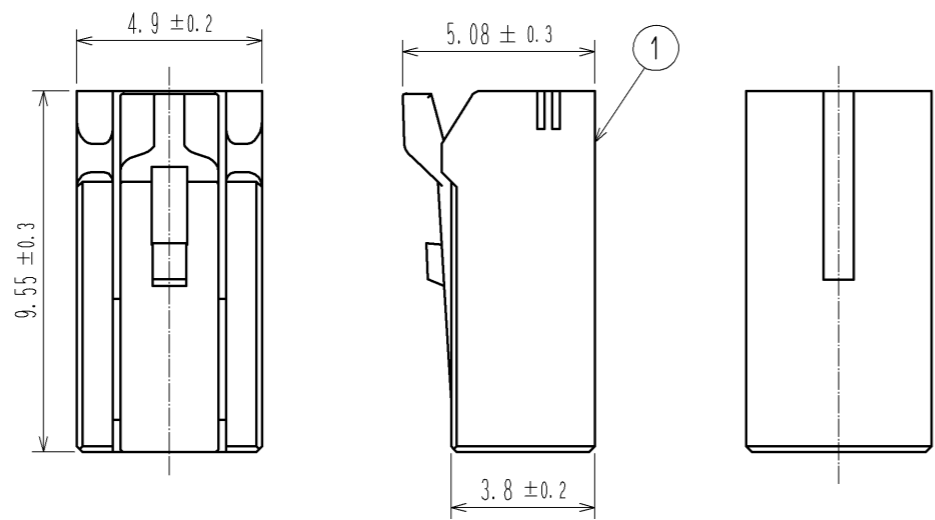
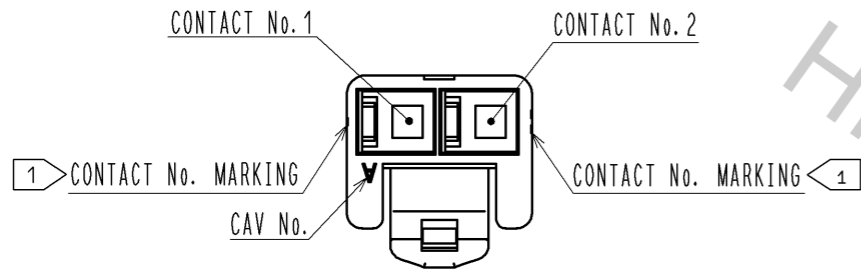
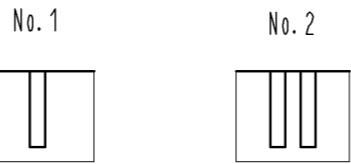
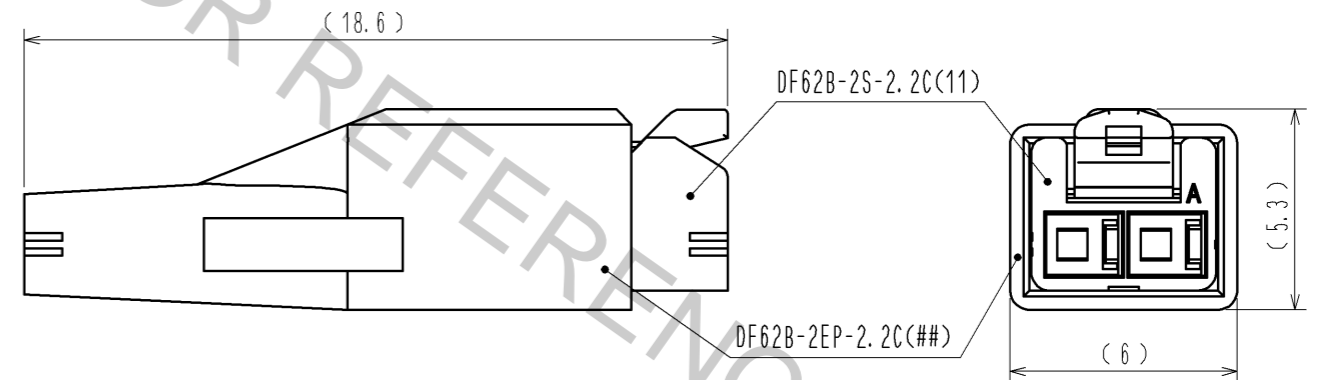


1 FIGURE-1 CONTACT No. MARKING (10:1)



MATING FIGURE



- NOTE. 1 MARKINGS AT THE INDICATED POSITIONS ARE CONTACT NO. MARKING. AND SHAPES ARE SHOWN IN FIGURE-1.  
 2. PER PACK : 100 PIECES.  
 3. THE DIMENSIONS IN PARENTHESIS ARE FOR REFERENCE.

NO.		MATERIAL		FINISH . REMARKS		1		PBT		UL94V-0 (BLACK)	
UNITS		SCALE		COUNT		DESCRIPTION OF REVISIONS		DESIGNED		CHECKED	
mm		5 : 1		△							
<b>HRS</b> HIROSE ELECTRIC CO., LTD.		APPROVED : KI. AKIYAMA		13. 09. 11		DRAWING NO.		EDC3-351955-01			
		CHECKED : OM. MIYAMOTO		13. 09. 11		PART NO.		DF62B-2S-2. 2C(11)			
		DESIGNED : TH. YOSHIZAWA		13. 09. 11		CODE NO.		CL544-0551-0-11			
		DRAWN : MI. SAKIMURA		13. 09. 09							