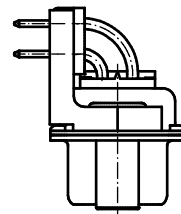
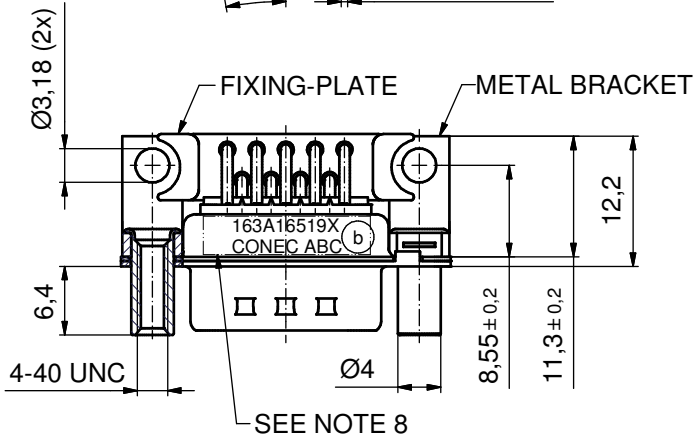
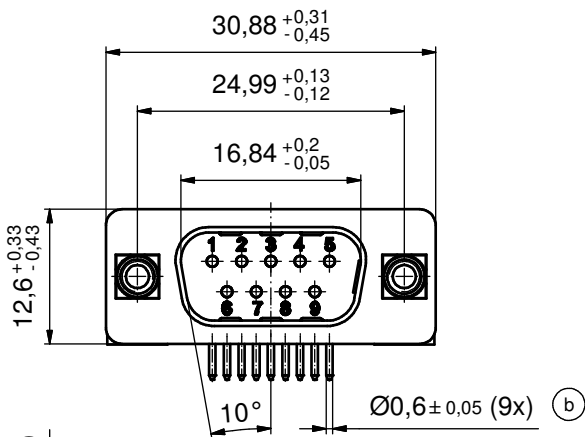
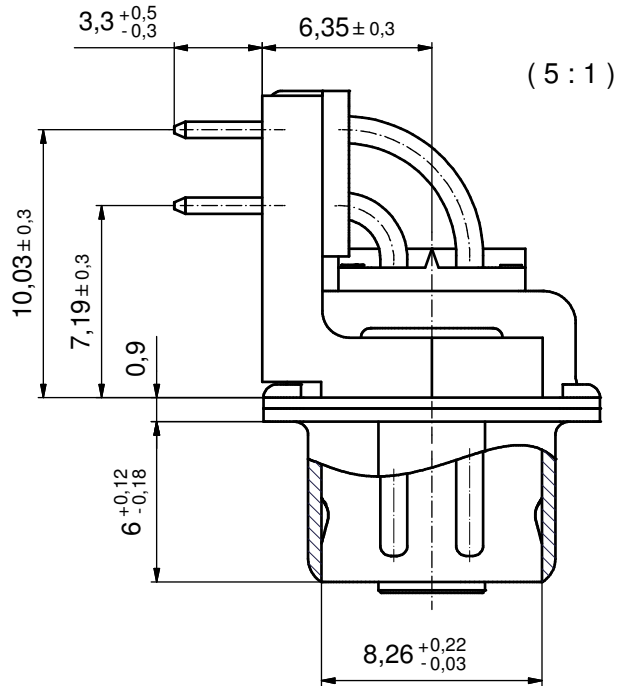
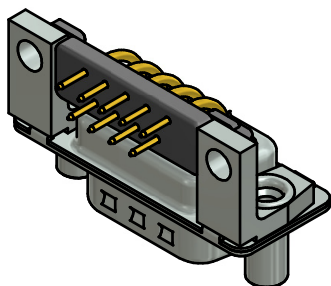


P.C.B. HOLE DRILLINGS  
(P.C.B. TOP SIDE)



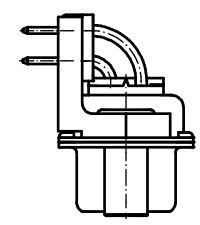
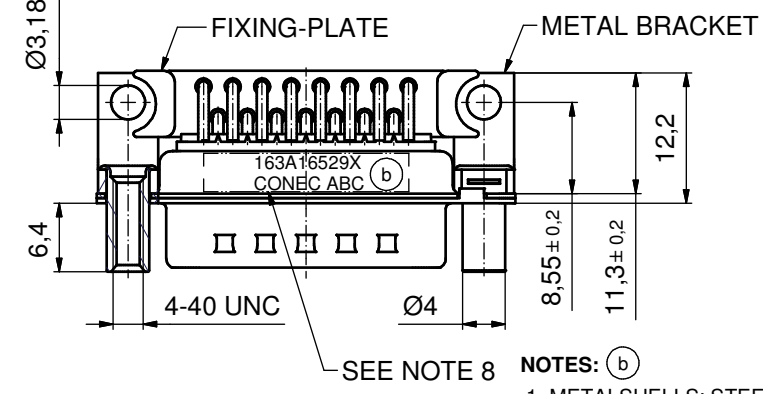
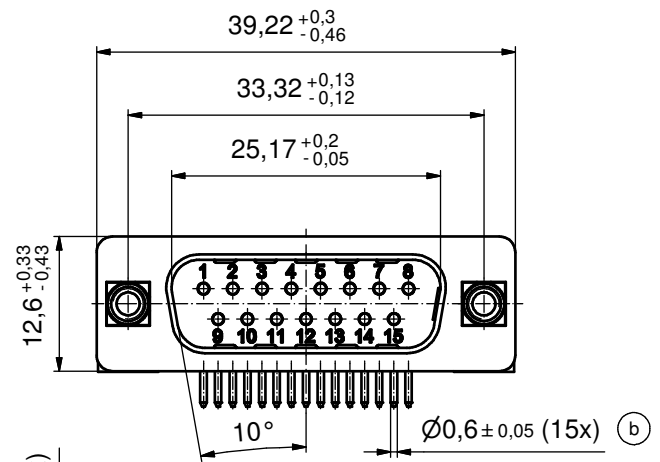
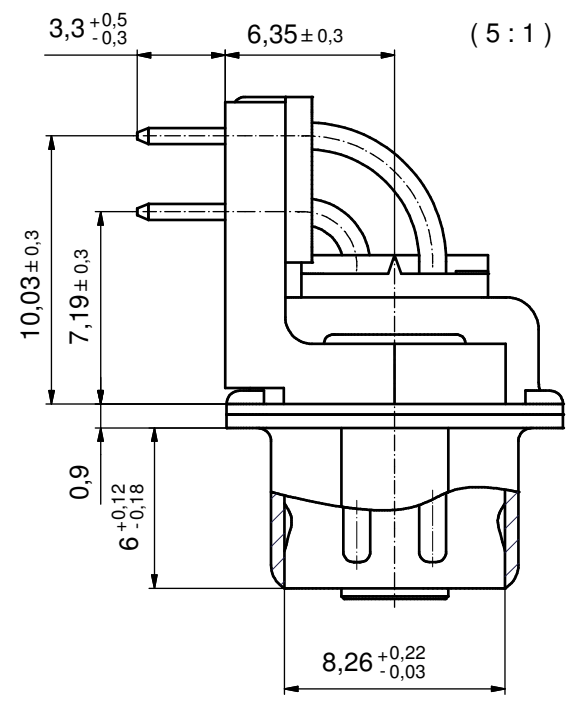
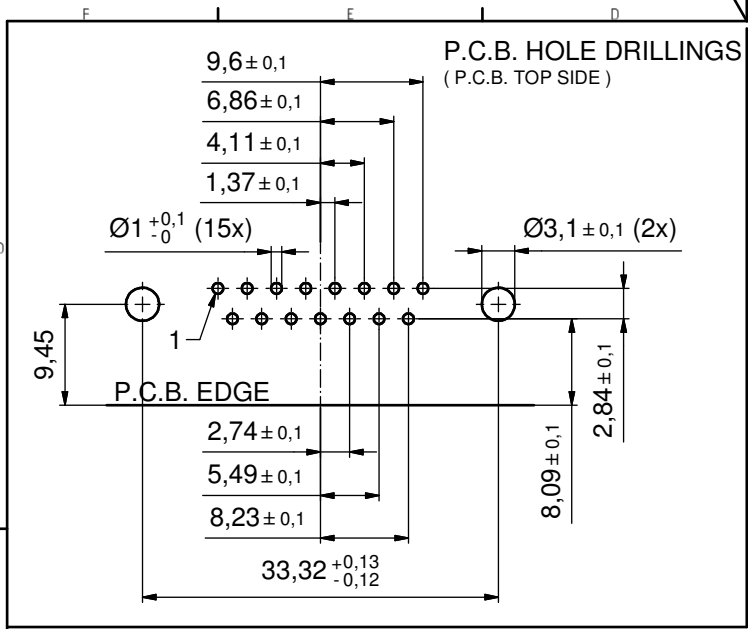
NOTES: (b)

1. METALSHELLS: STEEL; min. 315µm TIN over 40-80µm NICKEL
2. INSULATORS: PBT GF UL 94 V-0; BLACK
3. CONTACTS: COPPER ALLOY  
PLATING: GOLD FLASH over NICKEL
4. METAL BRACKETS: ZINC DIE CAST; 300µm COPPER/40-120µm NICKEL/120-200µm TIN
5. THREADED LOCKS: COPPER ALLOY; min. 200µm TIN over 80µm NICKEL
6. FIXING-PLATE: PBT GF UL 94 V-0; BLACK
7. MAXIMUM TORQUE VALUE FOR THREAD: 6 in.LB
8. CONNECTOR IS PART MARKED: 163A16519X CONEC ABC



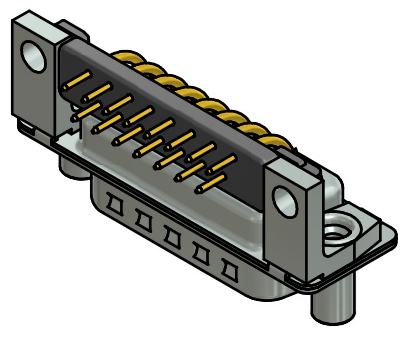
Directive 2002/95/EC RoHS compliant

THIS DRAWING MAY NOT BE COPIED OR REPRODUCED IN ANY WAY, AND MAY NOT BE PASSED ON TO A THIRD PARTY WITHOUT WRITTEN PERMISSION. OWNERSHIP AND COPYRIGHT OF CONEC GmbH DO NOT ALTER CAD DRAWING BY HAND	tolerance		dim. in mm	scale: 2:1 (5:1)	
				material: SEE NOTES	
			date	title:	
			drawn 24.03.2004	<b>D-SUB MALE 90°</b> 9pos. SOLDER PIN ANGLED 0.318inch threaded lock and metal bracket	
			appd. 24.03.2004		
		norm			
		d-old	dwg no:		
3 x b	A4036	07.07.2011	K.H.	<b>16K1A1129</b> DIN-A3 sh: 1/6	
a	Original			<b>CONEC</b> part no: 163A16519X	
rev.	description	date	name		



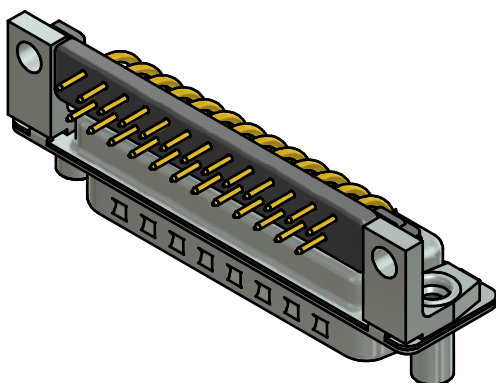
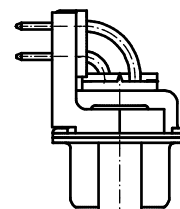
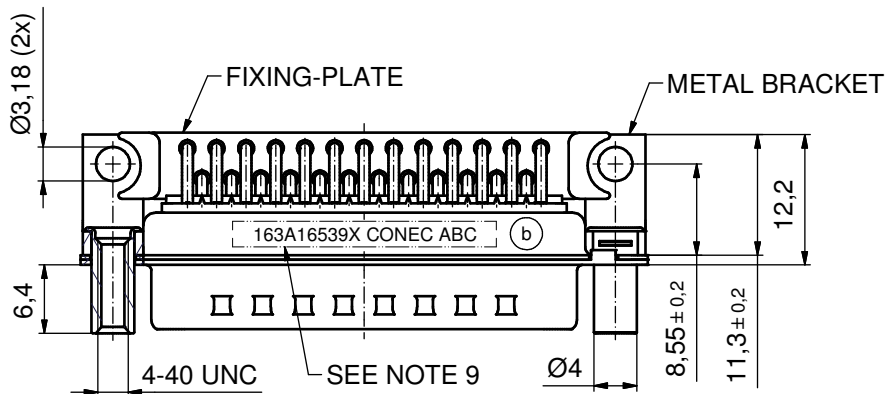
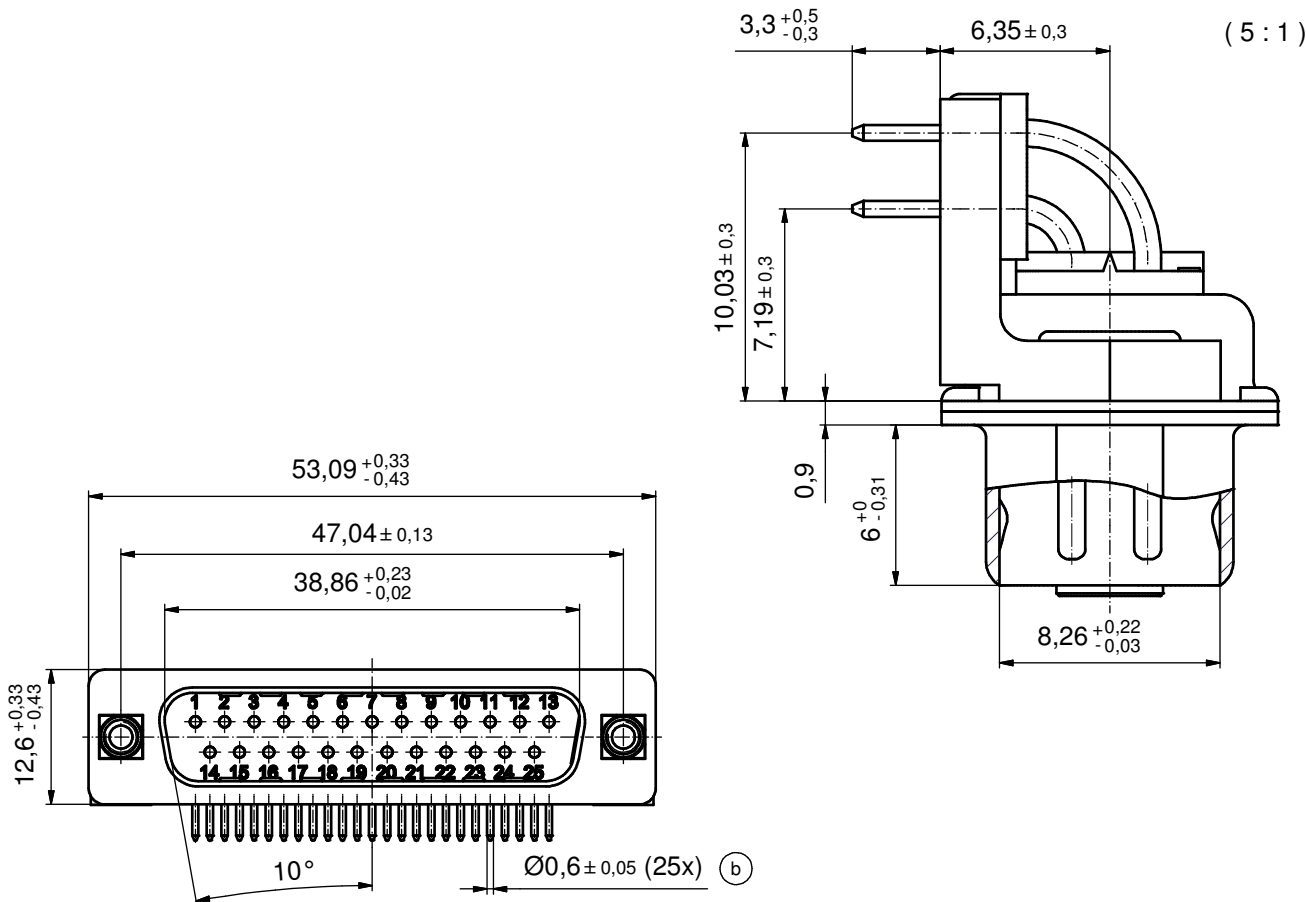
SEE NOTE 8 NOTES: (b)

1. METAL SHELLS: STEEL; min. 315µm TIN over 40-80µm NICKEL
2. INSULATORS: PBT GF UL 94 V-0; BLACK
3. CONTACTS: COPPER ALLOY  
PLATING: GOLD FLASH over NICKEL
4. METAL BRACKETS: ZINC DIE CAST; 300µm COPPER/40-120µm NICKEL/120-200µm TIN
5. THREADED LOCKS: COPPER ALLOY; min. 200µm TIN over 80µm NICKEL
6. FIXING-PLATE: PBT GF UL 94 V-0; BLACK
7. MAXIMUM TORQUE VALUE FOR THREAD: 6 in.LB
8. CONNECTOR IS PART MARKED: 163A16529X CONECC ABC



Directive 2002/95/EC RoHS compliant

THIS DRAWING MAY NOT BE COPIED OR REPRODUCED IN ANY WAY, AND MAY NOT BE PASSED ON TO A THIRD PARTY WITHOUT WRITTEN PERMISSION. OWNERSHIP AND COPYRIGHT OF CONECC GmbH DO NOT ALTER CAD DRAWING BY HAND	tolerance		dim. in mm		scale: 2:1 (5:1)		
					material: SEE NOTES		
	date		name		title: <b>D-SUB MALE 90°</b> 15pos. SOLDER PIN ANGLED 0.318inch threaded lock and metal bracket		
	drawn 24.03.2004		Mankopf				
	appd. 24.03.2004		Mickenbecker				
norm		d-old		dwg no:			
3 x b		A4036		07.07.2011		DIN-A3	
a		Original				sh: 2/6	
rev.		description		date		name	
						part no: 163A16529X	



**NOTES:** (b)

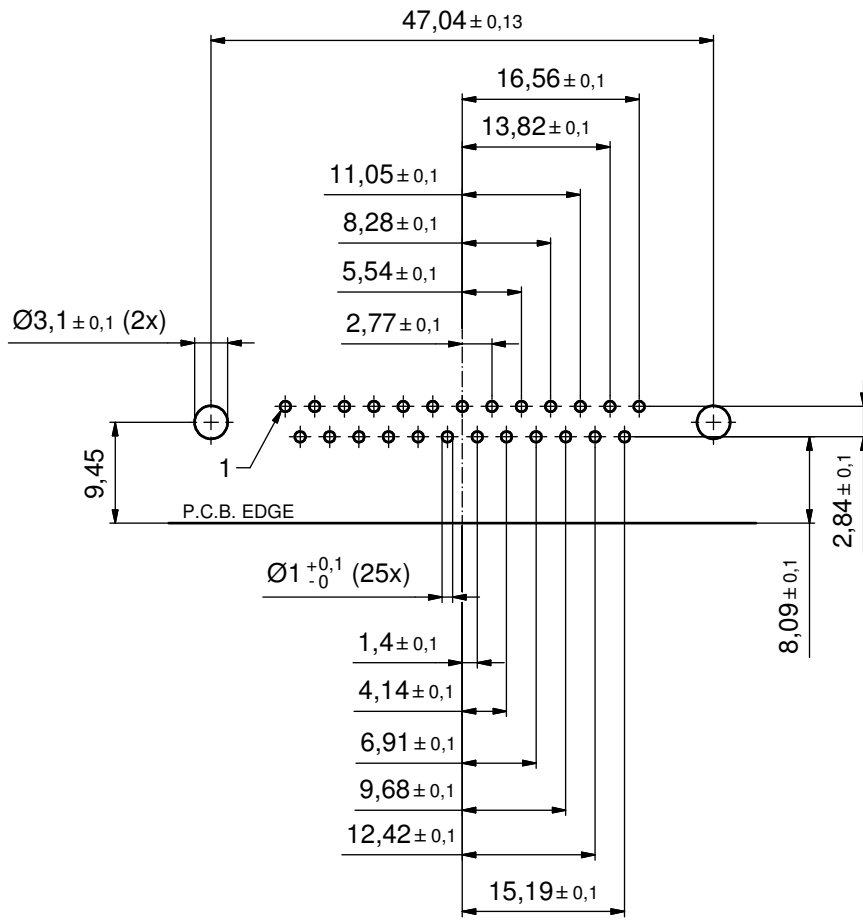
1. METALSHELLS: STEEL; min. 315µm TIN over 40-80µm NICKEL
2. INSULATORS: PBT GF UL 94 V-0; BLACK
3. CONTACTS: COPPER ALLOY  
PLATING: GOLD FLASH over NICKEL
4. METAL BRACKETS: ZINC DIE CAST; 300µm COPPER/40-120µm NICKEL/120-200µm TIN
5. THREADED LOCKS: COPPER ALLOY; min. 200µm TIN over 80µm NICKEL
6. FIXING-PLATE: PBT GF UL 94 V-0; BLACK
7. P.C.B. HOLE DRILLINGS ON SHEET 2
8. MAXIMUM TORQUE VALUE FOR THREAD: 6 in.LB
9. CONNECTOR IS PART MARKED: 163A16539X CONEC ABC

Directive 2002/95/EC RoHS compliant

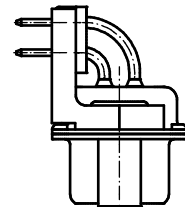
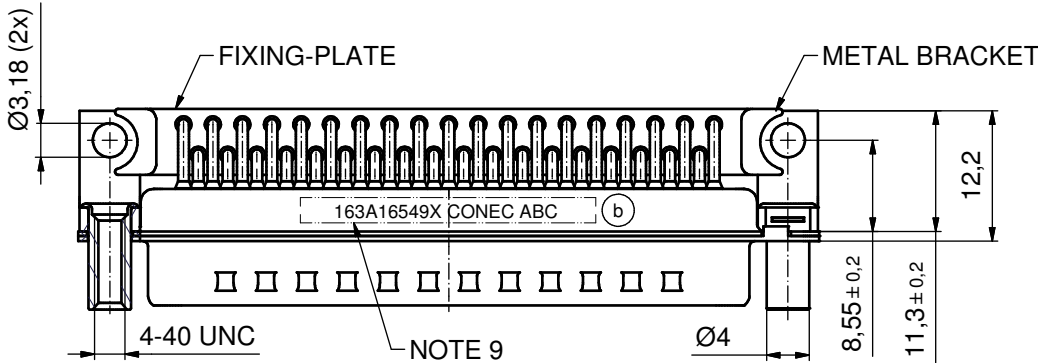
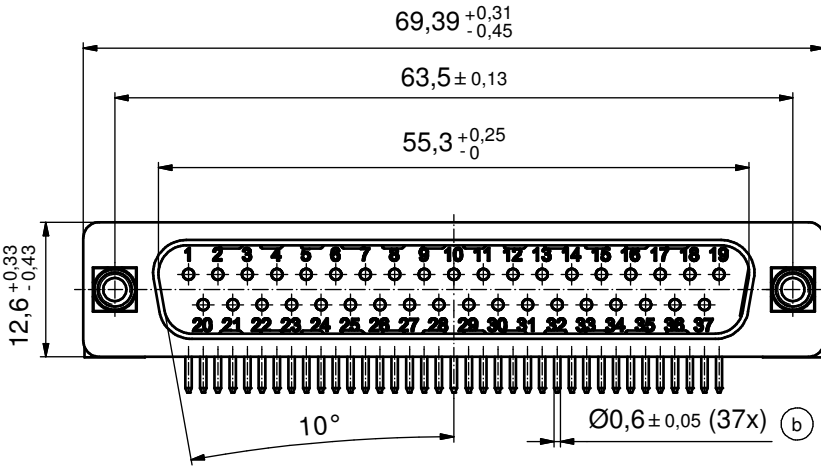
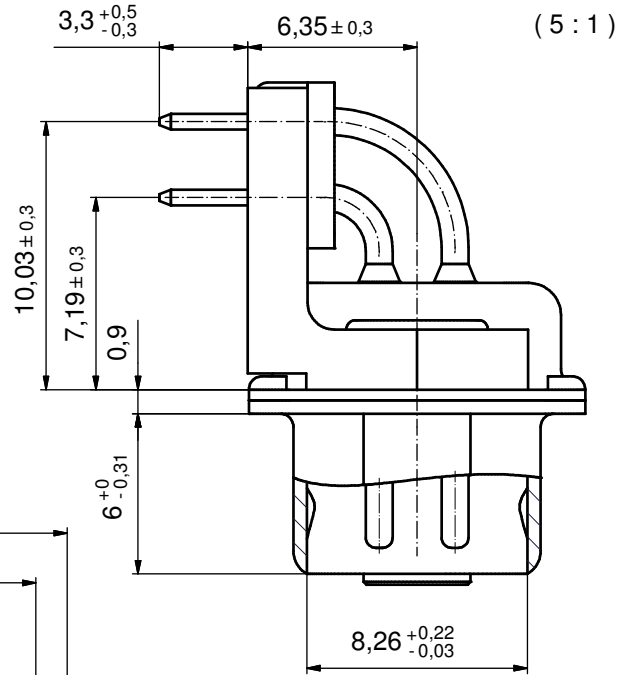
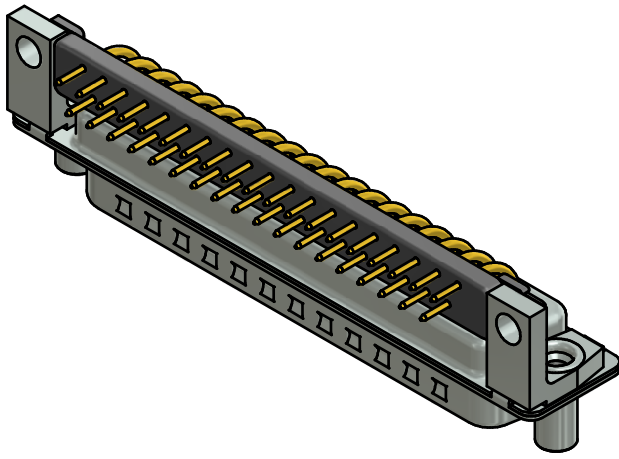
THIS DRAWING MAY NOT BE COPIED OR REPRODUCED IN ANY WAY, AND MAY NOT BE PASSED ON TO A THIRD PARTY WITHOUT WRITTEN PERMISSION. OWNERSHIP AND COPYRIGHT OF CONEC GmbH DO NOT ALTER CAD DRAWING BY HAND	tolerance		dim. in mm		scale: 2:1 (5:1)	
					material: SEE NOTES	
			date		title:	
			name		<b>D-SUB MALE 90°</b> 25pos. SOLDER PIN ANGLED 0.318inch threaded lock and metal bracket	
			drawn 24.03.2004 Mankopf			
		appd. 24.03.2004 Mickenbecker		dwg no:		
		norm		16K1A1129		
		d-old		part no: 163A16539X		
3 x b		A4036	07.07.2011	K.H.	DIN-A3	
a		Original			sh: 3/6	
rev. description		date	name			

# P.C.B. HOLE DRILLINGS

( P.C.B. TOP SIDE )



THIS DRAWING MAY NOT BE COPIED OR REPRODUCED IN ANY WAY, AND MAY NOT BE PASSED ON TO A THIRD PARTY WITHOUT WRITTEN PERMISSION. OWNERSHIP AND COPYRIGHT OF CONEC GmbH DO NOT ALTER CAD DRAWING BY HAND				tolerance	 dim. in mm	scale: 2:1	
				date		name	material: SEE SHEET3
				drawn	04.07.11	Henneboel	<b>title:</b> <b>P.C.B. HOLE DRILLINGS</b> D-SUB Male 25pos. 0.318inch with threaded lock and metal bracket
				appd.	04.07.11	Koch	
				norm			
				d-old			
	a	Original					dwg no:
rev.	description	date	name				16K1A1129
						part no: SEE SHEET3	



**NOTES: (b)**

1. METALSHELLS: STEEL; min. 315µm TIN over 40-80µm NICKEL
2. INSULATORS: PBT GF UL 94 V-0; BLACK
3. CONTACTS: COPPER ALLOY  
PLATING: GOLD FLASH over NICKEL
4. METAL BRACKETS: ZINC DIE CAST; 300µm COPPER/40-120µm NICKEL/120-200µm TIN
5. THREADED LOCKS: COPPER ALLOY; min. 200µm TIN over 80µm NICKEL
6. FIXING-PLATE: PBT GF UL 94 V-0; BLACK
7. P.C.B. HOLE DRILLINGS ON SHEET 2
8. MAXIMUM TORQUE VALUE FOR THREAD: 6 in.LB
9. CONNECTOR IS PART MARKED: **163A16549X CONEC ABC**

Directive 2002/95/EC RoHS compliant

THIS DRAWING MAY NOT BE COPIED OR REPRODUCED IN ANY WAY, AND MAY NOT BE PASSED ON TO A THIRD PARTY WITHOUT WRITTEN PERMISSION. OWNERSHIP AND COPYRIGHT OF CONEC GmbH

DO NOT ALTER CAD DRAWING BY HAND

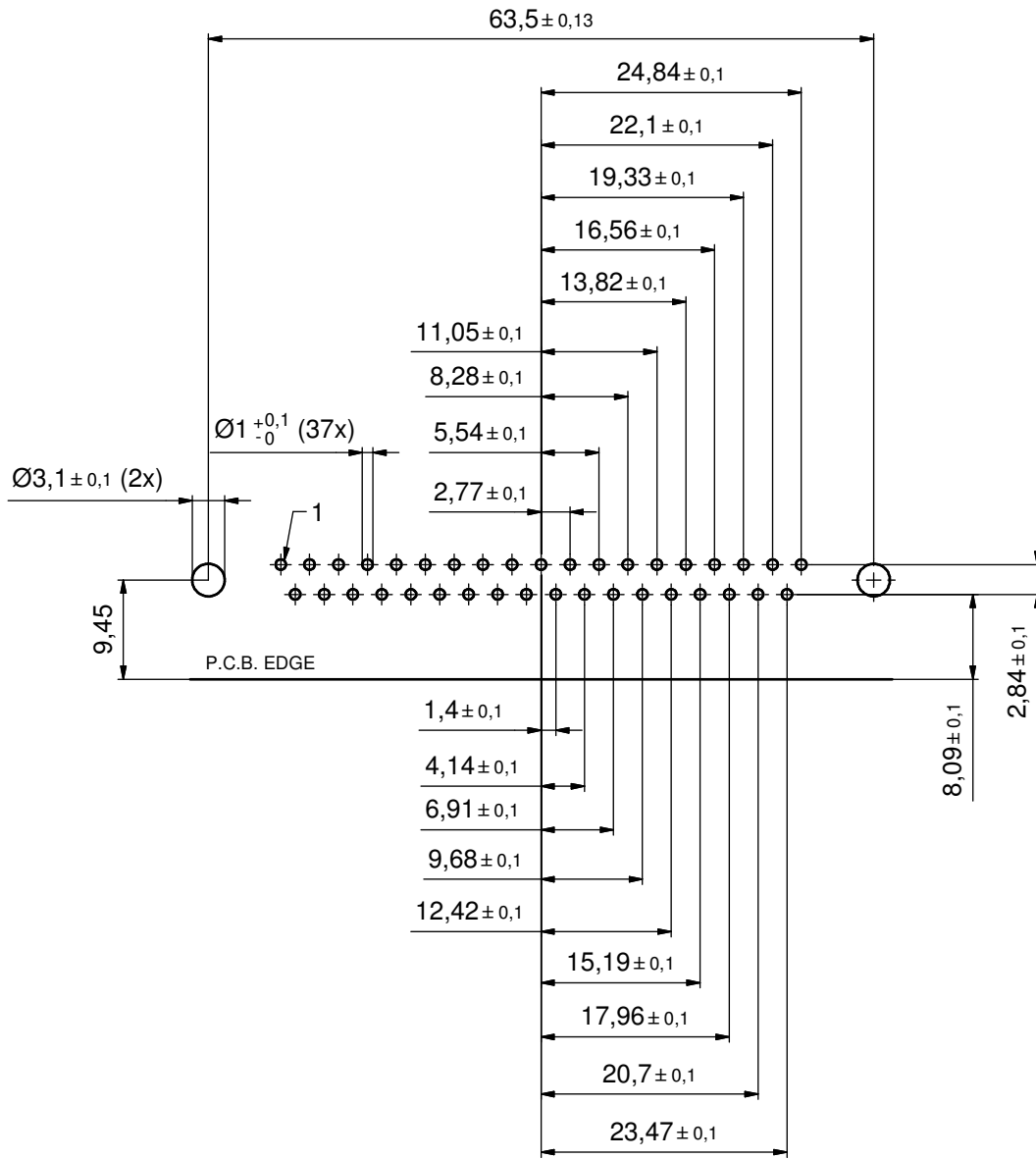
tolerance		dim. in mm	
date	name	drawn	24.03.2004 Mankopf
appd.	24.03.2004 Mickenbecker	norm	
d-old			
3 x b	A4036	07.07.2011	K.H.
a	Original		
rev.	description	date	name



scale:	2:1 (5:1)	
material:	SEE NOTES	
title:	D-SUB MALE 90° 37pos. SOLDER PIN ANGLED 0.318inch threaded lock and metal bracket	
dwg no:	16K1A1129	DIN-A3 sh: 5/6
part no:	163A16549X	

# P.C.B. HOLE DRILLINGS

( P.C.B. TOP SIDE )



Directive 2002/95/EC RoHS compliant

THIS DRAWING MAY NOT BE COPIED OR REPRODUCED IN ANY WAY, AND MAY NOT BE PASSED ON TO A THIRD PARTY WITHOUT WRITTEN PERMISSION. OWNERSHIP AND COPYRIGHT OF CONEC GmbH DO NOT ALTER CAD DRAWING BY HAND				tolerance	 dim. in mm	scale: 2:1
				date	name	title: <b>P.C.B. HOLE DRILLINGS</b> D-SUB Male 37pos. 0.318inch with threaded lock and metal bracket
				drawn 04.07.11	Henneboel	
				appd. 04.07.11	Koch	
			norm		dwg no:	DIN-A3
			d-old		16K1A1129	sh: 6/6
	a	Original			part no:	SEE SHEET 5
	rev.	description	date	name		

