

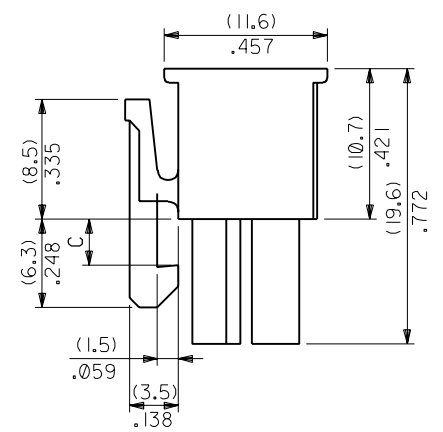
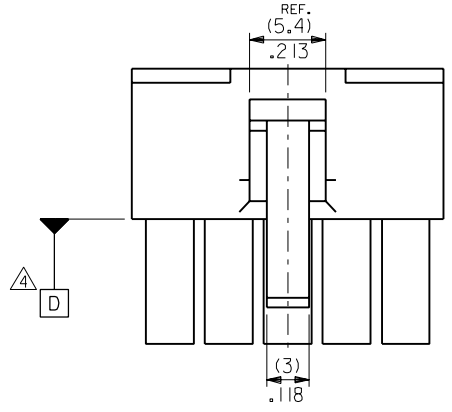
NOTES

1. TERMINAL : 5556 SERIES
  2. MATE WITH : 5559 SERIES  
5566 SERIES  
5569 SERIES
  3. (METRIC) VALUES SHOWN GOVERN OVER ENGLISH CONVERSION VALUES.
- △ TO BE MEASURED AT POSITION OF □ SURFACE.

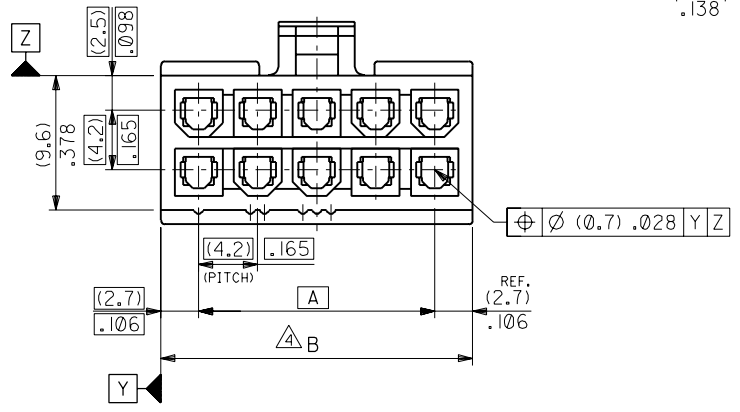


4 CKT.

CIRCUIT SIZE LAYOUT  
(SCALE: 1-1)



4 CKT.



(3.3) ±.129	(9.6) ±.378	(4.2) ±.165	39-02-8040	5557-04R-RE	4
C	B	A	EDP. NO.	ENG. NO.	NO. OF CKTS.

角度 ANGLE		±3°	材料 MATERIAL		MOLEX MOLEX-JAPAN CO.,LTD. 日本モレックス株式会社
30以上 OVER		+0.4	66NYLON (UL94V-2)		
10以上 OVER 30 未滿 UNDER		+0.3	仕上げ FINISH		EDP. NO.
10 未滿 UNDER		+0.2	DYED RED		39-02-8**0
一般公差 GENERAL TOLERANCES			適用電線範圍 WIRE RANGE		ENG. NO.
			被覆外徑 INS. RANGE		SD-5557-NR-RE
			DRAWN BY 9/17/2/5		REV 0
			CHK'D BY 9/17/2/5		
			T.YASUI S.AIHARA		
			APP'D BY 9/17/2/5		
			M.FUKUSHIMA		
			尺度 SCALE 3 - 1		
			TITLE 名称		
			NEW MINI FIT CONN.		
			REC. HOUSING (RED)		

THIS DRAWING CONTAINS INFORMATION THAT IS PROPRIETARY TO MOLEX(JAPAN) AND SHOULD NOT BE USED WITHOUT WRITTEN PERMISSION  
本図面は日本モレックス(株)の所有する情報を含むもので 当社の許可なく複製を禁止する。