
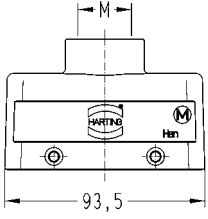
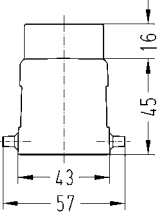

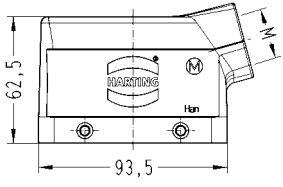
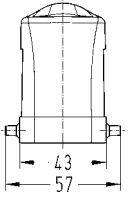

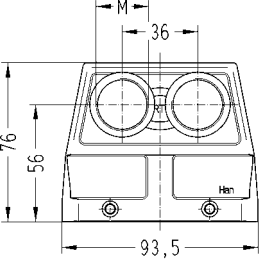
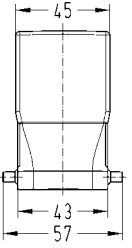


double locking lever

Identification	Cable entry	Part number		Drawing Dimensions in mm	
		Low construction	High construction		
Han® B, Hoods, top entry 	1xM25 1xM32 1xM40 2xM25	19 30 016 1421 19 30 016 1422	19 30 016 0427 19 30 016 0428 19 30 016 0466		
Han® B, Hoods, side entry 	1xM25 1xM32 1xM40	19 30 016 1521 19 30 016 1522	19 30 016 0527 19 30 016 0528		
Han® B, Hoods, angled entry 	2xM25		19 30 016 0666		

Hoods  
Housings