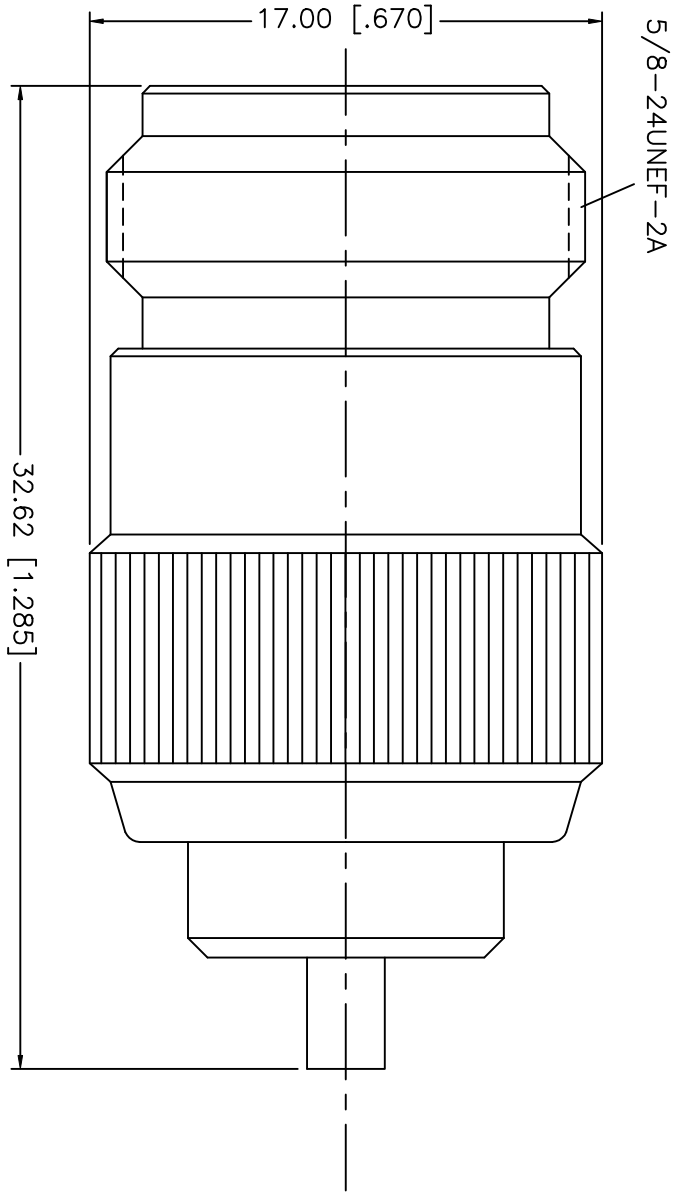


REV.	DATE	DESCRIPTION
NC	09/26/02	INITIAL RELEASE



8				UNLESS OTHERWISE SPECIFIED DIMENSIONS ARE IN MILLIMETERS	APPROVALS	DATE	TITLE			REV.
7				DIMENSIONS IN [] ARE IN INCHES FOR CUSTOMER REFERENCE ONLY	DRAWN G.R.S.	09/26/02	N JACK TO MMCX JACK ADAPTOR			NC
6					CHECKED		Amphenol - Connex CONNECTOR CORPORATION			
5					ISSUED		N JACK TO MMCX JACK ADAPTOR			
4				UNLESS OTHERWISE SPECIFIED TOLERANCES FOR INCHES ARE: .XXX = ± 0.005" .XX = ± 0.010" .X = ± 0.020"			SIZE	FSCM NO.	DWG. NO.	
3	CONTACT PIN	PHOS. BRONZE	GOLD				A	99001	242168	242168.DWG
2	INSULATOR	TEFLON	NATURAL				SCALE	NA	PART NO.	242168
1	BODY	BRASS	NICKEL							
	DESCRIPTION	MATERIAL	FINISH	DO NOT SCALE DRAWING						SHEET 1 OF 1