

4

3

2

1

THIS DRAWING IS UNPUBLISHED. RELEASED FOR PUBLICATION 20  
 © COPYRIGHT 20 BY TYCO ELECTRONICS CORPORATION. ALL RIGHTS RESERVED.

LOC	DIST	REVISIONS					
GP	00	P	LTR	DESCRIPTION	DATE	DWN	APVD
			A	RELEASED	27SEP2006	RG	SO

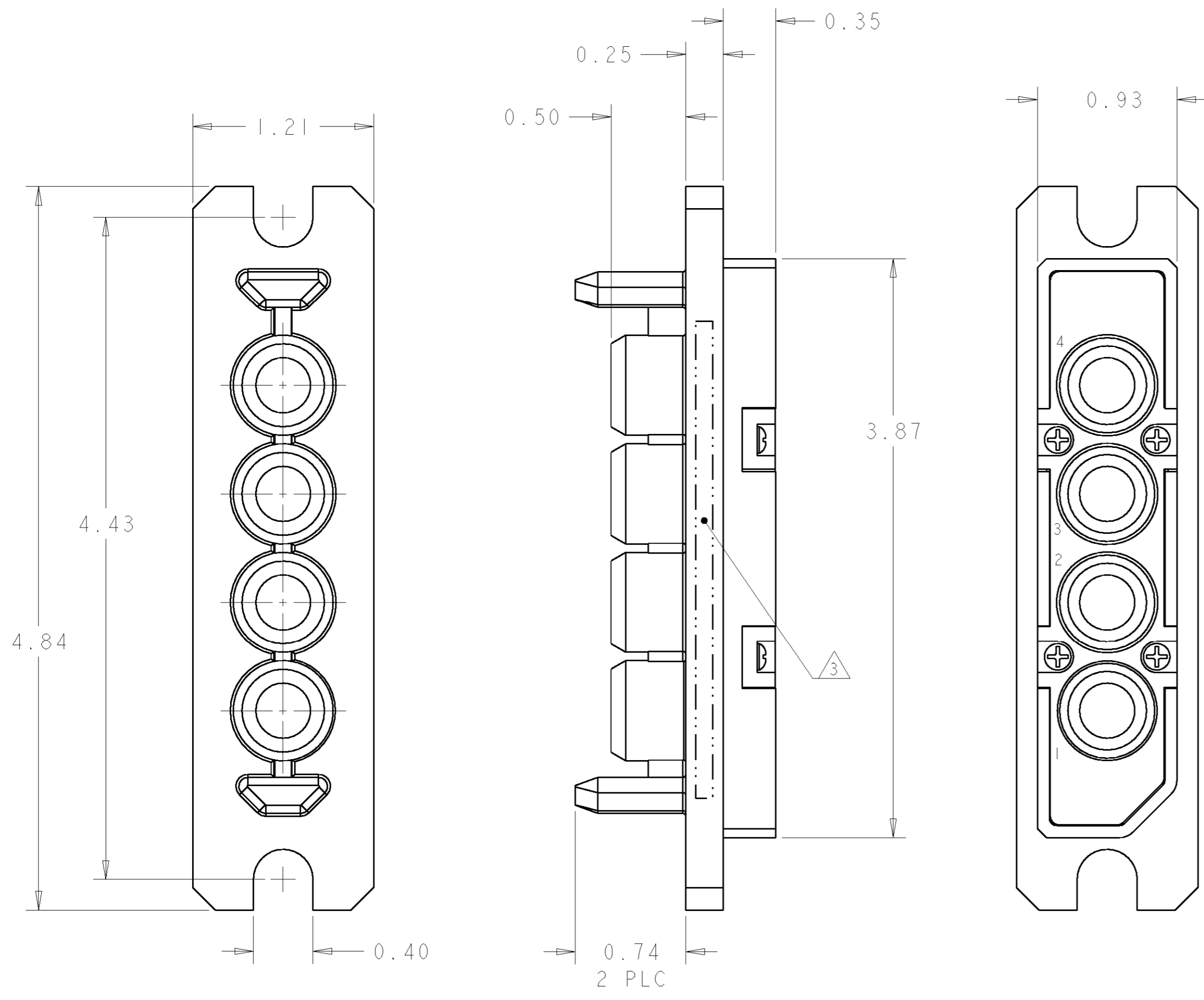
1. PART NUMBER CHANGES AND OR DESIGN CHANGES AFFECTING THE INTERCHANGEABILITY REQUIRE PRIOR TYCO APPROVAL AND AUTHORIZATION BY REVISION TO THIS DRAWING.

2. MATERIAL:  
 INSULATOR: THERMOPLASTIC, GLASS REINFORCED, UL 94V-0  
 FLAMMABILITY RATED, COLOR: BLACK  
 RETENTION CLIP: COPPER ALLOY OR STAINLESS STEEL

3. ITEMS PROVIDED TO THIS SPECIFICATION TO BE PERMANENTLY IDENTIFIED PER THE FOLLOWING IDENTIFIER:

TYCO PART NUMBER  
 XXXXXXXX-X

YEAR 1 WEEK 1  
 DATE CODE (e.g. 0216)  
 XXXX



RETENTION CLIPS  
 SIZE #0

AS SHOWN	6651494-1
DESCRIPTION	PART NUMBER

THIS DRAWING IS A CONTROLLED DOCUMENT FOR TYCO ELECTRONICS CORPORATION. IT IS SUBJECT TO CHANGE AND THE CONTROLLING ENGINEERING ORGANIZATION SHOULD BE CONTACTED FOR THE LATEST REVISION.		DWN R. GRZYBOWSKI 27SEP2006	Tyco Electronics Harrisburg, PA 17105-3608	
DIMENSIONS: INCHES		CHK D. ORRIS 27SEP2006	NAME SOCKET CONNECTOR IN-LINE QUADPOWER DRAWER	
TOLERANCES UNLESS OTHERWISE SPECIFIED: 0 PLC ± 1 PLC ±.01 2 PLC ±.005 3 PLC ± 4 PLC ±		APVD S. FLICKINGER 27SEP2006	RESTRICTED TO	
MATERIAL FINISH		PRODUCT SPEC APPLICATION SPEC	SIZE A200779	DRAWING NO. G-6651494
		WEIGHT	SCALE 3:1	SHEET 1 OF 1
		CUSTOMER DRAWING	REV A	

**ELCON** **QUADPOWER DRAWER**