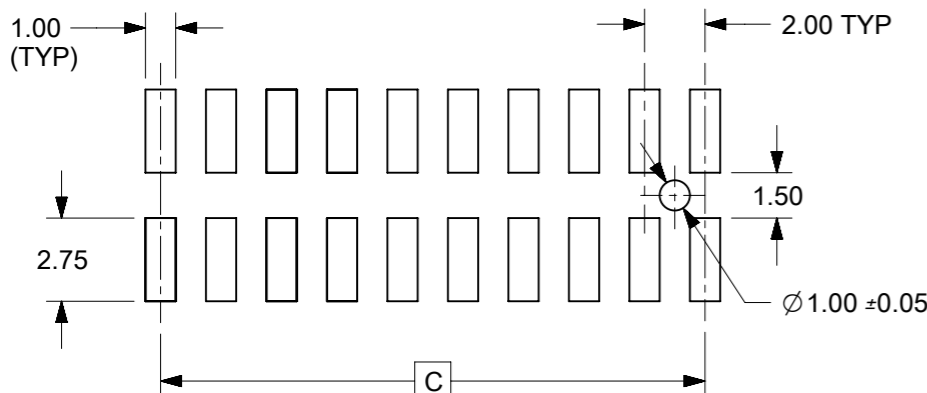
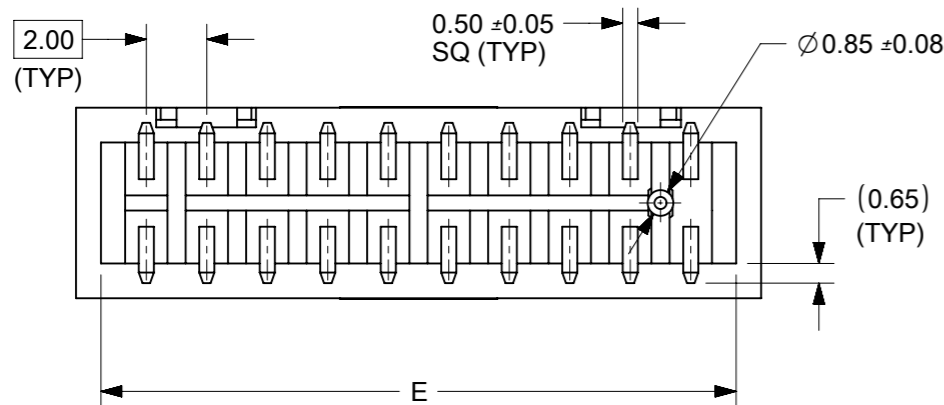
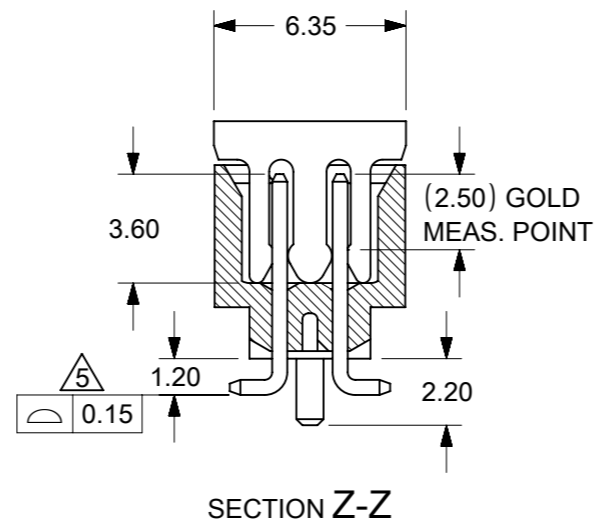
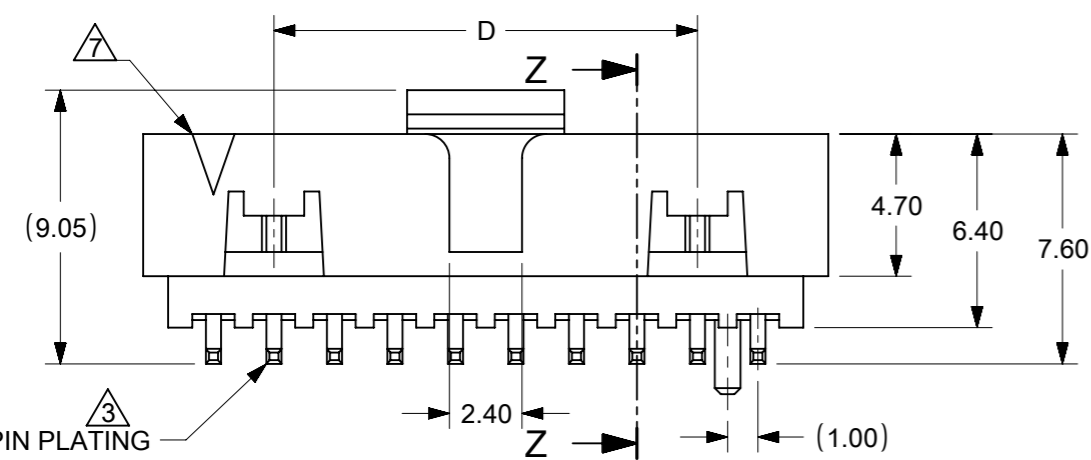
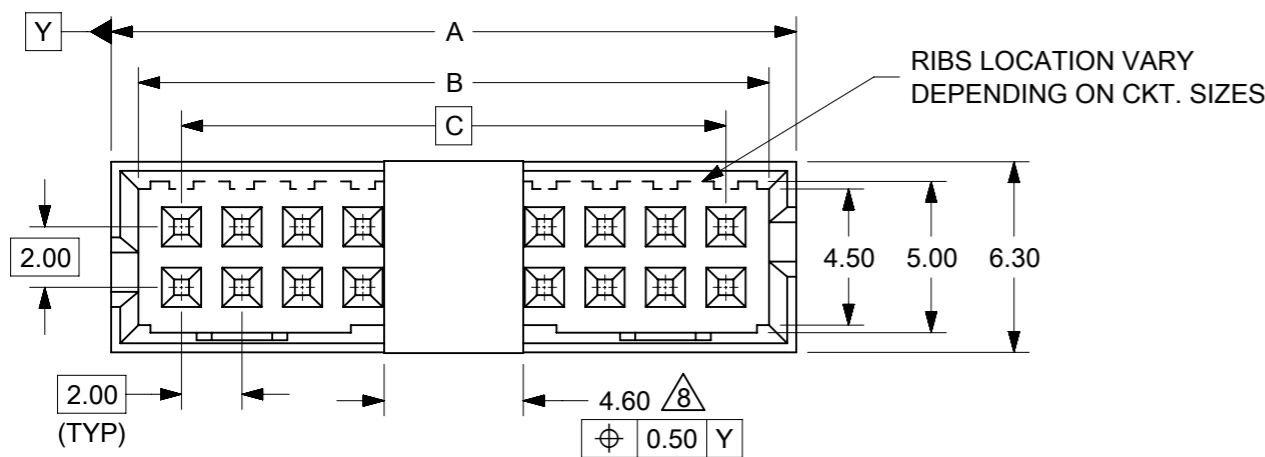


CKT SIZE	A	B	C	D	E
8	10.65	8.85	6.00	-----	9.00
12	14.65	12.85	10.00	-----	13.00
22	24.65	22.85	20.00	16.00	23.00



RECOMMENDED PCB PATTERN

NOTES:

- FOR ILLUSTRATION PURPOSES, 20 CIRCUIT SIZE WAFER IS SHOWN.
- MATERIAL :
HOUSING & CAP : 30% G.F., NYLON 46, UL94V-0, COLOR BLACK.
PIN : 0.50mm SQ.PHOSPHOR BRONZE.
 \triangle 3 PLATING : 0.38µm/15µin GOLD IN CONTACT AREA AND 1.88µm/75µin MIN.TIN IN SOLDER TAIL AREA OVER 1.27µm/50µin MIN.NICKEL OVERALL.
- PRODUCT SPECIFICATION PS-87831-027 APPLIES.
- COPLANARITY IS TO BE MEASURED BY RESTING THE SOLDER TAIL ON A GAUGE SURFACE.
- NO SIDE LOCKING SLOT FROM 4 TO 12 CKT SIZE.
- CKT 4 & 6 HAS NO IDENTIFICATION TAG.
- \triangle 8 POSITION OF CAP TO BE LOCATED AT CENTER OF DIMENSION 'A' REGARDLESS OF CIRCUIT SIZE.
- TOP SURFACE OF CAP TO BE FLAT FOR THE PURPOSE OF PICK-&-PLACE BY VACUUM SUCTION NOZZLE.
- THIS HEADER MATES WITH MOLEX:
a) CRIMP RECEPTACLE HOUSING, 51110 SERIES WITH CRIMP TERMINAL, 50394 SERIES.
b) 2mm MILLIGRID DUAL ROW IDT, 87568 SERIES.
- NO CENTRE POLARIZATION SLOT FOR CKT SIZE 4 AND 6.
- PARTS SHALL BE PACKED IN MOISTURE BARRIER BAG.
- PACKAGING SPECIFICATION:

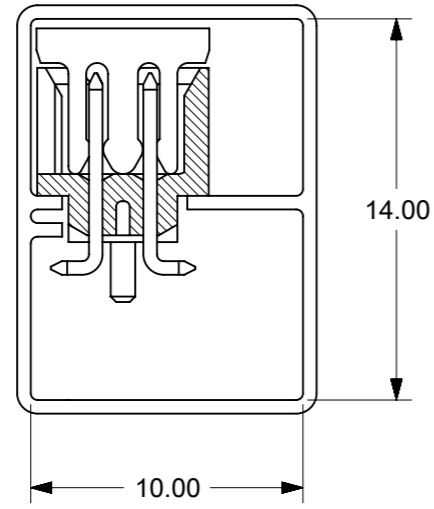
TAPE AND REEL PACKAGING	PK-87832-300
TUBE STANDARD PACKAGING	PK-87831-001
TUBE NON-STANDARD PACKAGING FOR:	PK-87831-002
87832-2250	

THIS DRAWING CONTAINS INFORMATION THAT IS PROPRIETARY TO MOLEX ELECTRONIC TECHNOLOGIES, LLC AND SHOULD NOT BE USED WITHOUT WRITTEN PERMISSION

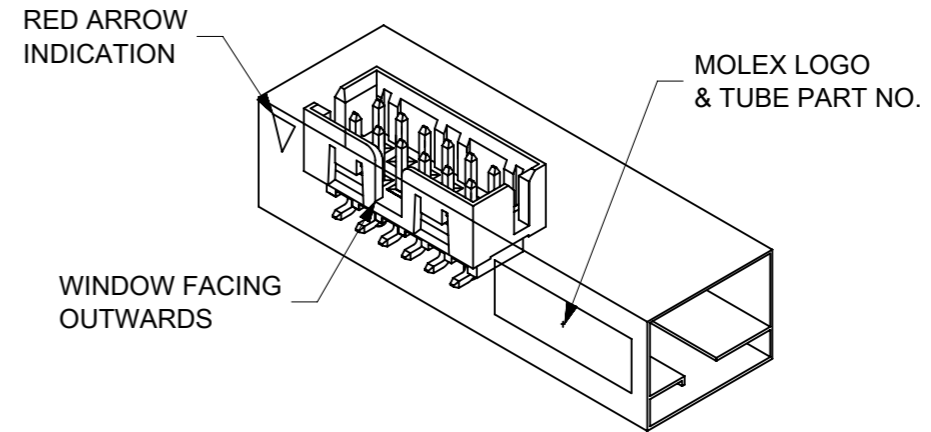
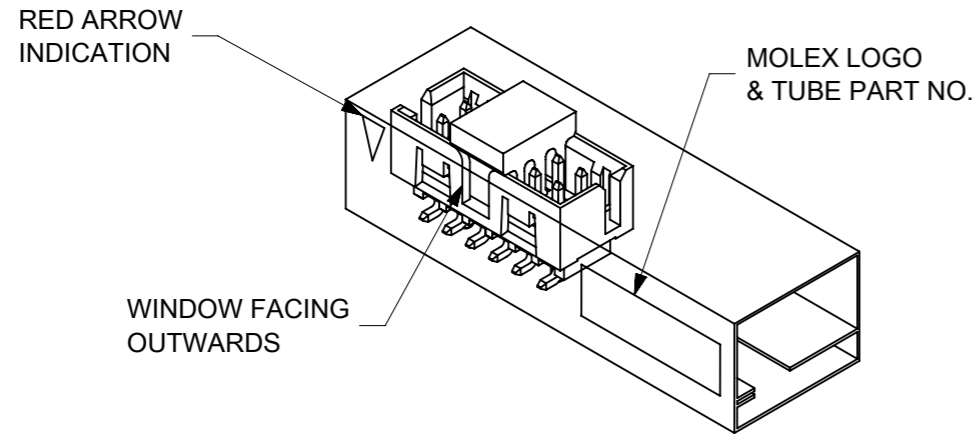
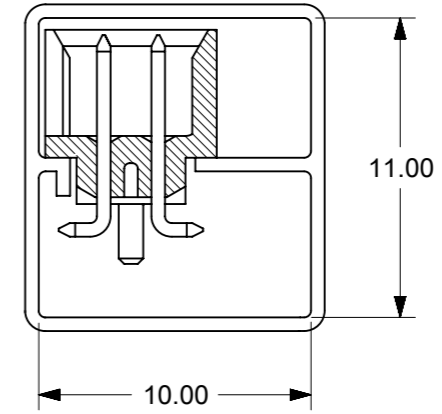
MIGRATED TO ECTR	2017/07/12	2017/08/10	GENERAL TOLERANCES (UNLESS SPECIFIED)		DIMENSION UNITS		SCALE		molex®			
			MM	INCH	MM	NTS	MM	NTS				
EC NO: 119993 DRWN: RMV02 CHK'D: GMENARLY REV APPR: KHLIM	2017/07/12	2017/08/10	4 PLACES	±	±	DRWN BY	DATE	SKANG 2009/05/06		MGRID, SHROUDED HEADER SMT, W/SINGLE PEG/CAP IN TUBE AND T&R		
			3 PLACES	±	±	CHK'D BY	DATE	ATSEE 2009/05/12				
			2 PLACES	± 0.2	±	APPR BY	DATE	MLONG 2009/05/13				
			1 PLACES	±	±	DRAWING SIZE		THIRD ANGLE PROJECTION		SERIES	MATERIAL NUMBER	CUSTOMER
			0 PLACES	±	±	A3				87832	SEE TABLE	GENERAL MARKET
ANGULAR TOL = 3.0			DRAFT WHERE APPLICABLE MUST REMAIN WITHIN DIMENSIONS						DOCUMENT NUMBER	DOC TYPE	DOC PART	SHEET NUMBER
A4									SD-87832-036	PSD	001	1 OF 3

TUBE PACKAGING

WITH CAP IN TUBE



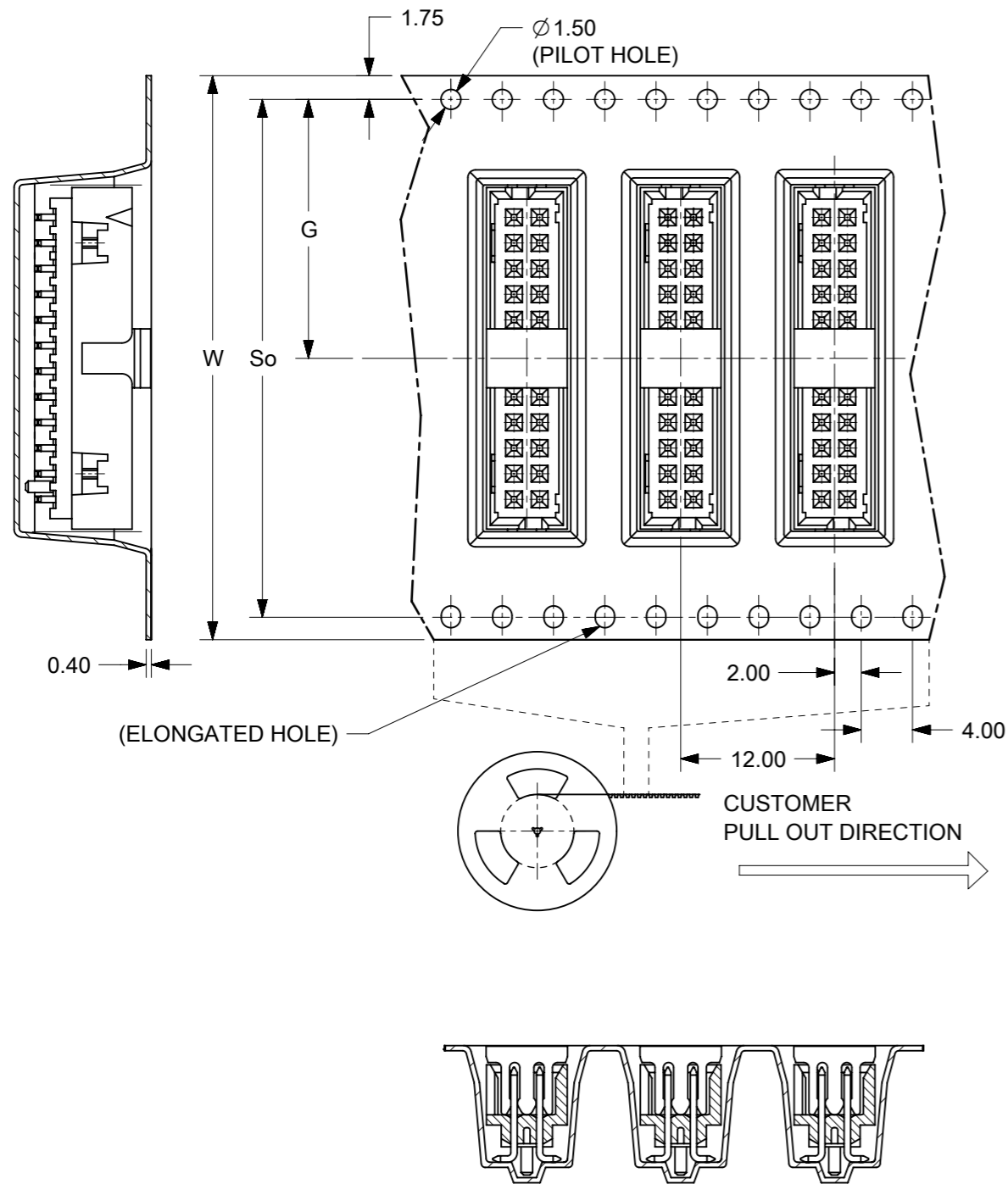
WITHOUT CAP IN TUBE



REF : ORIENTATION OF PART IN TUBE
(FOR THE REFERENCE OF PART/TUBE ASSEMBLY)

THIS DRAWING CONTAINS INFORMATION THAT IS PROPRIETARY TO MOLEX ELECTRONIC TECHNOLOGIES, LLC AND SHOULD NOT BE USED WITHOUT WRITTEN PERMISSION													
MIGRATED TO ECTR EC NO: 119993 DRWN: RMV02 CHK'D: GMENARLY REV APPR: KHLIM	GENERAL TOLERANCES (UNLESS SPECIFIED)		DIMENSION UNITS		SCALE		molex®						
			MM		NTS								
			MM	INCH	DRWN BY		DATE		MGRID, SHROUDED HEADER SMT, W/SINGLE PEG/CAP IN TUBE AND T&R				
	4 PLACES ±		±	±	SKANG		2009/05/06						
	3 PLACES ±		±	±	CHK'D BY		DATE						
	2 PLACES ± 0.2		±	±	ATSEE		2009/05/12		PRODUCT CUSTOMER DRAWING				
1 PLACES ±		±	±	APPR BY		DATE		SERIES MATERIAL NUMBER CUSTOMER					
0 PLACES ±		±	±	MLONG		2009/05/13							87832 SEE TABLE GENERAL MARKET
ANGULAR TOL = 3.0				DRAWING SIZE		THIRD ANGLE PROJECTION		DOCUMENT NUMBER DOC TYPE DOC PART SHEET NUMBER					
DRAFT WHERE APPLICABLE MUST REMAIN WITHIN DIMENSIONS				A3				SD-87832-036 PSD 001 2 OF 3					

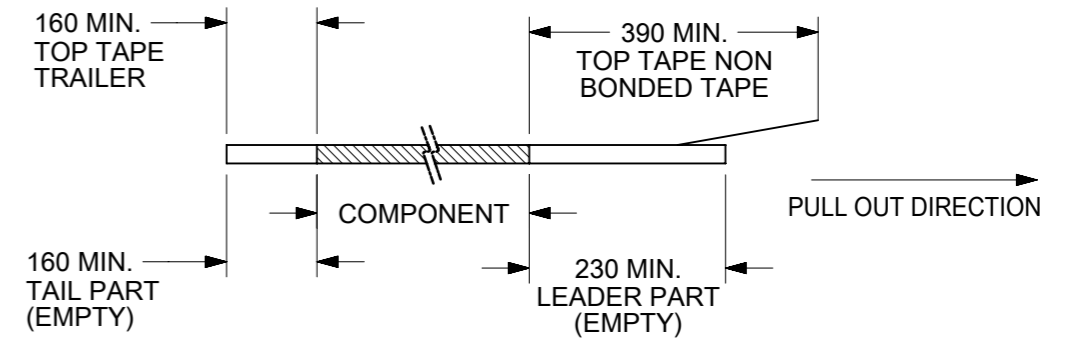
EMBOSSED CARRIER TAPE LAYOUT
24 CKT USE FOR ILLUSTRATION ONLY



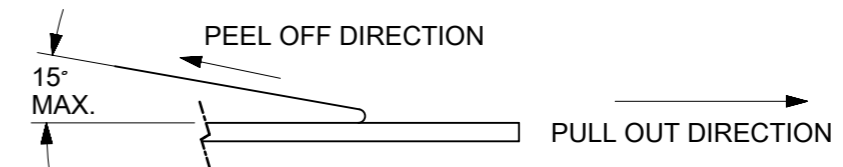
P/N W/O CAP IN TUBE	P/N W/CAP IN TUBE	P/N W/CAP IN TAPE & REEL	CKT SIZE	DIMENSION		
				W	G	So
87832-0850	87832-0852	87832-5352	8	24.00	11.50	-----
87832-1250	87832-1252	87832-5552	12	32.00	14.20	28.40
87832-2250	87832-2252	87832-6052	22	44.00	20.20	40.40

NOTES:

1. LEADER AND TRAILER TAPE



2. PEELING OFF FORCE OF THE TOP TAPE: 20-80gf.
(PEELING DIRECTION AS SHOWN IN FOLLOWING FIGURE)



3. PACKAGING STANDARD IS AS PER EIA-481.

THIS DRAWING CONTAINS INFORMATION THAT IS PROPRIETARY TO MOLEX ELECTRONIC TECHNOLOGIES, LLC AND SHOULD NOT BE USED WITHOUT WRITTEN PERMISSION

MIGRATED TO ECTR EC NO: 119993 DRWN: RMV02 CHK'D: GMENARLY REV APPR: KHLIM	2017/07/12	2017/08/10	2017/08/10	GENERAL TOLERANCES (UNLESS SPECIFIED)		DIMENSION UNITS	SCALE	molex MGRID, SHROUDED HEADER SMT, W/SINGLE PEG/CAP IN TUBE AND T&R			
				MM	INCH	MM	NTS				
				4 PLACES	±	±	DRWN BY	DATE	PRODUCT CUSTOMER DRAWING		
				3 PLACES	±	±	SKANG	2009/05/06			
				2 PLACES	± 0.2	±	CHK'D BY	DATE			
			1 PLACES	±	±	ATSEE	2009/05/12	SERIES: 87832 MATERIAL NUMBER: SEE TABLE CUSTOMER: GENERAL MARKET			
			0 PLACES	±	±	APPR BY	DATE				
						MLONG	2009/05/13	DOCUMENT NUMBER: SD-87832-036 DOC TYPE: PSD DOC PART: 001 SHEET NUMBER: 3 OF 3			
						DRAWING SIZE: A3	THIRD ANGLE PROJECTION				
						DRAFT WHERE APPLICABLE MUST REMAIN WITHIN DIMENSIONS					