

5

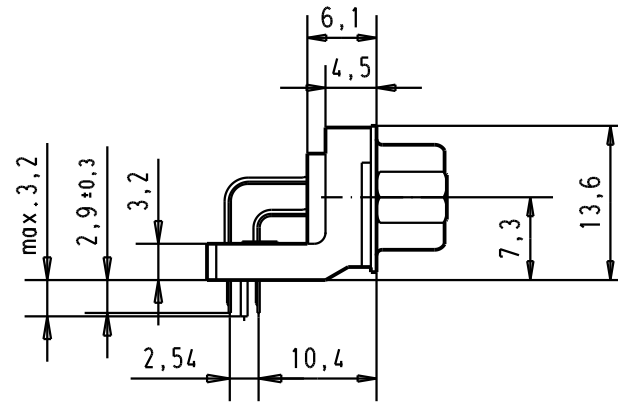
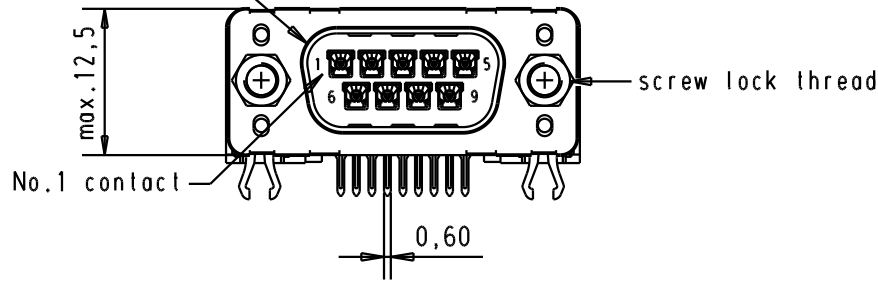
4

3

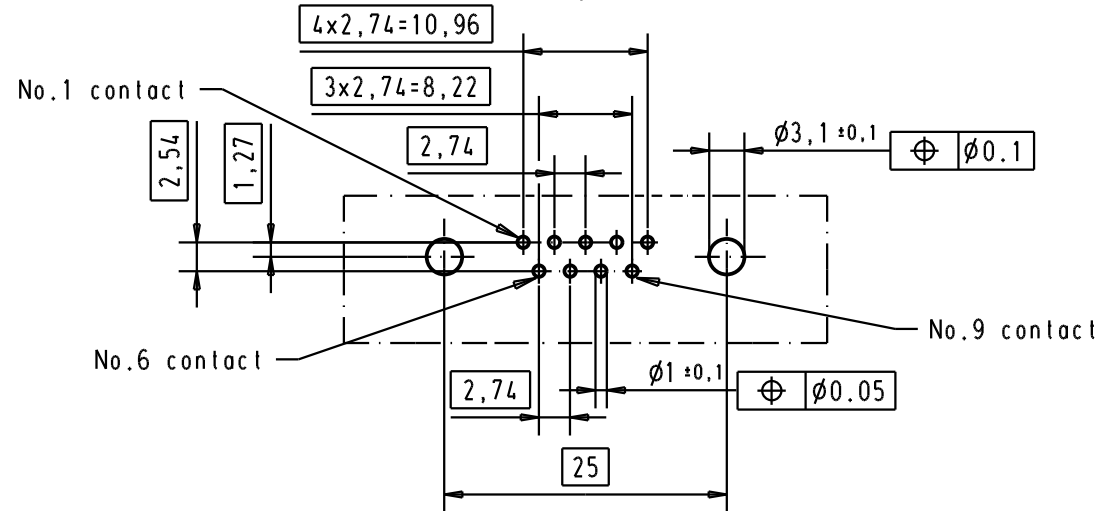
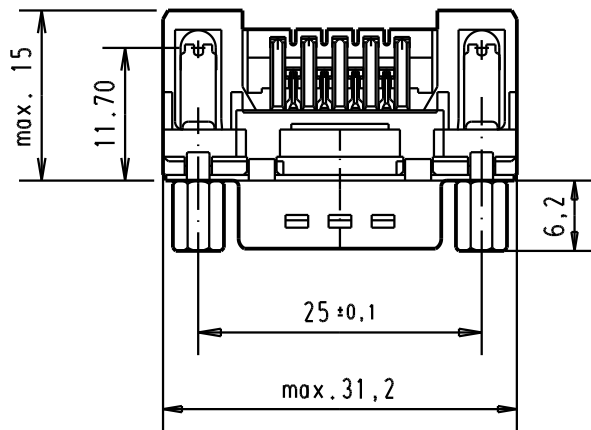
2

1



Mating face according to : MIL-C-24308 / DIN 41652 / CECC 75301-802



Printed board layout
component side



Connector retention and insertion forces on the PCB = 25 / 80 newtons

A	09 65 166 3833	M3	1							 All Dim. in mm Orig. Size DIN A 4	D-Sub, high temperature, male, standard, 09 poles, with solder pins 2.9, screw lock and grounding board lock	Maßstab/ Scale 1.5:1	
	09 65 166 6833	M3	2				Det.	04/09/02	YT				
	09 65 166 7833	M3	3				Insp.						
	09 65 166 3813	4-40 UNC	1				Stand.						
	09 65 166 6813	4-40 UNC	2	31892	22/04/04	JH	HARTING EURL F-95972 Paris						
	09 65 166 7813	4-40 UNC	3	31084	04/09/02	YT							
	Part number	Screw lock thread	Performance level	Mod.	Dat.	Name				Sub.	TB 0965166x8x3 1 / Page		