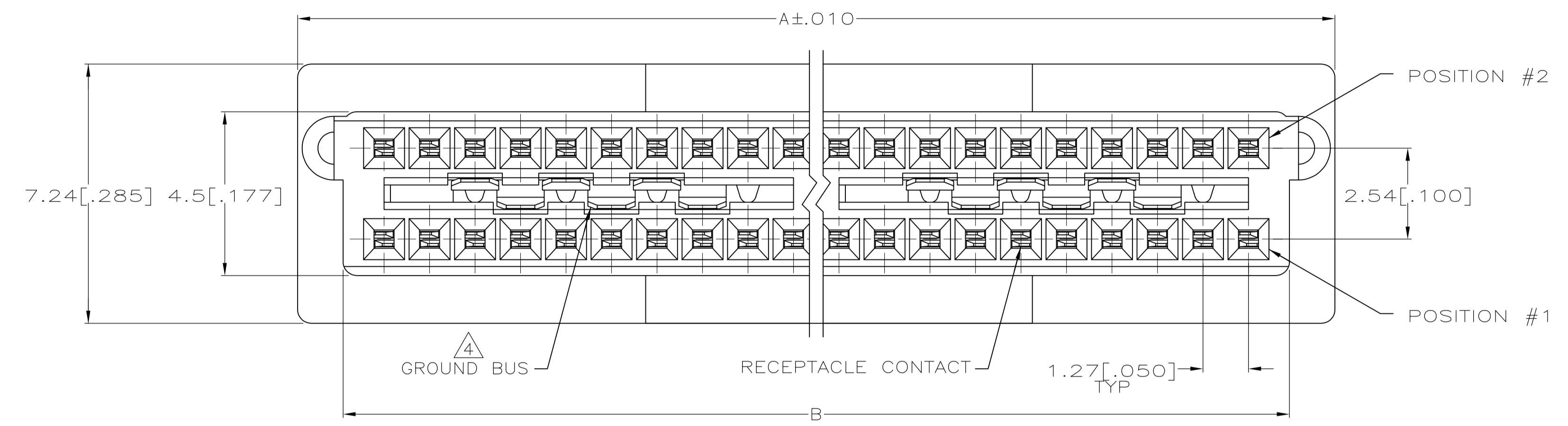
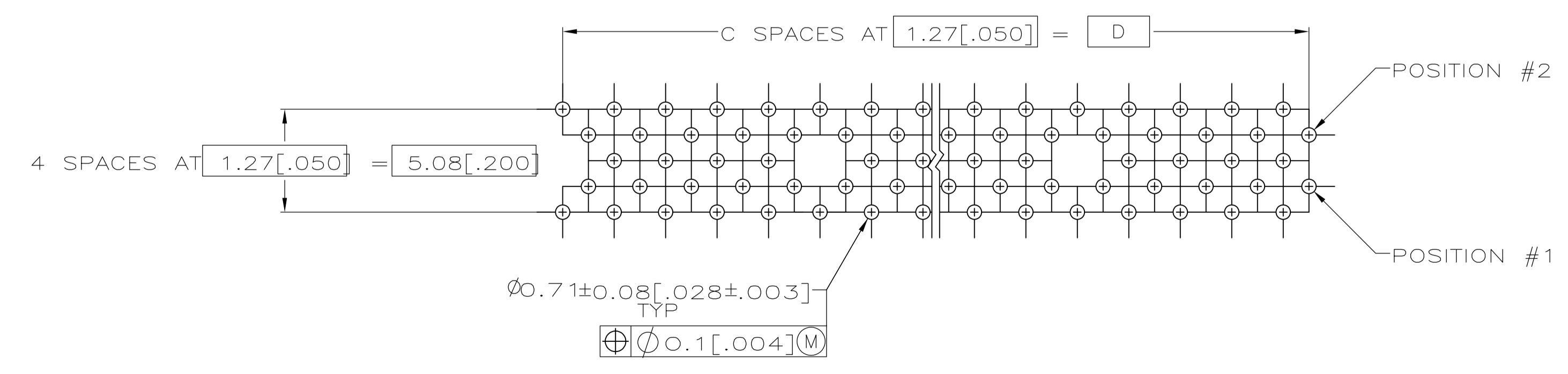
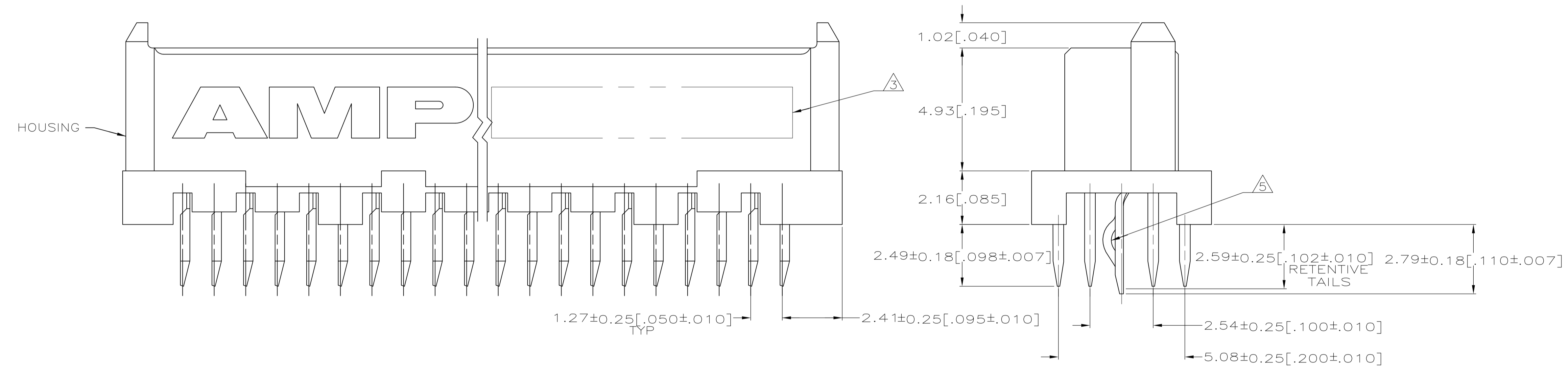


LOC		DIST		REVISIONS			
AD	47	REV	DATE	BY	CHK	APP	
H		REV PER 0512-0553-04	11-9-05	CJL		DRD	
H1		REVISED PER ECO-09-024717	04NOV09	KK		AEG	



- △ HOUSING: HIGH TEMPERATURE THERMOPLASTIC, COLOR NATURAL.
RECEPTACLE CONTACTS: PHOSPHOR BRONZE.
GROUND BUSES: PHOSPHOR BRONZE.
- △ RECEPTACLE CONTACTS: 0.00076[.000030] MIN GOLD IN CONTACT AREA, 0.00254-0.00762[.000100-.000300] TIN-LEAD ON SOLDER TAIL, ALL OVER 0.00127-0.00254[.000050-.000100] NICKEL ON ENTIRE CONTACT.
- △ GROUND BUSES: 0.00076[.000030] MIN GOLD IN CONTACT AREA, 0.00254-0.00762[.000100-.000300] TIN-LEAD ON SOLDER TAIL, ALL OVER 0.00127-0.00254[.000050-.000100] NICKEL ON ENTIRE BUS.
- △ AMP PART NUMBER AND DATE CODE MARKED IN AREA INDICATED, ON SAME SIDE AS AMP LOGO.
- △ ONE GROUND BUS WITH 4 TAILS PER EACH 20 RECEPTACLE CONTACTS.
- △ SECOND TAIL FROM LEFT OF EACH GROUND BUS IS KINKED.
- △ .003 INCH/INCH MAXIMUM BOW ALLOWED.
- △ OBSOLETE PARTS: OBSOLETE CIS STREAMLINING PER D.RENAUD/D.SINISI



OBSOLETE	74.93 [2.950]	59	77.14 [3.037]	79.76 [3.140]	120	536317-5
	62.23 [2.450]	49	64.44 [2.537]	67.06 [2.640]	100	536317-4
△ SUPERCEDED	24.13 [.950]	19	26.34 [1.037]	28.96 [1.140]	40	536317-1
	D	C	B	A	NO OF POS	PART NUMBER

THIS DRAWING IS A CONTROLLED DOCUMENT.		DIN J.GERACE 4-6-93	Tyco Electronics Corporation Harrisburg, PA 17105-3608
DIMENSIONS: mm [INCHES]		CIK D.SINISI 4-6-93	
TOLERANCES UNLESS OTHERWISE SPECIFIED:		APVD D.SINISI 4-6-93	NAME RECEPTACLE ASSEMBLY WITH RETENTIVE TAILS, .098 SIGNAL TAILS, VERTICAL.
0 PLC ± -		PRODUCT SPEC 108-1272	
1 PLC ± -		APPLICATION SPEC 114-11005	SIZE CASE CODE DRAWING NO RESTRICTED TO A1 00779 C=536317
2 PLC ± 0.13[.005]		WEIGHT -	
3 PLC ± -		MATERIAL △ 1	CUSTOMER DRAWING SCALE 10:1 SHEET 1 OF 1 REV H1
4 PLC ANGLES ± -		FINISH △ 2	