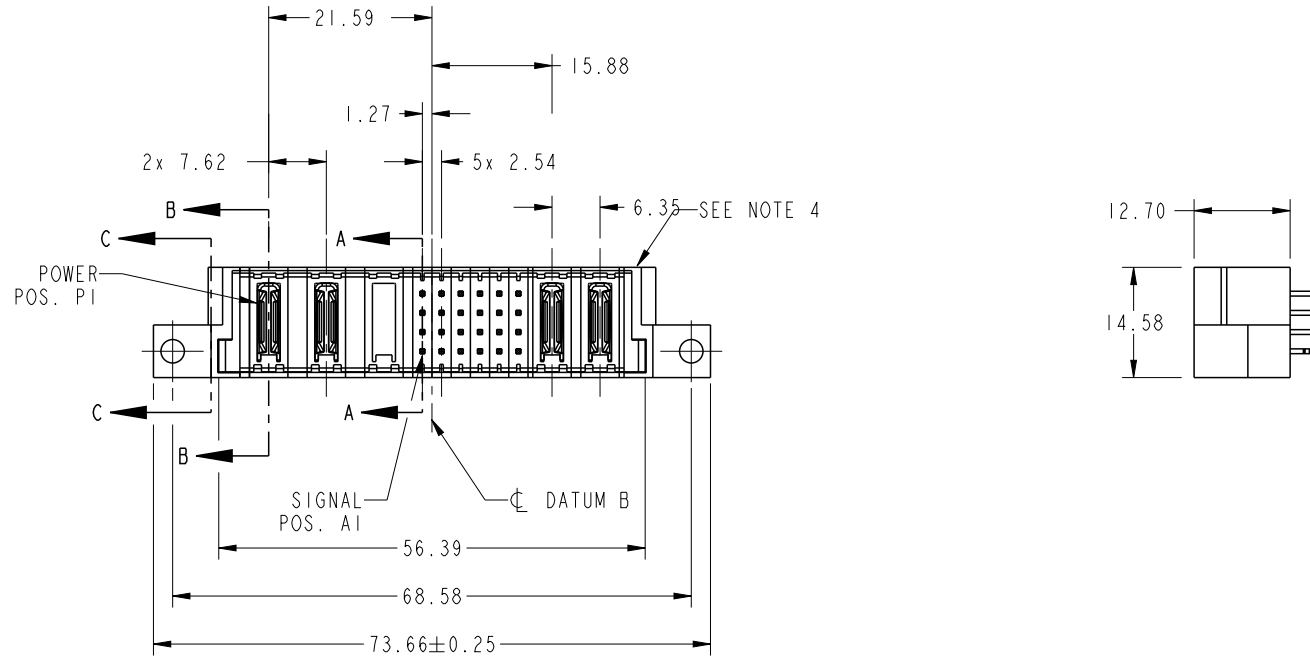


PRODUCT NO.	ROWS	POWER			SIGNAL						POWER		E2
		E1	P1	P2	P3	1	2	3	4	5	6	P4	
51963-081-- NOTE ③	D C B A												



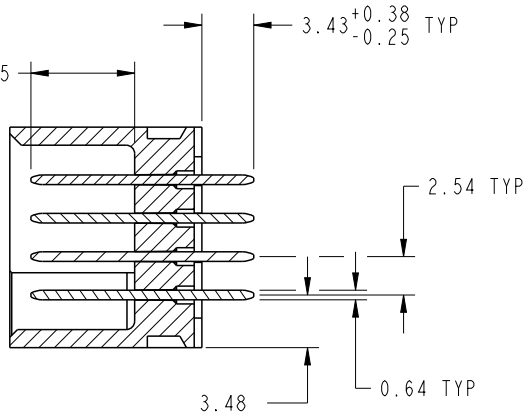
CODE	DIM "M" MATING LENGTH	CONTACT TYPE
PA	[N/A]	POWER
E	[6.86]	SIGNAL
HA	[N/A]	HOLD-DOWN
X		OMITTED

spec ref	See Notes			dr	Jackie Huang	2013/09/19	projection 	MM ←→	size	A4	scale	1:1	
tolerance std	TOLERANCES UNLESS OTHERWISE SPECIFIED			eng	Jackie Huang	2013/11/08			ecn no	-			
See Notes				chr	-	-			rel level	Released			
surface ✓	linear	0.X	±0.50	www.fci.com	FCj	title	3ACP+24S+2P	dwg no	51963-081	rev	A	sheet 1 of 4	
		0.XX	±0.25										
angular	0°	±2°											
				cat. no.	&model_name	Product - Customer Drw							

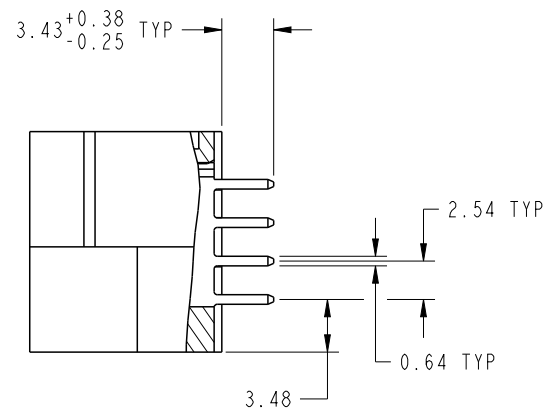
PRODUCT NUMBER

51963-081 --
NOTE 3

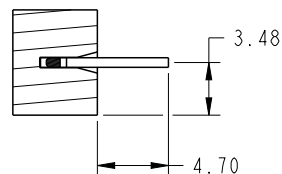
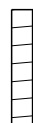
DIM "M" ±0.25



SECTION A-A
SCALE 2:1



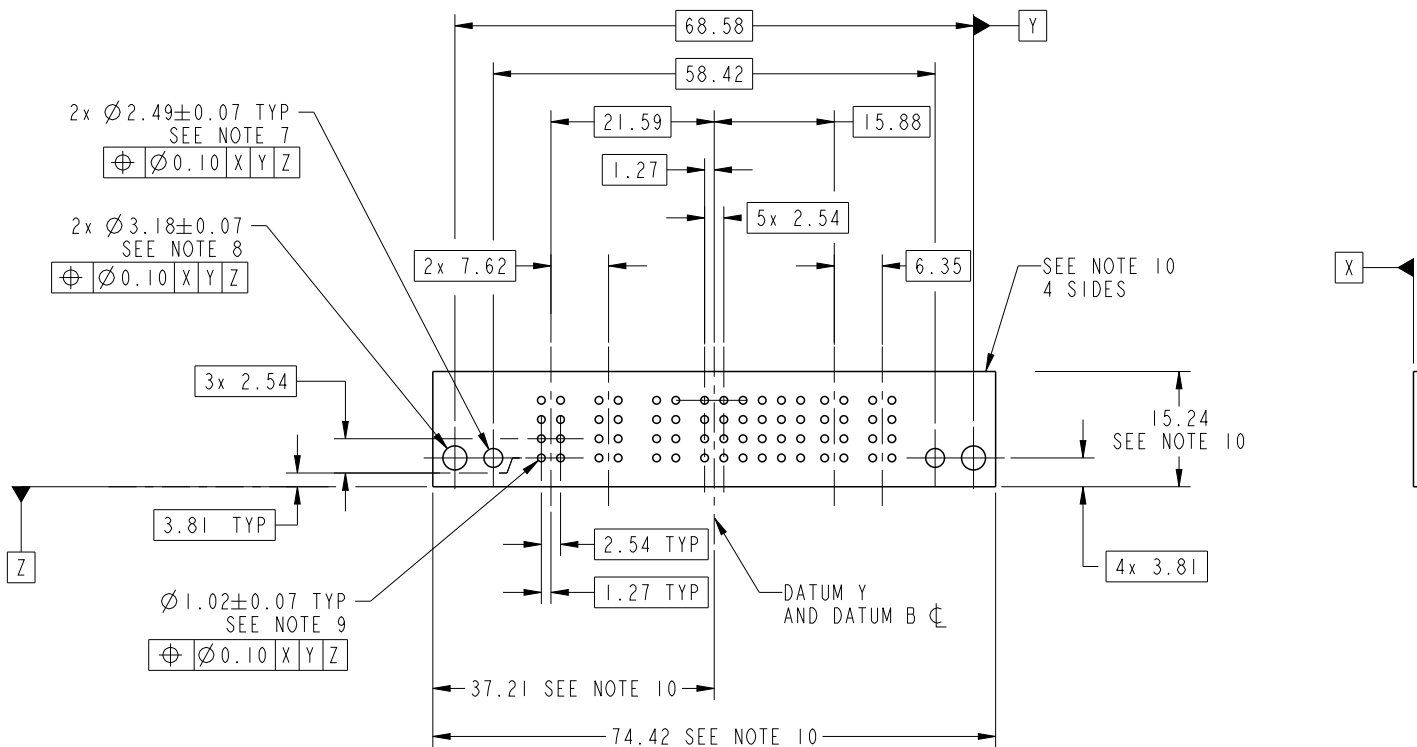
SECTION B-B
SCALE 2:1



dr	Jackie Huang	2013/09/19	projection 	MM 	size	A4	scale	1:1
eng	Jackie Huang	2013/11/08			ecn no	-		
chr	-	-			product family	PwrBlade	rel level	Released
appr	Pei-Ming Zheng	2013/11/08			title 3ACP+24S+2P VERTICAL STB HEADER	dwg no 51963-081	rev A	
www.fci.com		cat. no.	&model_name	Product - Customer Drw	sheet 2 of 4			

PRODUCT NUMBER

51963-081 --
NOTE 3



RECOMMENDED PCB LAYOUT

dr	Jackie Huang	2013/09/19	projection 	MM 	size	A4	scale	1:1	
eng	Jackie Huang	2013/11/08			ecn no	-			
chr	-	-			rel level	Released			
appr	Pei-Ming Zheng	2013/11/08	product family	PwrBlade					
		title	3ACP+24S+2P VERTICAL STB HEADER		dwg no	51963-081		rev	A
www.fci.com		cat. no.	&model_name	Product - Customer Drw		sheet 3 of 4			

PRODUCT NUMBER

51963-081__
NOTE 3

NOTES:

1. DIMENSIONS AND TOLERANCES ARE IN ACCORDANCE WITH ASME Y14.5M, 1994 UNLESS OTHERWISE SPECIFIED.

CONNECTOR NOTES:

- ② HOUSING MATERIAL: UL 94 V-0 GLASS FILLED HIGH-TEMP THERMOPLASTIC
POWER CONTACT MATERIAL: COPPER ALLOY
SIGNAL PIN MATERIAL: COPPER ALLOY
- 3. SEE ITEM 1 & 2 IN PRINT 10064183 FOR PLATING SPEC OF 51963-081 AND 51963-081LF RESPECTIVELY.
- ④ MANUFACTURER'S NAME, DATE CODE AND OPTIONAL P/N TO APPEAR ON THIS SURFACE. THE MARK CAN BE OMITTED IF THERE IS NOT ENOUGH SPACE ON THIS SURFACE.
- 5. PRODUCT SPECIFICATION GS-12-149.
APPLICATION SPECIFICATION BUS-20-067.

6. PACKAGED IN TRAYS.

PCB NOTES:

- 7. ALL HOLE DIAMETERS ARE FINISHED HOLE SIZE.
- 8. MOUNTING HOLES, WHERE APPLICABLE, ARE UNPLATED.

⑨ $\varnothing 1.151 \pm 0.025$ DRILLED HOLES PLATED WITH 0.008 MIN SnPb OR Sn OVER .001 [0.03] TO 0.08 Cu PLATING TO ACHIEVE $\varnothing 1.02 \pm 0.07$ HOLE.

⑩ CONNECTOR KEEP-OUT ZONE.

dr	Jackie Huang	2013/09/19	projection 	MM 	size	A4	scale	1:1
eng	Jackie Huang	2013/11/08			ecn no	-		
chr	-	-			product family	PwrBlade	rel level	Released
appr	Pei-Ming Zheng	2013/11/08			title 3ACP+24S+2P VERTICAL STB HEADER	dwg no 51963-081	rev A	
www.fci.com		cat. no.	&model_name	Product - Customer Drw		sheet 4 of 4		



Copyright FCI.