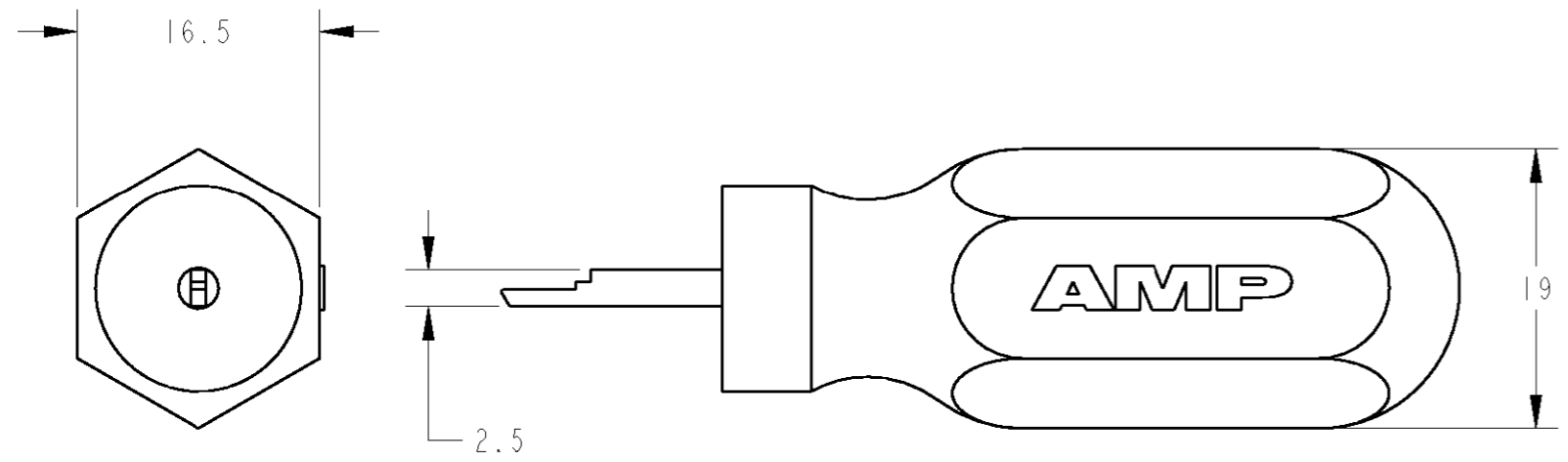
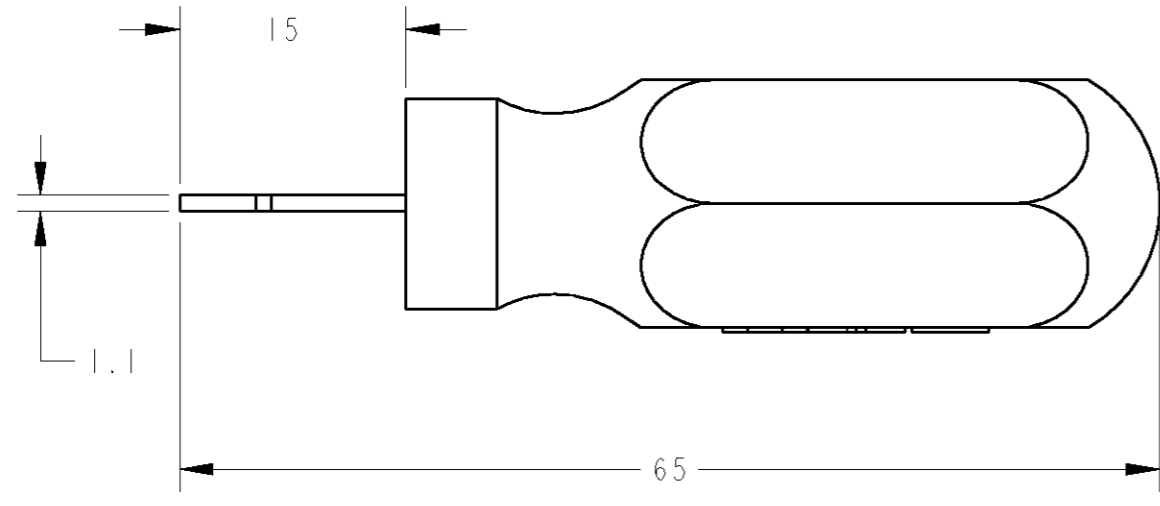


THIS DRAWING IS UNPUBLISHED. RELEASED FOR PUBLICATION 20
 © COPYRIGHT 20 BY TYCO ELECTRONICS CORPORATION. ALL RIGHTS RESERVED.

LOC	DIST	REVISIONS						
		P	LTR	DESCRIPTION	DATE	DWN	APVD	
J	-		0	released	FJ00-1897-01	27-Aug-01	J.K	S.Y



1 APPLICABLE PRODUCTS 通用製品
 TERMINAL (STRIP): 1376347-1, 1376348-1
 HOUSING: 1376388-1, 1-2, 2-3, 3-4 1376389-1, 1-2, 2-3, 3-4
 1376390-1, 1-2, 2-3, 3-4 1376391-1, 1-2, 2-3, 3-4
 1376392-1, 1-2, 2-3, 3-4 1376393-1, 1-2, 2-3, 3-4

2 INSTRUCTION SHEET NO: 411-78009
 取扱説明書番号 : 411-78009

THIS DRAWING IS A CONTROLLED DOCUMENT FOR TYCO ELECTRONICS CORPORATION
 IT IS SUBJECT TO CHANGE AND THE CONTROLLING ENGINEERING ORGANIZATION
 SHOULD BE CONTACTED FOR THE LATEST REVISION.

DIMENSIONS:	TOLERANCES UNLESS OTHERWISE SPECIFIED:
mm	
	0 PLC ±-
	1 PLC ±-
	2 PLC ±-
	3 PLC ±-
	4 PLC ±-
	ANGLES ±-
MATERIAL	FINISH

DWN	J. KOGA	23-Aug-01	AMP Tyco Electronics AMP K.K. Kawasaki, Japan
CHK	J. KOGA	23-Aug-01	
APVD	S. YABE	23-Aug-01	
PRODUCT SPEC			NAME
APPLICATION SPEC			EXT-TOOL FOR 5.0 POWER KEY CONN.
SIZE	CAGE CODE	DRAWING NO	RESTRICTED TO
A3	00779	C-1463644-1	-
CUSTOMER DRAWING			SCALE 2:1 SHEET 1 OF 1 REV 0