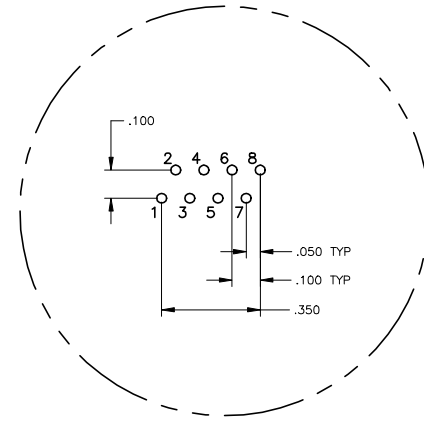
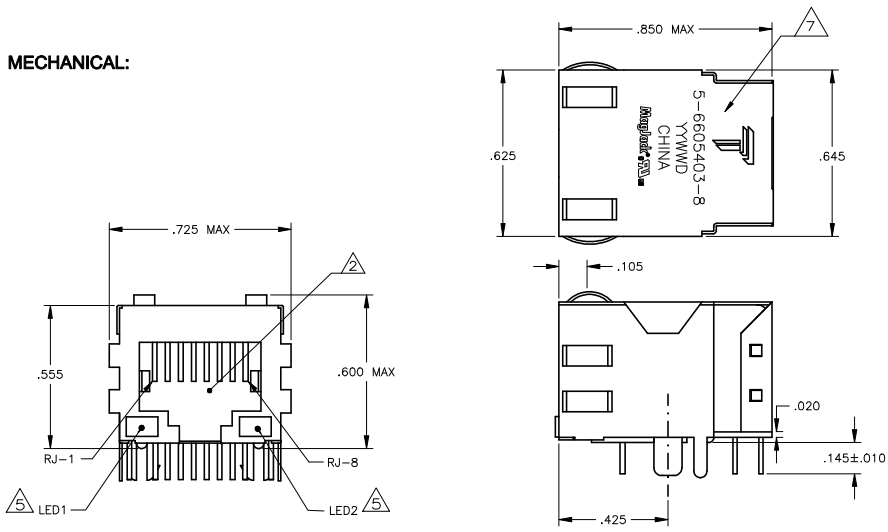


THIS DRAWING AND THE SUBJECT MATTER SHOWN THEREON ARE CONFIDENTIAL AND THE PROPERTY OF BEL/STEWART/TRP CONNECTOR AND SHALL NOT BE REPRODUCED, COPIED, OR USED IN ANY MANNER WITHOUT THE WRITTEN CONSENT OF TRP CONNECTOR.

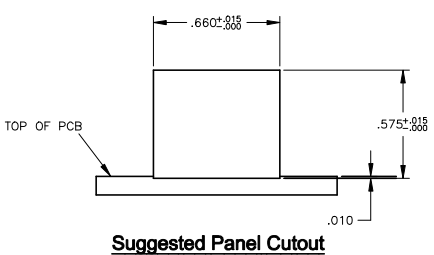
PRODUCT MAY BE PROTECTED BY ONE OR MORE OF THE FOLLOWING US PATENTS:
 5736910 5939955 6425781 6428361 6554638 6840817 7123117
 7429195 7717749 7808751 6217391 6149050 7924130

REVISIONS			
REV	DESCRIPTION	DATE	BY
1	EC-1411035 COMPANY LOGO CHANGE	23DEC2014	ST TL

MECHANICAL:

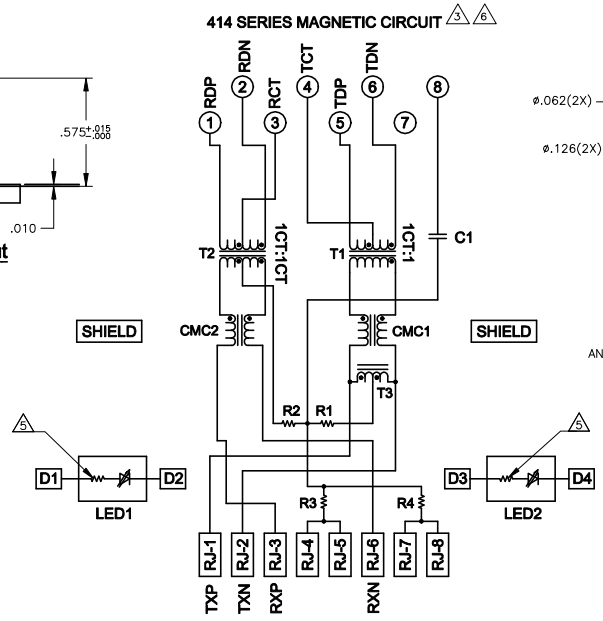


Pin Designations

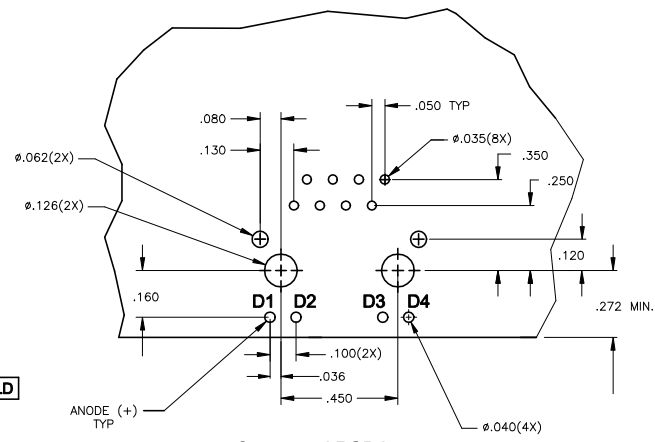


Suggested Panel Cutout

414 SERIES MAGNETIC CIRCUIT



C1-1000pF, 2kV DECOUPLING CAPACITOR
 R1-R4 = 75 OHMS, 1/16 W RESISTORS



Suggested PCB Layout (Component Side)

- MATERIALS:**
 HOUSING - THERMOPLASTIC PET POLYESTER FLAMMABILITY RATING UL 94V-0. SHIELD - .010" THICK, C26800 BRASS PREPLATED WITH 30μINCH SEMI-BRIGHT NICKEL. SOLDER TABS POST DIPPED WITH 100μINCH MIN SAC SOLDER. MOD JACK CONTACTS - 0.0157 X 0.018" PHOSPHOR BRONZE, 50μINCH MIN OVERALL NICKEL UNDERPLATE, WITH SELECT 50μINCH MIN HARD GOLD FINISH PLATE SOLDER TAILS WITH 100μINCH MIN MATTE TIN AND/OR SAC SOLDER DIP. LIGHT EMITTING DIODE(LED) - DIFFUSED EPOXY LENS, .020" x .020" CARBON STEEL WIREFRAME LEADS PRE-PLATED WITH 80μINCH SILVER OVER 4.0μINCH NICKEL UNDERPLATE OVER 4.0μINCH COPPER UNDERPLATE. POST-PLATED WITH 100μINCH MIN MATTE TIN AND/OR SAC SOLDER DIP OR PURE TIN SOLDER DIP.
 RJ45 JACK CAVITY CONFORMS TO FCC RULES AND REGULATIONS PART 68, SUB PART F.
 MAGNETICS
 -IMPEDANCE: 100 OHMS
 -TURNS RATIO (CHIP-CABLE): TX = 11, RX = 11
 -OPEN CIRCUIT INDUCTANCE (OCL): 350μH MIN @100kHz, 0.1VRMS, 8mADC BIAS FROM 0°C TO 70°C, TX AND RX
 -PERFORMANCE @ 25°C:
 INSERTION LOSS (IL): 1.1dB MAX FROM 0.5MHz TO 100MHz
 RETURN LOSS (RL): 18dB MIN FROM 0.5MHz TO 30MHz
 18-20LOG(f/30)dB MIN FROM 30.1MHz TO 60MHz
 12dB MIN FROM 60.1MHz TO 80MHz
 CROSSTALK ATTENUATION: 35dB MIN FROM 0.5MHz TO 40MHz
 33-20LOG(f/50)dB MIN FROM 40.1MHz TO 100MHz
 COMMON MODE REJECTION RATIO (CMRR): 30dB MIN FROM 0.5MHz TO 100MHz
 ISOLATION VOLTAGE: 2250VDC (MAX) FOR 60 SECONDS WITH A RISE TIME OF 500V/SEC.
 OPERATING TEMPERATURE: FROM 0°C TO +70°C.
 THE 250 OHM LED RESISTORS ARE OPTIONAL, PLEASE SEE CHART FOR PRESENCE OR ABSENCE OF LED RESISTORS. IF THE LED WITHOUT 250 OHM RESISTORS, LED IS DRIVEN WITH CONSTANT CURRENT AT APPROX 20mA.
 LED COLOR: DOMINANT WAVELENGTH (AD): GREEN 568 nm TYP @ IF=20mA
 FORWARD VOLTAGE (VF): GREEN 2.2V TYP @ IF=20mA
 DOMINANT WAVELENGTH (AD): YELLOW 588 nm TYP @ IF=20mA
 FORWARD VOLTAGE (VF): YELLOW 2.1V TYP @ IF=20mA
 IF THE LED WITH 250 OHM RESISTORS, LED IS DRIVEN WITH 5V VOLTAGE AND THE MAX OPERATING CURRENT IS 20mA.
 LED COLOR: DOMINANT WAVELENGTH (AD): GREEN 568 nm TYP @ VF=5V
 FORWARD CURRENT (IF): GREEN 12 mA TYP @ VF=5V
 DOMINANT WAVELENGTH (AD): YELLOW 588 nm TYP @ VF=5V
 FORWARD CURRENT (IF): YELLOW 13 mA TYP @ VF=5V
 INDICATED CONNECTIONS ARE FOR NIC CONFIGURATION. THE MAGNETICS ARE ASYMMETRICAL, AND THEREFORE DO NOT SUPPORT AUTO-MDI/MDX.
 TRP CONNECTOR LOGO, PART NUMBER, DATE CODE, COUNTRY OF ORIGIN AND AGENCY APPROVAL MARKING IN APPROXIMATE LOCATION SHOWN.
 THESE PARTS ARE RECOMMENDED FOR WAVE SOLDERING PROCESS, PREHEAT TEMPERATURE IS 120°C TO 160°C, 120 SECONDS TO 180 SECONDS, PEAK SOLDERING TEMPERATURE IS 260°C MAX, 10 SECONDS MAX.

YES	GREEN	YES	GREEN	YES	6-6605403-1
OBsolete	YES	GREEN	NO	YELLOW	NO
OBsolete	NO	GREEN	YES	GREEN	YES
2KV DECOUPLING CAPACITOR	LED1	250 OHMS RESISTOR	LED2	250 OHMS RESISTOR	PART NUMBER

THIS DRAWING IS A CONTROLLED DOCUMENT.		REVISED BY: GATTADA - DOCKS	
DIMENSIONS: INCHES		REVISED BY: GATTADA - DOCKS	
1 1/8" 1/16"		REVISED BY: GATTADA - DOCKS	
1 3/16" 1/16"		REVISED BY: GATTADA - DOCKS	
1 1/2" 1/16"		REVISED BY: GATTADA - DOCKS	
1 3/4" 1/16"		REVISED BY: GATTADA - DOCKS	
2" 1/16"		REVISED BY: GATTADA - DOCKS	
2 1/2" 1/16"		REVISED BY: GATTADA - DOCKS	
3" 1/16"		REVISED BY: GATTADA - DOCKS	
3 1/2" 1/16"		REVISED BY: GATTADA - DOCKS	
4" 1/16"		REVISED BY: GATTADA - DOCKS	
4 1/2" 1/16"		REVISED BY: GATTADA - DOCKS	
5" 1/16"		REVISED BY: GATTADA - DOCKS	
5 1/2" 1/16"		REVISED BY: GATTADA - DOCKS	
6" 1/16"		REVISED BY: GATTADA - DOCKS	
6 1/2" 1/16"		REVISED BY: GATTADA - DOCKS	
7" 1/16"		REVISED BY: GATTADA - DOCKS	
7 1/2" 1/16"		REVISED BY: GATTADA - DOCKS	
8" 1/16"		REVISED BY: GATTADA - DOCKS	
8 1/2" 1/16"		REVISED BY: GATTADA - DOCKS	
9" 1/16"		REVISED BY: GATTADA - DOCKS	
9 1/2" 1/16"		REVISED BY: GATTADA - DOCKS	
10" 1/16"		REVISED BY: GATTADA - DOCKS	
10 1/2" 1/16"		REVISED BY: GATTADA - DOCKS	
11" 1/16"		REVISED BY: GATTADA - DOCKS	
11 1/2" 1/16"		REVISED BY: GATTADA - DOCKS	
12" 1/16"		REVISED BY: GATTADA - DOCKS	
12 1/2" 1/16"		REVISED BY: GATTADA - DOCKS	
13" 1/16"		REVISED BY: GATTADA - DOCKS	
13 1/2" 1/16"		REVISED BY: GATTADA - DOCKS	
14" 1/16"		REVISED BY: GATTADA - DOCKS	
14 1/2" 1/16"		REVISED BY: GATTADA - DOCKS	
15" 1/16"		REVISED BY: GATTADA - DOCKS	
15 1/2" 1/16"		REVISED BY: GATTADA - DOCKS	
16" 1/16"		REVISED BY: GATTADA - DOCKS	
16 1/2" 1/16"		REVISED BY: GATTADA - DOCKS	
17" 1/16"		REVISED BY: GATTADA - DOCKS	
17 1/2" 1/16"		REVISED BY: GATTADA - DOCKS	
18" 1/16"		REVISED BY: GATTADA - DOCKS	
18 1/2" 1/16"		REVISED BY: GATTADA - DOCKS	
19" 1/16"		REVISED BY: GATTADA - DOCKS	
19 1/2" 1/16"		REVISED BY: GATTADA - DOCKS	
20" 1/16"		REVISED BY: GATTADA - DOCKS	
20 1/2" 1/16"		REVISED BY: GATTADA - DOCKS	
21" 1/16"		REVISED BY: GATTADA - DOCKS	
21 1/2" 1/16"		REVISED BY: GATTADA - DOCKS	
22" 1/16"		REVISED BY: GATTADA - DOCKS	
22 1/2" 1/16"		REVISED BY: GATTADA - DOCKS	
23" 1/16"		REVISED BY: GATTADA - DOCKS	
23 1/2" 1/16"		REVISED BY: GATTADA - DOCKS	
24" 1/16"		REVISED BY: GATTADA - DOCKS	
24 1/2" 1/16"		REVISED BY: GATTADA - DOCKS	
25" 1/16"		REVISED BY: GATTADA - DOCKS	
25 1/2" 1/16"		REVISED BY: GATTADA - DOCKS	
26" 1/16"		REVISED BY: GATTADA - DOCKS	
26 1/2" 1/16"		REVISED BY: GATTADA - DOCKS	
27" 1/16"		REVISED BY: GATTADA - DOCKS	
27 1/2" 1/16"		REVISED BY: GATTADA - DOCKS	
28" 1/16"		REVISED BY: GATTADA - DOCKS	
28 1/2" 1/16"		REVISED BY: GATTADA - DOCKS	
29" 1/16"		REVISED BY: GATTADA - DOCKS	
29 1/2" 1/16"		REVISED BY: GATTADA - DOCKS	
30" 1/16"		REVISED BY: GATTADA - DOCKS	
30 1/2" 1/16"		REVISED BY: GATTADA - DOCKS	
31" 1/16"		REVISED BY: GATTADA - DOCKS	
31 1/2" 1/16"		REVISED BY: GATTADA - DOCKS	
32" 1/16"		REVISED BY: GATTADA - DOCKS	
32 1/2" 1/16"		REVISED BY: GATTADA - DOCKS	
33" 1/16"		REVISED BY: GATTADA - DOCKS	
33 1/2" 1/16"		REVISED BY: GATTADA - DOCKS	
34" 1/16"		REVISED BY: GATTADA - DOCKS	
34 1/2" 1/16"		REVISED BY: GATTADA - DOCKS	
35" 1/16"		REVISED BY: GATTADA - DOCKS	
35 1/2" 1/16"		REVISED BY: GATTADA - DOCKS	
36" 1/16"		REVISED BY: GATTADA - DOCKS	
36 1/2" 1/16"		REVISED BY: GATTADA - DOCKS	
37" 1/16"		REVISED BY: GATTADA - DOCKS	
37 1/2" 1/16"		REVISED BY: GATTADA - DOCKS	
38" 1/16"		REVISED BY: GATTADA - DOCKS	
38 1/2" 1/16"		REVISED BY: GATTADA - DOCKS	
39" 1/16"		REVISED BY: GATTADA - DOCKS	
39 1/2" 1/16"		REVISED BY: GATTADA - DOCKS	
40" 1/16"		REVISED BY: GATTADA - DOCKS	
40 1/2" 1/16"		REVISED BY: GATTADA - DOCKS	
41" 1/16"		REVISED BY: GATTADA - DOCKS	
41 1/2" 1/16"		REVISED BY: GATTADA - DOCKS	
42" 1/16"		REVISED BY: GATTADA - DOCKS	
42 1/2" 1/16"		REVISED BY: GATTADA - DOCKS	
43" 1/16"		REVISED BY: GATTADA - DOCKS	
43 1/2" 1/16"		REVISED BY: GATTADA - DOCKS	
44" 1/16"		REVISED BY: GATTADA - DOCKS	
44 1/2" 1/16"		REVISED BY: GATTADA - DOCKS	
45" 1/16"		REVISED BY: GATTADA - DOCKS	
45 1/2" 1/16"		REVISED BY: GATTADA - DOCKS	
46" 1/16"		REVISED BY: GATTADA - DOCKS	
46 1/2" 1/16"		REVISED BY: GATTADA - DOCKS	
47" 1/16"		REVISED BY: GATTADA - DOCKS	
47 1/2" 1/16"		REVISED BY: GATTADA - DOCKS	
48" 1/16"		REVISED BY: GATTADA - DOCKS	
48 1/2" 1/16"		REVISED BY: GATTADA - DOCKS	
49" 1/16"		REVISED BY: GATTADA - DOCKS	
49 1/2" 1/16"		REVISED BY: GATTADA - DOCKS	
50" 1/16"		REVISED BY: GATTADA - DOCKS	
50 1/2" 1/16"		REVISED BY: GATTADA - DOCKS	
51" 1/16"		REVISED BY: GATTADA - DOCKS	
51 1/2" 1/16"		REVISED BY: GATTADA - DOCKS	
52" 1/16"		REVISED BY: GATTADA - DOCKS	
52 1/2" 1/16"		REVISED BY: GATTADA - DOCKS	
53" 1/16"		REVISED BY: GATTADA - DOCKS	
53 1/2" 1/16"		REVISED BY: GATTADA - DOCKS	
54" 1/16"		REVISED BY: GATTADA - DOCKS	
54 1/2" 1/16"		REVISED BY: GATTADA - DOCKS	
55" 1/16"		REVISED BY: GATTADA - DOCKS	
55 1/2" 1/16"		REVISED BY: GATTADA - DOCKS	
56" 1/16"		REVISED BY: GATTADA - DOCKS	
56 1/2" 1/16"		REVISED BY: GATTADA - DOCKS	
57" 1/16"		REVISED BY: GATTADA - DOCKS	
57 1/2" 1/16"		REVISED BY: GATTADA - DOCKS	
58" 1/16"		REVISED BY: GATTADA - DOCKS	
58 1/2" 1/16"		REVISED BY: GATTADA - DOCKS	
59" 1/16"		REVISED BY: GATTADA - DOCKS	
59 1/2" 1/16"		REVISED BY: GATTADA - DOCKS	
60" 1/16"		REVISED BY: GATTADA - DOCKS	
60 1/2" 1/16"		REVISED BY: GATTADA - DOCKS	
61" 1/16"		REVISED BY: GATTADA - DOCKS	
61 1/2" 1/16"		REVISED BY: GATTADA - DOCKS	
62" 1/16"		REVISED BY: GATTADA - DOCKS	
62 1/2" 1/16"		REVISED BY: GATTADA - DOCKS	
63" 1/16"		REVISED BY: GATTADA - DOCKS	
63 1/2" 1/16"		REVISED BY: GATTADA - DOCKS	
64" 1/16"		REVISED BY: GATTADA - DOCKS	
64 1/2" 1/16"		REVISED BY: GATTADA - DOCKS	
65" 1/16"		REVISED BY: GATTADA - DOCKS	
65 1/2" 1/16"		REVISED BY: GATTADA - DOCKS	
66" 1/16"		REVISED BY: GATTADA - DOCKS	
66 1/2" 1/16"		REVISED BY: GATTADA - DOCKS	
67" 1/16"		REVISED BY: GATTADA - DOCKS	
67 1/2" 1/16"		REVISED BY: GATTADA - DOCKS	
68" 1/16"		REVISED BY: GATTADA - DOCKS	
68 1/2" 1/16"		REVISED BY: GATTADA - DOCKS	
69" 1/16"		REVISED BY: GATTADA - DOCKS	
69 1/2" 1/16"		REVISED BY: GATTADA - DOCKS	
70" 1/16"		REVISED BY: GATTADA - DOCKS	
70 1/2" 1/16"		REVISED BY: GATTADA - DOCKS	
71" 1/16"		REVISED BY: GATTADA - DOCKS	
71 1/2" 1/16"		REVISED BY: GATTADA - DOCKS	
72" 1/16"		REVISED BY: GATTADA - DOCKS	
72 1/2" 1/16"		REVISED BY: GATTADA - DOCKS	
73" 1/16"		REVISED BY: GATTADA - DOCKS	
73 1/2" 1/16"		REVISED BY: GATTADA - DOCKS	
74" 1/16"		REVISED BY: GATTADA - DOCKS	
74 1/2" 1/16"		REVISED BY: GATTADA - DOCKS	
75" 1/16"		REVISED BY: GATTADA - DOCKS	
75 1/2" 1/16"		REVISED BY: GATTADA - DOCKS	
76" 1/16"		REVISED BY: GATTADA - DOCKS	
76 1/2" 1/16"		REVISED BY: GATTADA - DOCKS	
77" 1/16"		REVISED BY: GATTADA - DOCKS	
77 1/2" 1/16"		REVISED BY: GATTADA - DOCKS	
78" 1/16"		REVISED BY: GATTADA - DOCKS	
78 1/2" 1/16"		REVISED BY: GATTADA - DOCKS	
79" 1/16"		REVISED BY: GATTADA - DOCKS	
79 1/2" 1/16"		REVISED BY: GATTADA - DOCKS	
80" 1/16"		REVISED BY: GATTADA - DOCKS	
80 1/2" 1/16"		REVISED BY: GATTADA - DOCKS	
81" 1/16"		REVISED BY: GATTADA - DOCKS	
81 1/2" 1/16"		REVISED BY: GATTADA - DOCKS	
82" 1/16"		REVISED BY: GATTADA - DOCKS	
82 1/2" 1/16"		REVISED BY: GATTADA - DOCKS	
83" 1/16"		REVISED BY: GATTADA - DOCKS	
83 1/2" 1/16"		REVISED BY: GATTADA - DOCKS	
84" 1/16"		REVISED BY: GATTADA - DOCKS	
84 1/2" 1/16"		REVISED BY: GATTADA - DOCKS	
85" 1/16"		REVISED BY: GATTADA - DOCKS	
85 1/2" 1/16"		REVISED BY: GATTADA - DOCKS	
86" 1/16"		REVISED BY: GATTADA - DOCKS	
86 1/2" 1/16"		REVISED BY: GATTADA - DOCKS	
87" 1/16"		REVISED BY: GATTADA - DOCKS	
87 1/2" 1/16"		REVISED BY: GATTADA - DOCKS	
88" 1/16"		REVISED BY: GATTADA - DOCKS	
88 1/2" 1/16"		REVISED BY: GATTADA - DOCKS	
89" 1/16"		REVISED BY: GATTADA - DOCKS	
89 1/2" 1/16"		REVISED BY: GATTADA - DOCKS	
90" 1/16"		REVISED BY: GATTADA - DOCKS	
90 1/2" 1/16"		REVISED BY: GATTADA - DOCKS	
91" 1/16"		REVISED BY: GATTADA - DOCKS	
91 1/2" 1/16"		REVISED BY: GATTADA - DOCKS	
92" 1/16"		REVISED BY: GATTADA - DOCKS	
92 1/2" 1/16"		REVISED BY: GATTADA - DOCKS	
93" 1/16"		REVISED BY: GATTADA - DOCKS	
93 1/2" 1/16"		REVISED BY: GATTADA - DOCKS	
94" 1/16"		REVISED BY: GATTADA - DOCKS	
94 1/2" 1/16"		REVISED BY: GATTADA - DOCKS	
95" 1/16"		REVISED BY: GATTADA - DOCKS	
95 1/2" 1/16"		REVISED BY: GATTADA - DOCKS	
96" 1/16"		REVISED BY: GATTADA - DOCKS	
96 1/2" 1/16"		REVISED BY: GATTADA - DOCKS	
97" 1/16"		REVISED BY: GATTADA - DOCKS	
97 1/2" 1/16"		REVISED BY: GATTADA - DOCKS	
98" 1/16"		REVISED BY: GATTADA - DOCKS	
98 1/2" 1/16"		REVISED BY: GATTADA - DOCKS	
99" 1/16"		REVISED BY: GATTADA - DOCKS	
99 1/2" 1/16"		REVISED BY: GATTADA - DOCKS	
100" 1/16"		REVISED BY: GATTADA - DOCKS	
100 1/2" 1/16"		REVISED BY: GATTADA - DOCKS	