



**PART No. 1418N4S16Y24QT**

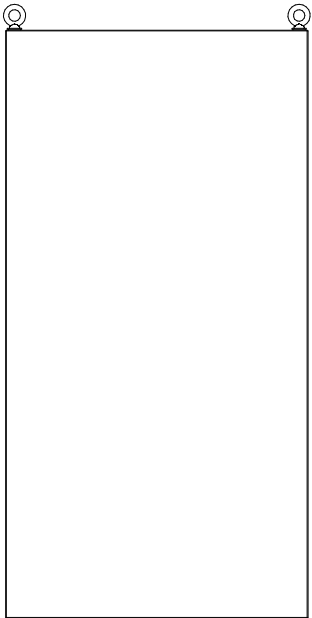
for more information visit  
[www.hammfg.com](http://www.hammfg.com)

Data subject to change without notice

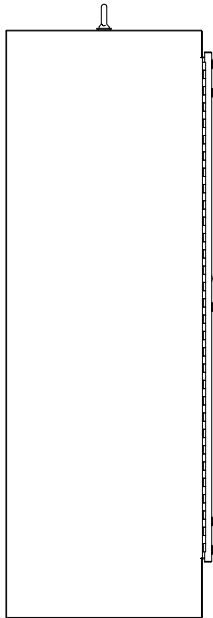
Isometric drawing Not to Scale



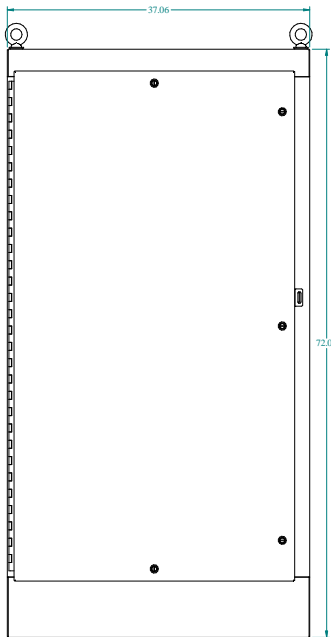
TOP VIEW



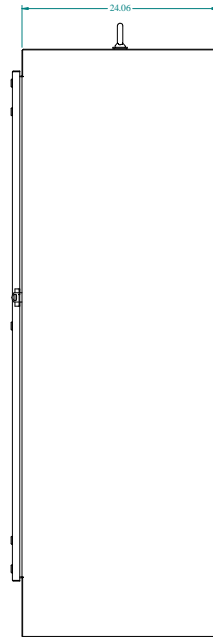
BACK VIEW



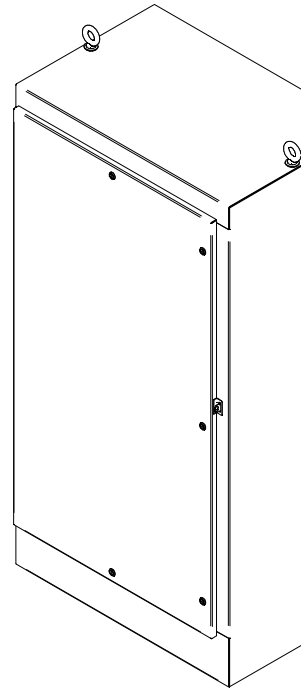
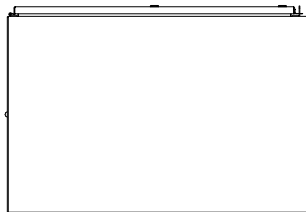
SIDE VIEW



FRONT VIEW



SIDE VIEW



ISOMETRIC VIEW