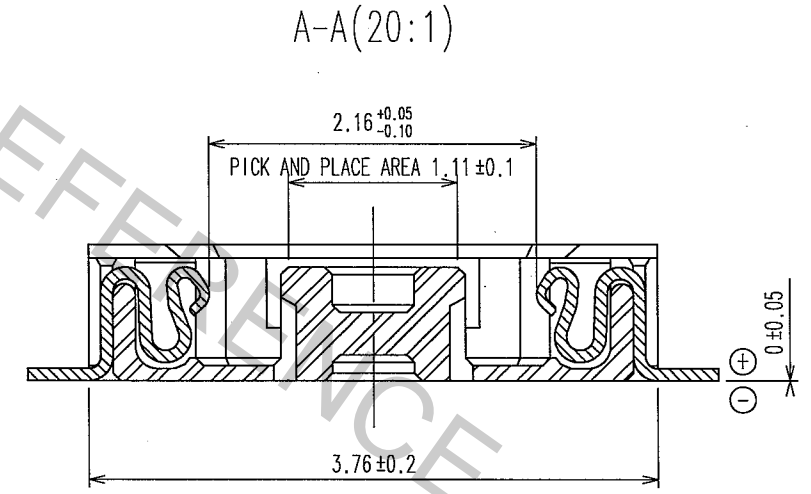
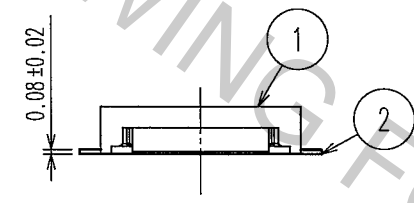
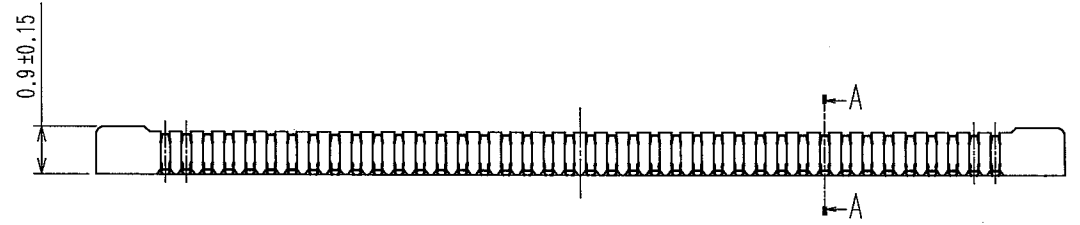
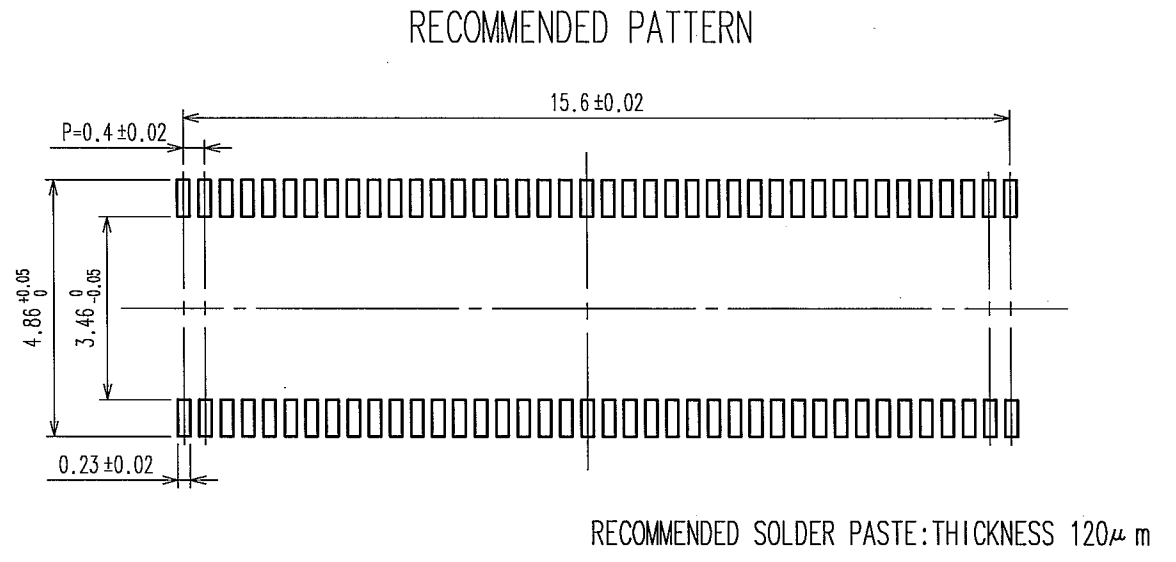
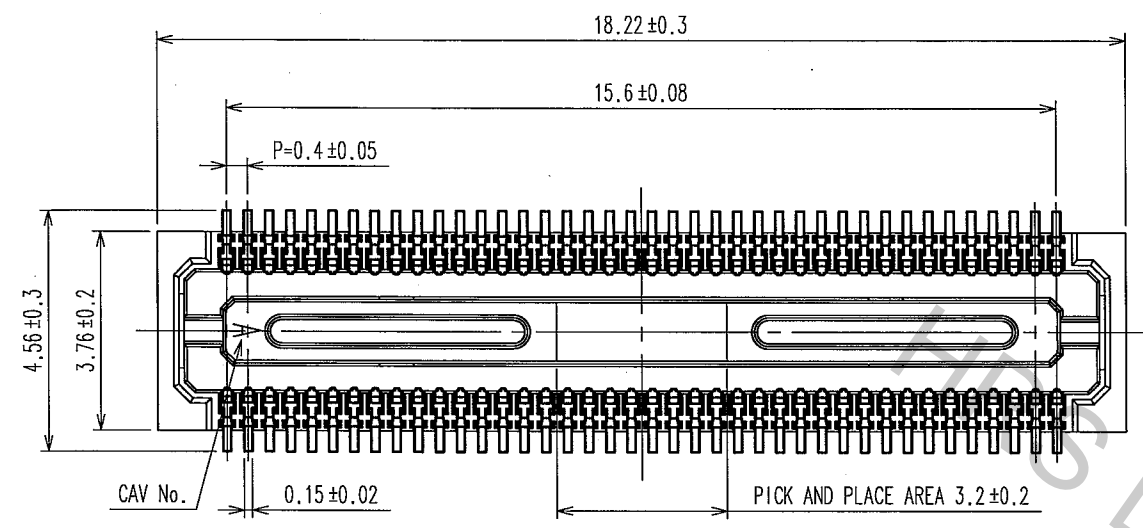


Apr.1.2017 Copyright 2017 HIROSE ELECTRIC CO., LTD. All Rights Reserved.

| COUNT | DESCRIPTION OF REVISIONS | BY | CHKD | DATE | COUNT | DESCRIPTION OF REVISIONS | BY | CHKD | DATE |
|-------|--------------------------|-----|------|----------|-------|--------------------------|----|------|------|
| 3 | RE-H-06741 | A.T | A.T | 05.01.28 | | | | | |
| 1 | DIS-H-001096 | A.A | T.M | 06.06.29 | | | | | |



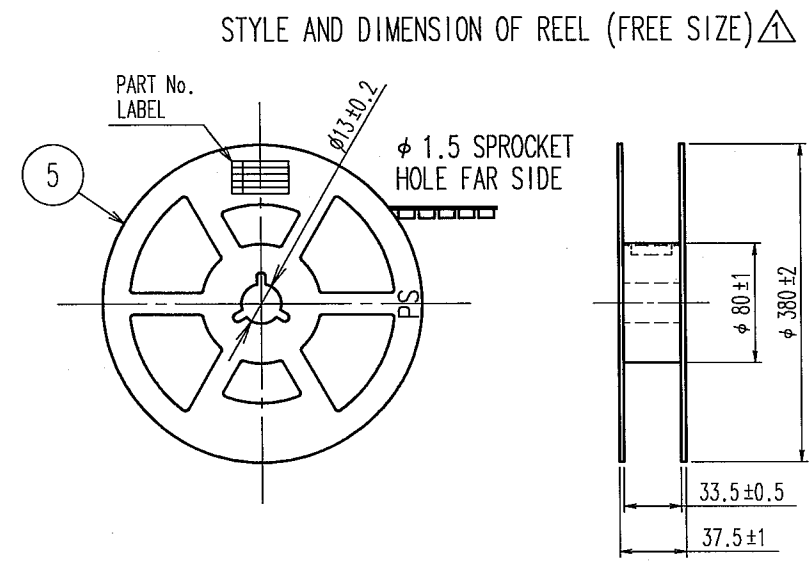
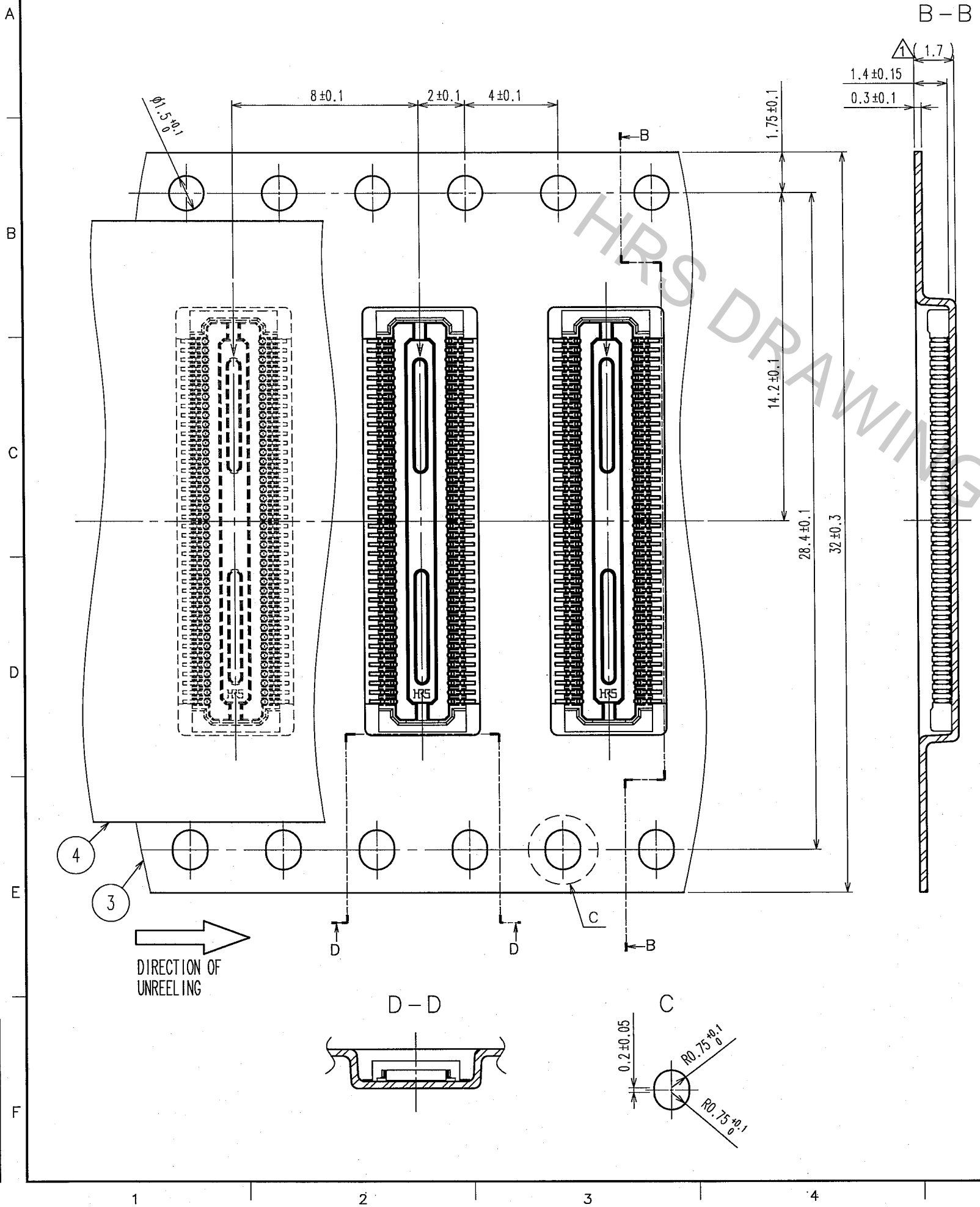
NOTE 1. ALL LEADS CO-PLANARITY SHALL BE 0.1 MAX.
 2. PER REEL : 5000 CONNECTORS.
 3. AT THE BEGINNING OF THE REEL, 100 MM AT MIN SHALL BE EMPTY POCKETS.
 AT THE END OF THE REEL, 160 MM AT MIN SHALL BE EMPTY POCKETS.
 4. CONTACT PLATING SPECIFICATIONS.
 CONTACT AREA : GOLD 0.05µm MIN.
 SMT LEAD : GOLD 0.02µm MIN.
 UNDERPLATING : NICKEL 1µm MIN.
 (SURFACE : SEALING)

| 2 | PHOSPHOR BRONZE | 4 | 5 | PS | PLASTIC REEL (BLACK) |
|----------------|-----------------|--------------------------|--------------|-----------|-------------------------------|
| 1 | LCP | UL94V-0, BLACK | 4 | POLYESTER | CLEAR (COVER TAPE) |
| | | | 3 | PS | CLEAR (EMBOSSED CARRIER TAPE) |
| NO. | MATERIAL | FINISH, REMARKS | NO. | MATERIAL | FINISH, REMARKS |
| CODE NO. (OLD) | | DRAWN | DESIGNED | CHECKED | APPROVED |
| | | T.NISHI | K.MIDORIKAWA | K.IKEDA | T.OMA |
| | | '04.07.30 | '04.07.30 | '04.07.30 | '04.07.30 |
| DRAWING NO. | | PART NO. | | | |
| EDC3-303468-04 | | DF30FC-80DS-0.4V(81) | | | |
| SCALE | | CODE NO. | | | |
| FREE | | CL684-1116-3-81 | | | |
| UNITS | | HRS | | 1/2 | |
| mm | | HIROSE ELECTRIC CO., LTD | | | |

TO

Apr.1.2017 Copyright 2017 HIROSE ELECTRIC CO., LTD. All Rights Reserved.

| 5 | 6 | 7 | 8 | | | | | | |
|-------|--------------------------|----|------|------|-------|--------------------------|----|------|------|
| COUNT | DESCRIPTION OF REVISIONS | BY | CHKD | DATE | COUNT | DESCRIPTION OF REVISIONS | BY | CHKD | DATE |
| | | | | | | | | | |
| | | | | | | | | | |
| | | | | | | | | | |



DETAIL OF PART NO. LABEL

| | |
|----------------------|----------------------|
| SUPPLIER | |
| QUANTITY | |
| PART NO. | |
| CODE NO. | |
| DATE OF MANUFACTURED | |
| 生産月日 | 年 月 日 |
| 図番 | CL684-1116-3-81 |
| 品名 | DF30FC-80DS-0.4V(81) |
| 納入数量 | 5000個 |
| 納入者 | ヒロセ電機(株) |

| | | | | | |
|----------------|--------------------------|---------------|-----------|-----------|----------|
| CODE NO. (OLD) | DRAWN | DESIGNED | CHECKED | APPROVED | RELEASED |
| | T. NISHI | K. MIDORIKAWA | K. IKEDA | T. OMA | |
| | '04.07.30 | '04.07.30 | '04.07.30 | '04.07.30 | |
| DRAWING NO. | PART NO. | | | | |
| EDC3-303468-04 | DF30FC-80DS-0.4V(81) | | | | |
| SCALE | CODE NO. | | | | |
| 5 : 1 | CL684-1116-3-81 | | | | |
| UNITS | HRS | | | | |
| mm | HIROSE ELECTRIC CO., LTD | | | | |

| |
|----|
| TO |
| |
| |
| |