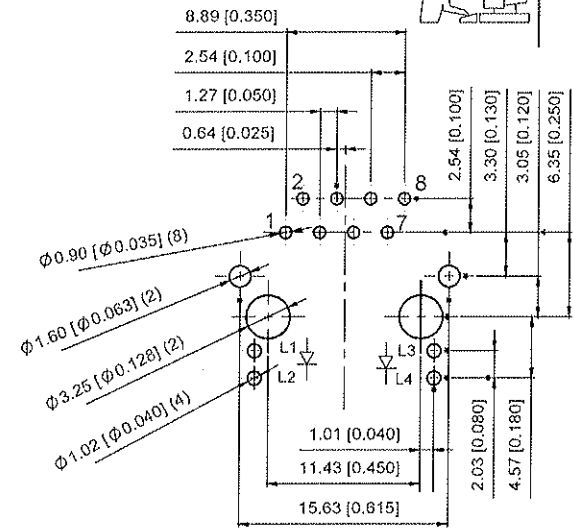
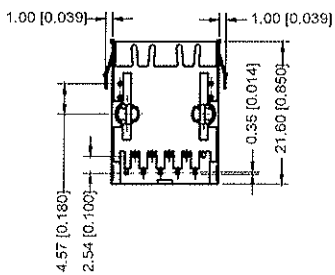
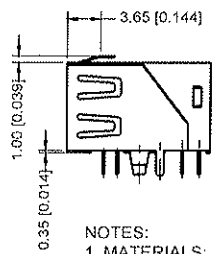
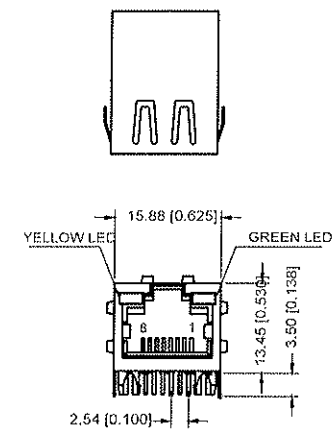


TOLERANCE UNLESS OTHERWISE SPECIFIED IN MM.
 0 ± 0.50 ANGLE 3°
 0.0 ± 0.35
 0.00 ± 0.25
 0.000 ± 0.10

THIS IS A C.A.D. GENERATED DRAWING
 DO NOT MAKE MANUAL REVISIONS TO MASTER.

ISSUE NUMBER
 ORIGINAL ①



RECOMMENDED P.C.B. LAYOUT
 TOLERANCE: ±0.05 [±0.002]

NOTES:
 1. MATERIALS:
 HOUSING: HIGH TEMPERATURE NYLON, UL94 V-0, COLOR: BLACK
 CONTACTS: 0.35MM PHOSPHOR BRONZE PLATED WITH GOLD PLATING AND TIN IN SOLDER AREA

PART NO	GOLD PLATING THICKNESS
A63-112-213N491	GOLD FLASH PLATING
A63-113-213N491	15 MICRO INCHES OF GOLD
A63-114-213N491	30 MICRO INCHES OF GOLD

- SHIELD: 0.20MM COPPER ALLOY WITH NICKEL PLATING
 2. OPERATING TEMPERATURE: 0°C TO +70°C
 3. MATE WITH MODULAR PLUG CONFORMING TO FCC PART 68, SUBPART F.
 4. DIMENSION: MM [INCHES]

RJ45 MAGNETIC JACK WITH LED, 8P, 8C SHIELDED/10/100 Mbps FILTER		ACAD REFERENCE NO.: A63-112-213N491	
		DRAWN: R.STA.MONICA	DATE: NOV.19/2010
		CHECKED:	DATE:
		PART NUMBER	
		SEE NOTE	SHEET 1 OF 2
		DRAWING NUMBER	ISSUE
		A63-112-213N491	1



THIS SERIES FULLY CONFORMS TO THE EUROPEAN UNION DIRECTIVES 2002/95/EC AND 2002/96/EC FOR RoHS COMPLIANCE.

EDAC INC
 TORONTO, ONTARIO
 CANADA
 YOUR CONNECTION TO QUALITY & SERVICE

THESE DRAWINGS AND SPECIFICATIONS ARE THE PROPERTY OF EDAC INC. AND SHALL NOT BE REPRODUCED OR COPIED OR USED AS THE BASIS FOR THE MANUFACTURE OR SALE OF APPARATUS WITHOUT WRITTEN PERMISSION.

ELECTRICAL CIRCUIT:

THIS IS A C.A.D. GENERATED DRAWING
DO NOT MAKE MANUAL REVISIONS TO MASTER.



ISSUE NUMBER
ORIGINAL (1)

TEST NOTES:(25±5°C)

1.TR:(100KHz,0.1V);

PINS:(P5-P6):(J1-J2)=1:1±3%

PINS:(P1-P2):(J3-J6)=1:1±3%

2.LX:(100KHz,100mV,8mA, DC Bias)

PINS:(P5,P6),(P1,P2)=350uH MINIMUM

3.DCR:

PINS:(J1-J2),(J3-J6)= 1.2 OHMS MAXIMUM

4.HIPOT:

PINS(P5,P4,P6)TO(J1,J2)=1500VAC FOR 2 SECONDS

PINS(P1,P3,P2)TO(J3,J6)=1500VAC FOR 2 SECONDS

5.INSERTION LOSS:

-1.0dB MAXIMUM AT 1MHz TO 100MHz;

6.RETURN LOSS:

-20dB MINIMUM AT 1MHz TO 30MHz;

-15dB MINIMUM AT 30MHz TO 60MHz

-10dB MINIMUM AT 60MHz TO 80MHz

7.CROSS TALK:

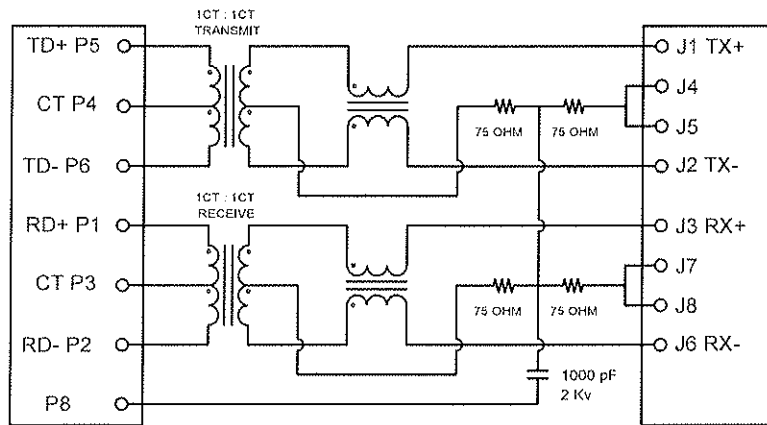
-30dB MINIMUM AT 1MHz TO 100MHz

8.COMMON TO COMMON MODE REJECTION:

-30dB MINIMUM AT 1MHz TO 100MHz

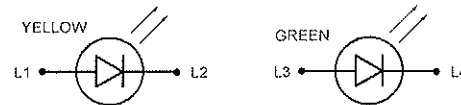
CONNECTOR SOLDER SIDE

RJ45 CONTACT SIDE



Color	Lens Color	Vf(v) @20mA		Iv(mcd) @10mA		Viewing angle
		Min	Max	Min	Typ	
Yellow	Yellow Diffused	1.7	2.8	3.0	6.0	116
Green	Green Diffused	1.7	2.8	3.5	6.0	116

LED CIRCUIT:



RJ45 MAGNETIC JACK WITH LED, 8P, 8C
SHIELDED/10/100 Mbps FILTER

ACAD REFERENCE NO.: A63-112-213N491

DRAWN/R.STA.MONICA DATE: NOV,19/2010

CHECKED: DATE:

PART NUMBER

SEE NOTE

DRAWING NUMBER
A63-112-213N491

ISSUE
1



THIS SERIES FULLY CONFORMS TO THE
EUROPEAN UNION DIRECTIVES 2002/95/EC
AND 2002/96/EC FOR RoHS COMPLIANCY.



EDAC INC
TORONTO, ONTARIO
CANADA

YOUR CONNECTION TO QUALITY & SERVICE

THESE DRAWINGS AND SPECIFICATIONS
ARE THE PROPERTY OF EDAC INC. AND
SHALL NOT BE REPRODUCED OR COPIED
OR USED AS THE BASIS FOR THE
MANUFACTURE OR SALE OF APPARATUS
WITHOUT WRITTEN PERMISSION.