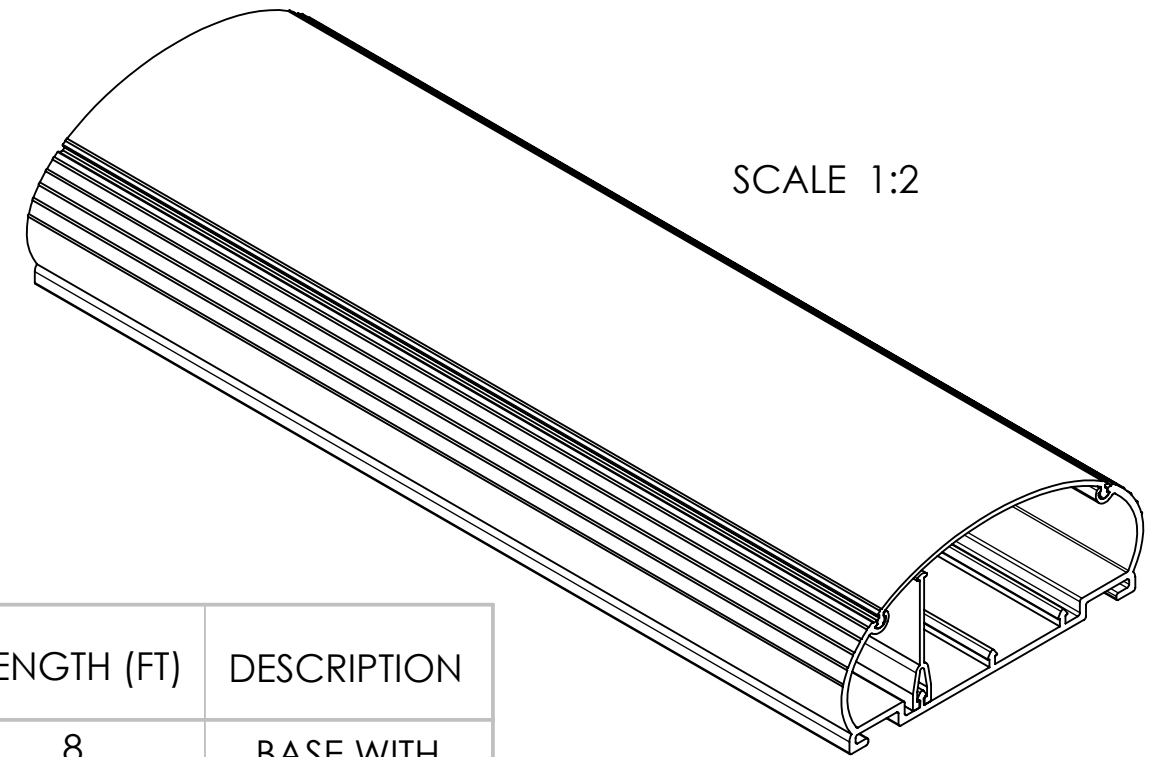
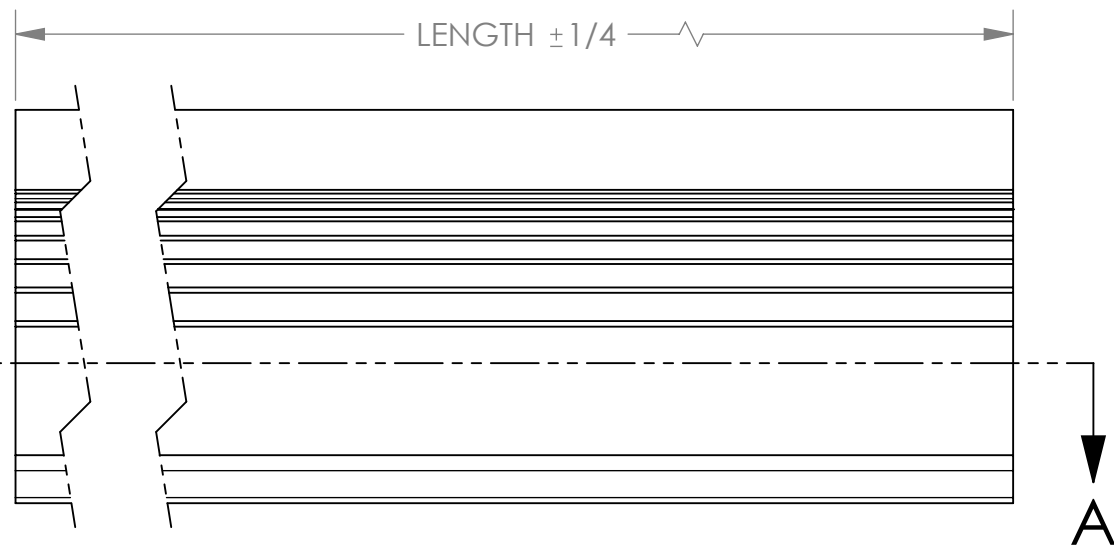
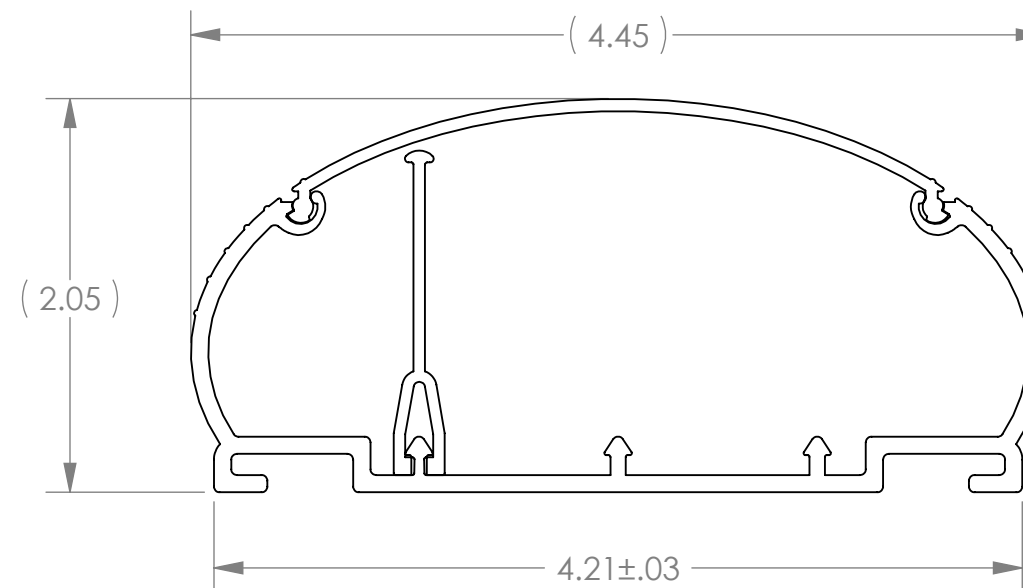


SECTION A-A



SCALE 1:2

PART NUMBER	LENGTH (FT)	DESCRIPTION
MCRX-BS8	8	BASE WITH SIDE DIVIDER
MCRX-BS10	10	
MCRX-C8	8	COVER
MCRX-C10	10	



PART NO. DESCRIPTION

MCRX -xxx

COLOR: CONTACT FACTORY FOR AVAILABLE COLORS.

INVENTORS

HellermannTyton®

ALL PROPRIETARY RIGHTS IN THE SUBJECT MATTER SHOWN ON THIS DRAWING ARE EXCLUSIVE PROPERTY OF HELLERMANNTYTON

name	date	city,	state

NOTES

1) DIVIDER AND COVER NOT FIXED IN PLACE (AS SHOWN) WHEN SHIPPED

REVISION

level	03
by	AAC
date	10/15/2010
ECN #	011660
part level	-

DIMENSIONS

.XXXX	= ±.0005
.XXX	= ±.005
.XX	= ±.02
.X	= ±.03
∠	= ±0.5°
unless otherwise specified	
units	inches

PART

number	SEE CHART	phase	Production
name	MULTI-CHANNEL RACEWAY WITH SIDE DIVIDER		
material	PVC		

DRAWING

format	B	CAD	SW 2007	scale	1:1
version N					
computer file number	DT2013301CST_03		previous number		
drawn	M.E.F.	checked	KAC	approved	
date	04/01/2001	checked	10/15/2010		
type	Customer			sheet 1 of 1	
number	DT2013301CST				