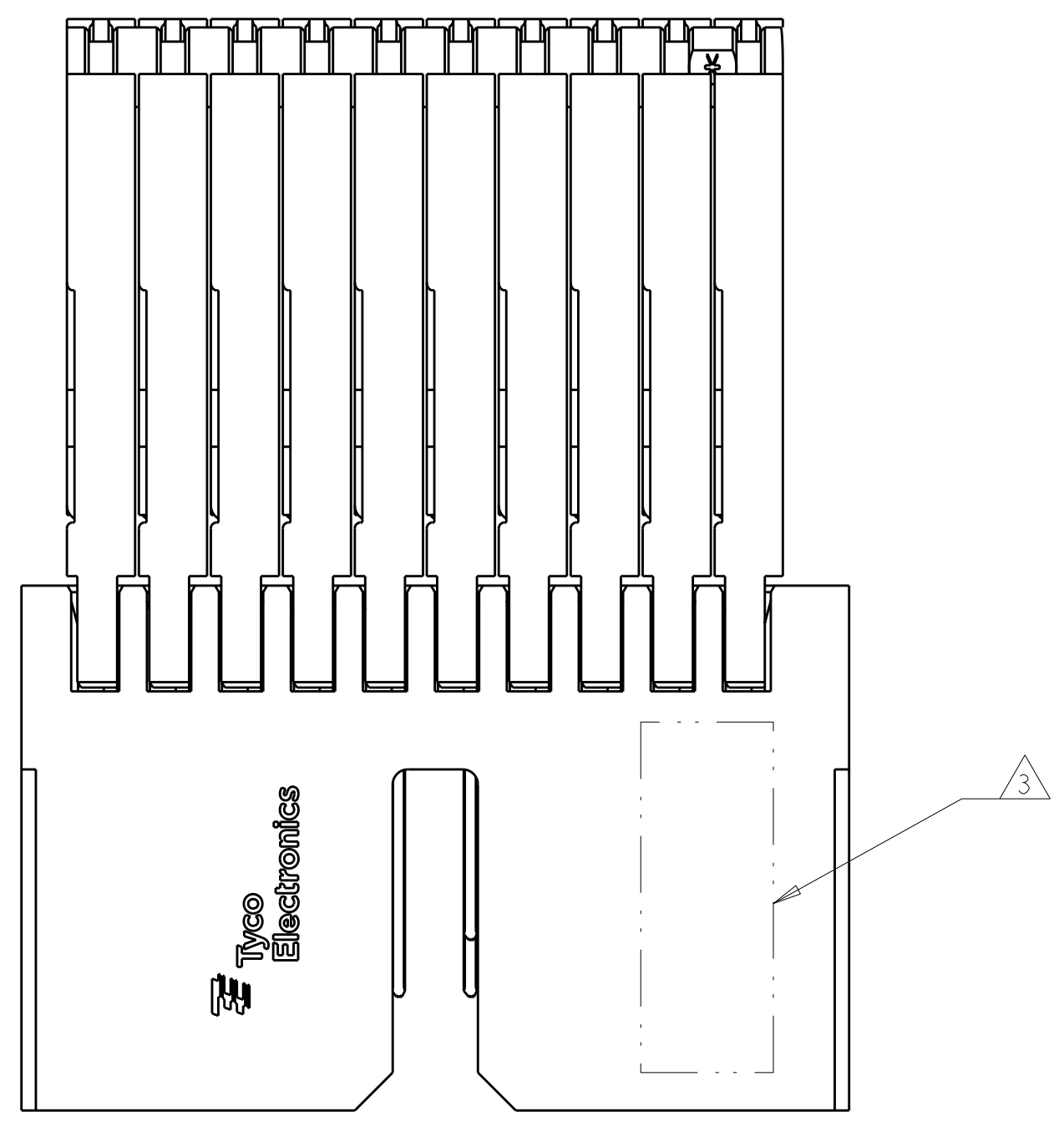
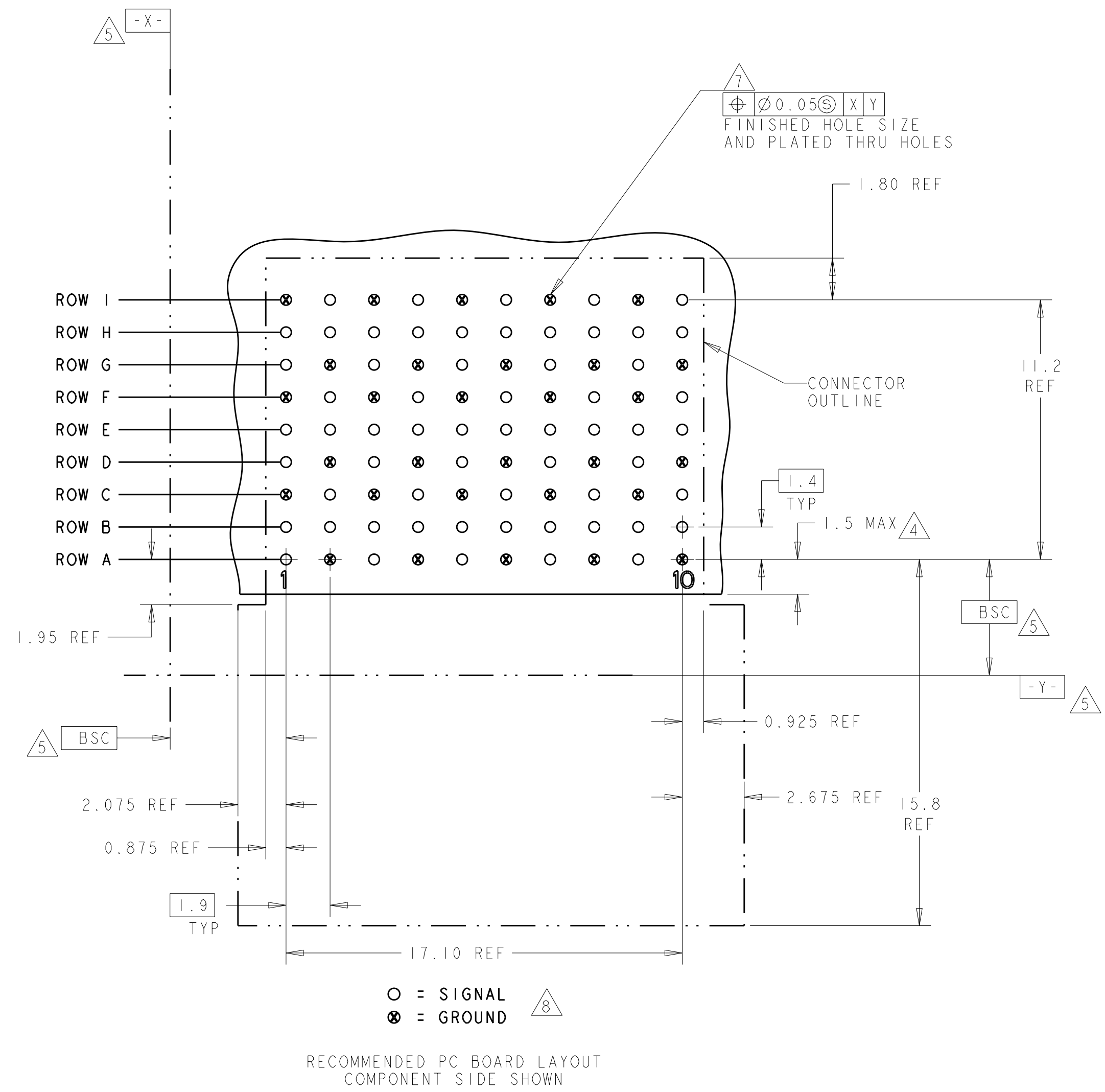
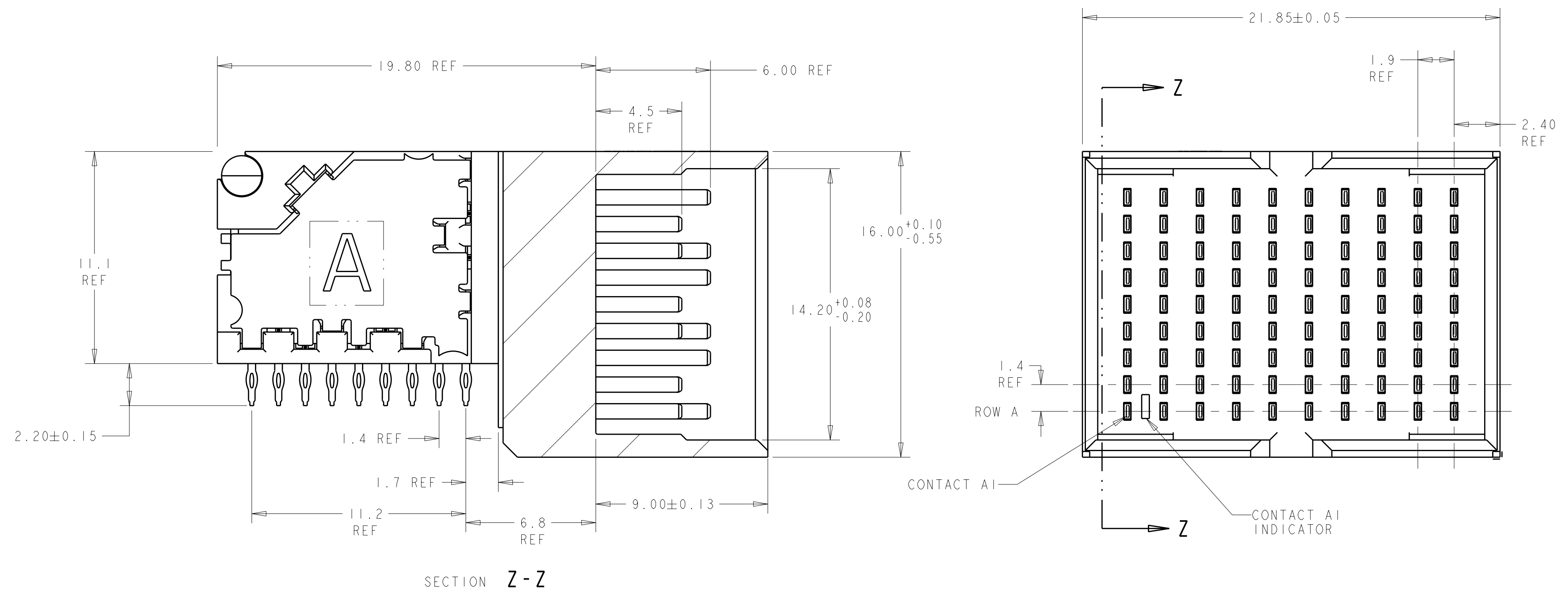


LOC	DIST	REV	DATE	DWN	APVD
AD	00	B	30APR2012	KH	RP
REVISIONS					
DESCRIPTION			DATE	DWN	APVD
REVISED PER ECO-12-006575			30APR2012	KH	RP



- 1 MATERIAL:
 CONTACT AND SHIELD: PHOS BRONZE
 HOUSING AND CHICKLET: LCP, UL 94V-0, COLOR: BLACK
- 2 FINISH:
 CONTACT AREA FINISH CONFORMS TO THE REQUIREMENTS OF TE PRODUCT SPECIFICATION 108-2303; BASED ON TELCORDIA GR-1217-CORE FOR SYSTEM QUALITY LEVEL III APPLICATIONS IN CONTROLLED ENVIRONMENTS (CENTRAL OFFICE).
- 3 CONNECTOR MARKED WITH PART NUMBER, DATE CODE, 85 OHM, AND STANDARD IN APPROXIMATE AREA SHOWN.
- 4 DIMENSION APPLIES TO CENTERLINE OF THRU HOLE.
- 5 DATUMS AND BASIC DIMENSIONS ESTABLISHED BY CUSTOMER.
- 6 CONTACT AREA LUBRICATED WITH BELLCORE APPROVED LUBRICANT. TECHNICAL REFERENCE: GR-1217-CORE, ISSUE 1, NOVEMBER 1995.
- 7 REFERENCE APPLICATION SPEC FOR RECOMMENDED PLATED THRU HOLE DIAMETER AND PLATING THICKNESS.
- 8 ALL GROUNDS IN ODD NUMBERED COLUMNS ARE COMMONED. ALL GROUNDS IN EVEN NUMBERED COLUMNS, EXCEPT FOR ROW A ARE COMMONED.



1934950-1
 PART NUMBER

THIS DRAWING IS A CONTROLLED DOCUMENT. DWN: W. SOUBREER 01MAY2008
 CHK: C. RITIER 01MAY2008

STE TE Connectivity

NAME: RIGHT ANGLE HEADER ASSEMBLY, DOUBLE WALL, 3 PAIR, 10 COLUMN, Z-PACK TinMan

PRODUCT SPEC: 108-2303-1
 APPLICATION SPEC: 114-13243

SIZE: A100779 C=1934950
 WEIGHT: -

CUSTOMER DRAWING SCALE: 6:1 SHEET 1 OF 1 REV B