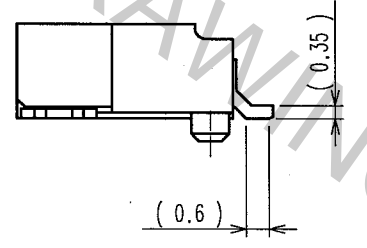
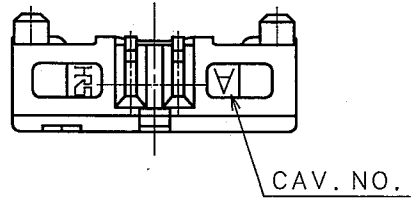
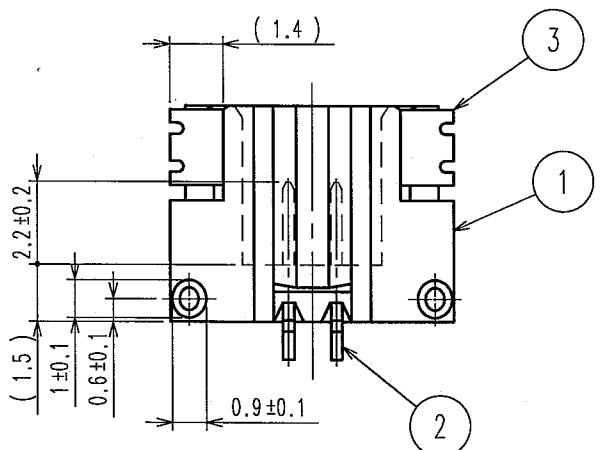
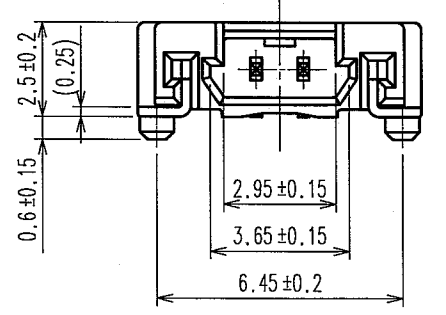
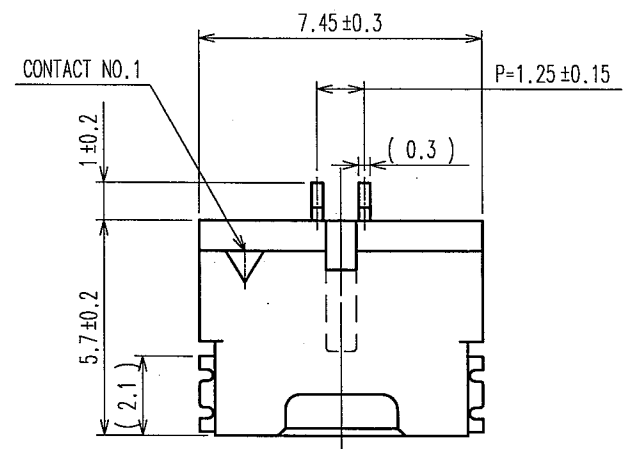
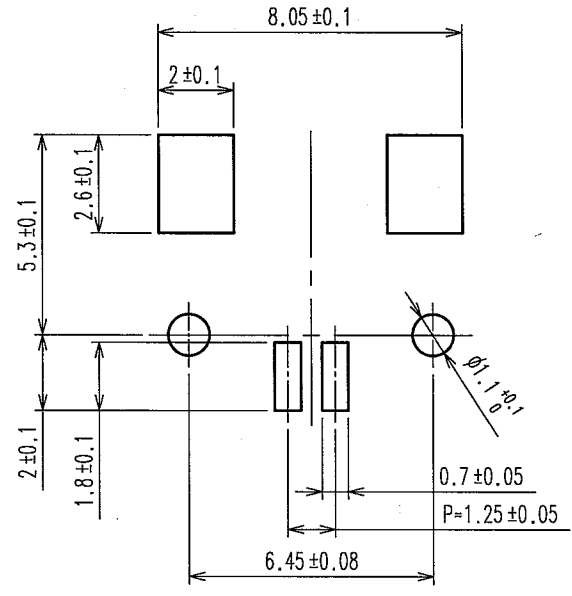


Apr.1.2017 Copyright 2017 HIROSE ELECTRIC CO., LTD. All Rights Reserved.

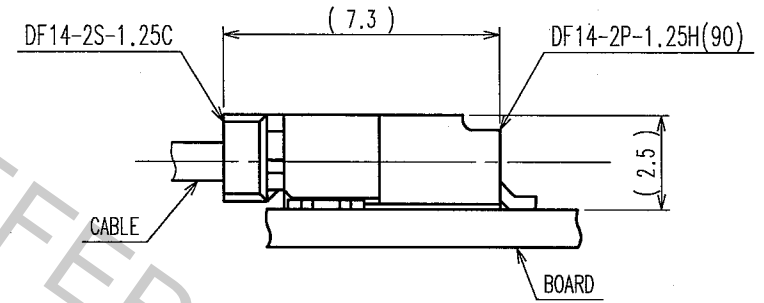
COUNT	DESCRIPTION OF REVISIONS	BY	CHKD	DATE	COUNT	DESCRIPTION OF REVISIONS	BY	CHKD	DATE
△				..	△				..
△				..	△				..
△				..	△				..



RECOMMENDED PATTERN



APPLICATION PATTERN



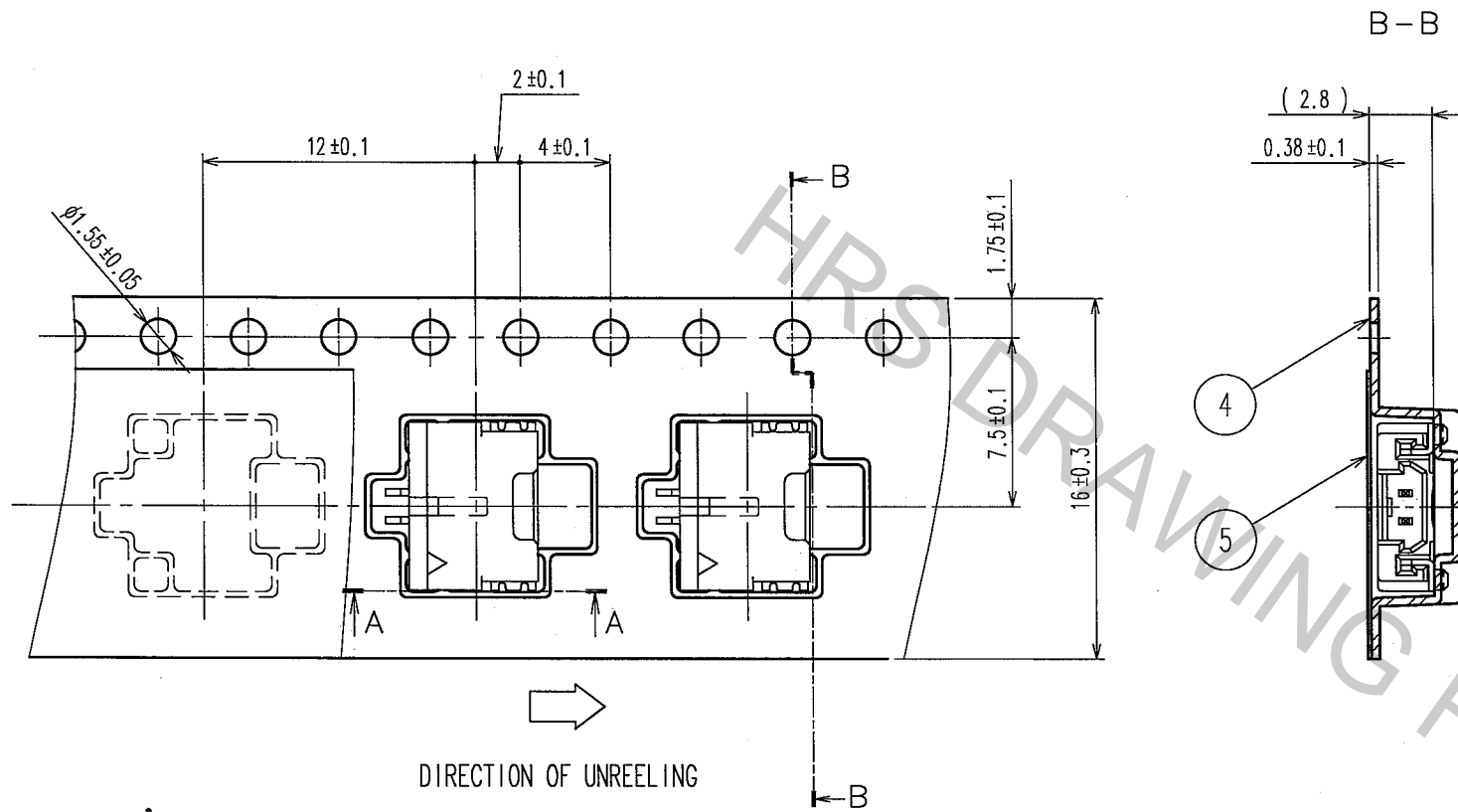
NOTE 1. LEAD CO-PLANALITY INCLUDE REINFORCED METAL FITTING SHALL BE 0.1mm MAX.
 2. WHEN THIS CONNECTOR MATES WITH DF14-2S-1.25C, THE MATTING LENGTH IS 7.3mm.

2	BRASS	SURFACE:GOLD PLATED 0.76µm min SURFACE:TIN-CUPPER PLATED 1µm min UNDER PLATING:NICKEL PLATED 1.3µm min	5	POLYESTER	CLEAR(COVER TAPE)
1	POLYAMIDE	BEIGE,UL94V-0	4	A-PET	CLEAR (EMBOSSED CARRIER TAPE)
			3	PHOSPHOR BRONZE	SURFACE:TIN-CUPPER PLATED 1µm min UNDER PLATING:NICKEL PLATED 0.5µm min
NO.	MATERIAL	FINISH, REMARKS	NO.	MATERIAL	FINISH, REMARKS
CODE NO.(OLD) CL			DRAWN	DESIGNED	CHECKED
			T.Kumagawa	T.Kumagawa	H.Umehara
			'06.07.22	'06.07.22	'06.07.22
			APPROVED	RELEASED	
			T. Ono		
			'06.07.22		
DRAWING NO. EDC3-160331-01		PART NO. DF14-2P-1.25H(90)			
SCALE 5 : 1		CODE NO. CL538-0021-4-90		1/2	
UNITS mm		HRS HIROSE ELECTRIC CO., LTD			

TO

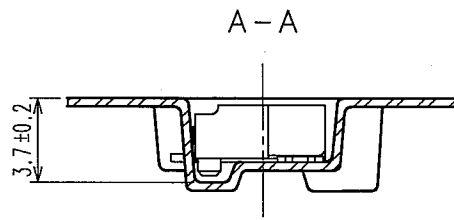
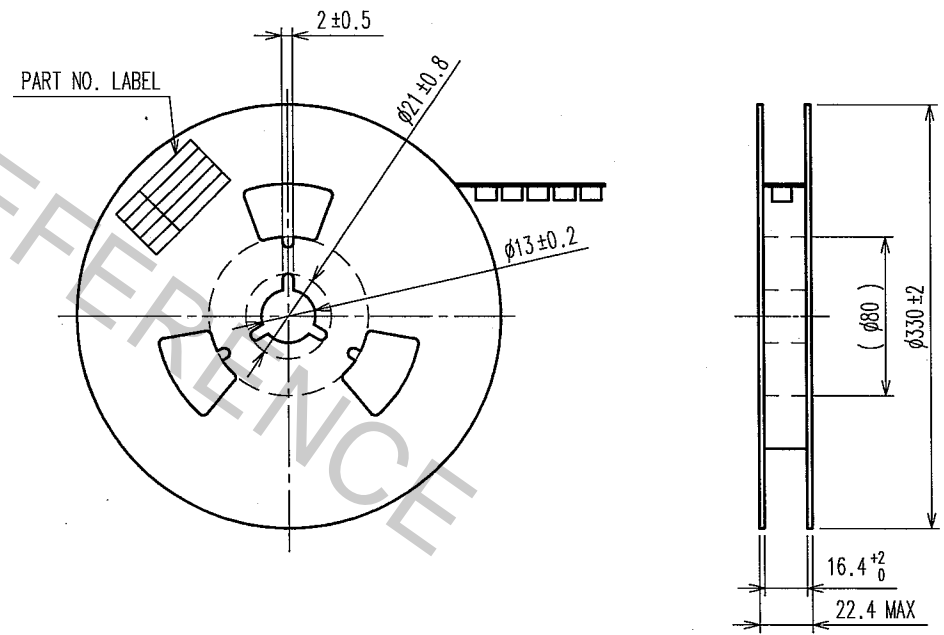
Apr.1.2017 Copyright 2017 HIROSE ELECTRIC CO., LTD. All Rights Reserved.

COUNT	DESCRIPTION OF REVISIONS	BY	CHKD	DATE	COUNT	DESCRIPTION OF REVISIONS	BY	CHKD	DATE
△					△				
△					△				
△					△				



DIRECTION OF UNREELING →

STYLE AND DIMENSION OF REEL



SUPPLIER
QUANTITY
PART NO.
CODE NO.
DATE OF MANUFACTURED

DETAIL OF MANUFACTURED

生産月日	年 月 日
CLコード	538-0021-4-90
品名	DF14-2P-1.25H(90)
納入数量	1000個
納入者	ヒロセ電機株式会社

NOTES 3 1 REEL : 1000 CONNECTORS.
4 AT THE BEGINNIG OF THE REEL , 30 COMPONECTS SHALL BE EMPTY.

NO.	MATERIAL	FINISH, REMARKS	NO.	MATERIAL	FINISH, REMARKS
CODE NO. (OLD) CL			DRAWN T. Kumagawa '06.07.22	DESIGNED T. Kumagawa '06.07.22	CHECKED H. Umehara '06.07.22
			APPROVED J. Ono '06.07.22	RELEASED	
DRAWING NO. EDC3-160331-01		PART NO. DF14-2P-1.25H(90)		CODE NO. CL538-0021-4-90	
SCALE FREE		UNITS mm		2	

TO