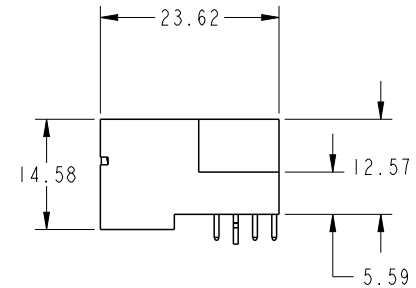
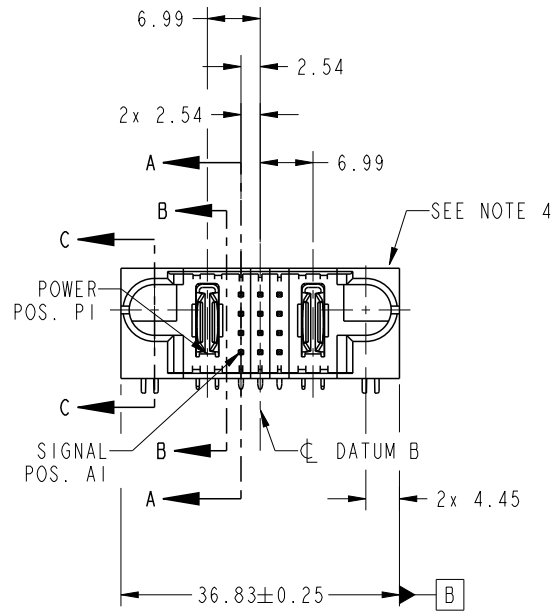


PRODUCT NO.	ROWS	POW		SIG			POW	
		E1	P1	1	2	3	P2	E2
51730-217-- NOTE 3	DCB A							

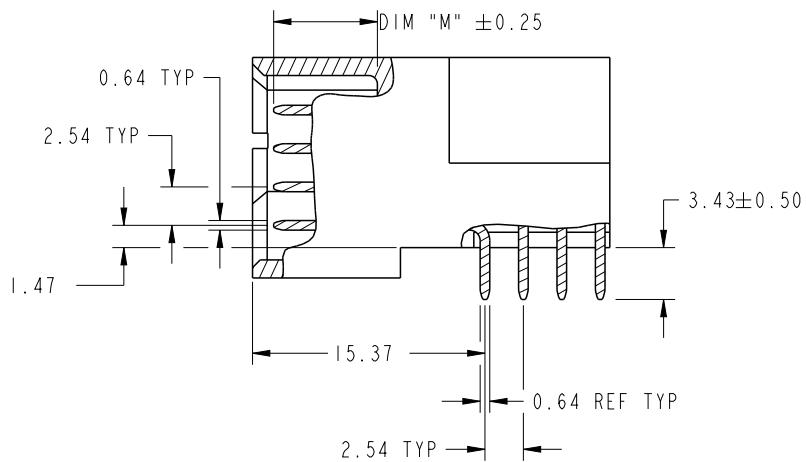


CODE	DIM "M" MATING LENGTH	CONTACT TYPE
U	[6.86]	SIGNAL
T	[6.86]	SIGNAL
S	[6.86]	SIGNAL
E	[5.59]	SIGNAL
R	[6.86]	SIGNAL
H	[5.59]	SIGNAL
PA	[N/A]	POWER
HA	[N/A]	HOLD-DOWN

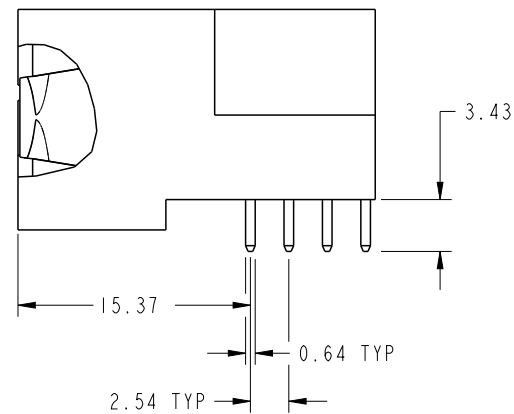
spec ref	*	dr	Ruan MT	2013/12/12	projection	MM	size	A4	scale	1:1
tolerance std	ASME Y14.5	eng	Jackie Huang	2014/01/05			ecn no	-	rel level	Released
TOLERANCES UNLESS OTHERWISE SPECIFIED		chr	-	-						
surface	linear	appr	Pei-Ming Zheng	2014/01/05	product family	PwrBlade				
ASME Y14.5	0.X	±0.5		title	IP + 12S + IP	dwg no	51730-217	rev	A	sheet 1 of 4
	0.XX	±0.25								
0.XXX	±0.1									
angular	0°	±2°	www.fci.com	cat. no.	-	Product - Customer Drw				

PRODUCT NUMBER

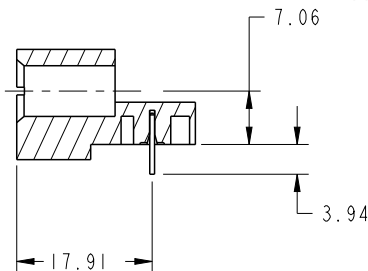
51730-217--
NOTE: 3



BROKEN-OUT SECTION A-A
SCALE 2:1



BROKEN-OUT SECTION B-B
SCALE 2:1

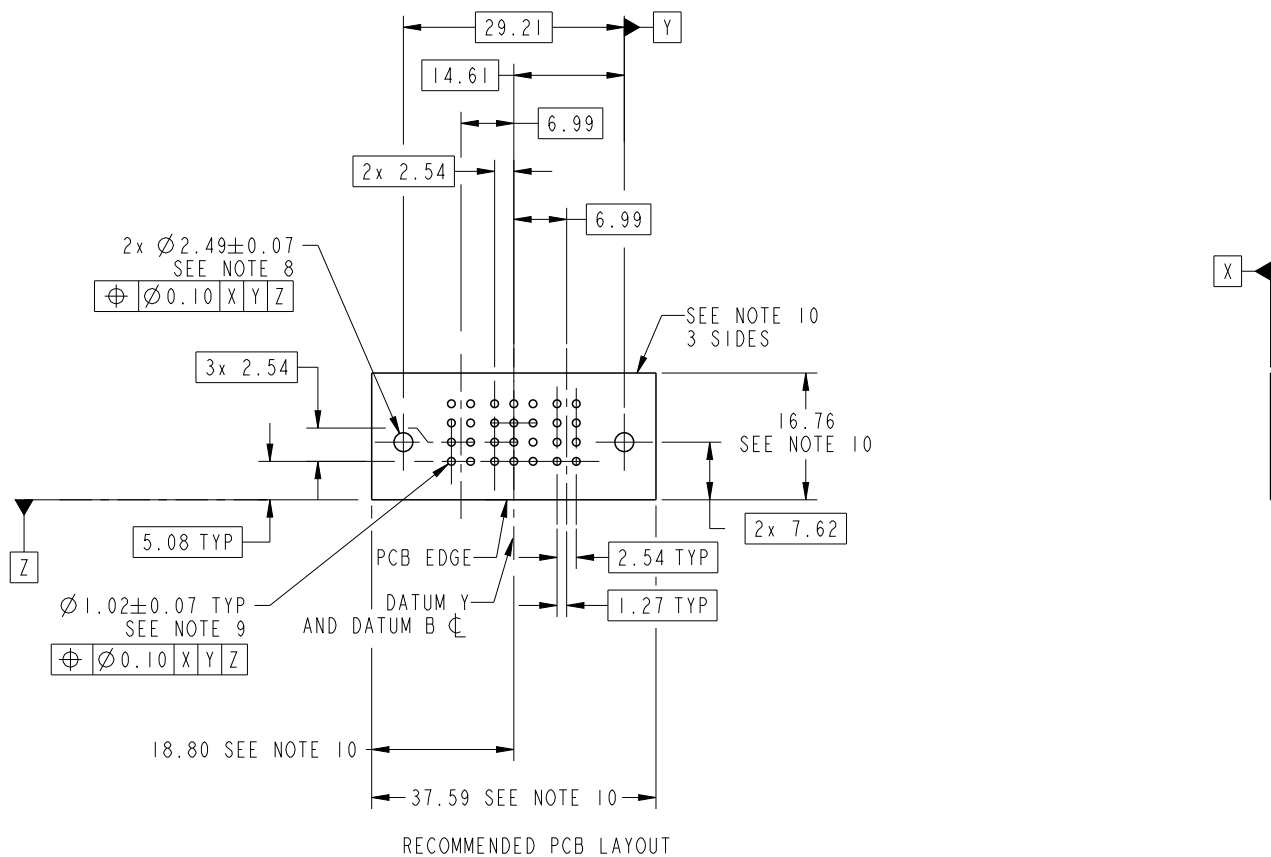


SECTION C-C

dr	Ruan MT	2013/12/12	projection 	MM 	size	A4	scale	1:1
eng	Jackie Huang	2014/01/05			ecn no	-		
chr	-	-			rel level	Released		
appr	Pei-Ming Zheng	2014/01/05	product family	PwrBlade	rev	A		
		title IP + 12S + IP RIGHT ANGLE SOLDER HEADER	dwg no 51730-217	cat. no. -	Product - Customer Drw	sheet 2 of 4		

PRODUCT NUMBER

51730-217--
NOTE: 3



RECOMMENDED PCB LAYOUT

dr	Ruan MT	2013/12/12	projection 	MM 	size	A4	scale	1:1
eng	Jackie Huang	2014/01/05			ecn no	-		
chr	-	-			rel level	Released		
appr	Pei-Ming Zheng	2014/01/05	product family	PwrBlade				
		title IP + 12S + IP RIGHT ANGLE SOLDER HEADER			dwg no 51730-217		rev A	
www.fci.com		cat. no.		Product - Customer Drw			sheet 3 of 4	



PRODUCT NUMBER

51730-217--
NOTE: 3

NOTES:

1. DIMENSIONS AND TOLERANCES ARE IN ACCORDANCE WITH ASME Y14.5M, 1994 UNLESS OTHERWISE SPECIFIED.

CONNECTOR NOTES:

- 2. HOUSING MATERIAL: UL 94 V-0 GLASS FILLED HIGH-TEMP THERMOPLASTIC
POWER CONTACT MATERIAL: COPPER ALLOY
SIGNAL PIN MATERIAL: COPPER ALLOY
- 3. SEE ITEM 1 & 2 IN PRINT 10064183 FOR PLATING SPEC OF 51730-217 AND 51730-217LF RESPECTIVELY.
- 4. MANUFACTURER'S NAME, DATE CODE AND OPTIONAL P/N TO APPEAR ON THIS SURFACE. THE MARK CAN BE OMITTED IF THERE IS NOT ENOUGH SPACE ON THIS SURFACE.
- 5. PRODUCT SPECIFICATION GS-12-149.
APPLICATION SPECIFICATION BUS-20-067.
- 6. PACKAGED IN TRAYS.

PCB NOTES:

- 7. ALL HOLE DIAMETERS ARE FINISHED HOLE SIZE.
- 8. MOUNTING HOLES, WHERE APPLICABLE, ARE UNPLATED.
- 9. $\varnothing 1.151 \pm 0.025$ DRILLED HOLES PLATED WITH
0.008 MIN SnPb OR Sn OVER 0.03
TO 0.08 Cu PLATING TO ACHIEVE
 $\varnothing 1.02 \pm 0.07$ HOLE.
- 10. CONNECTOR KEEP-OUT ZONE.

dr	Ruan MT	2013/12/12	projection 	MM 	size	A4	scale	1:1	
eng	Jackie Huang	2014/01/05			ecn no	-			
chr	-	-							
appr	Pei-Ming Zheng	2014/01/05	product family	PwrBlade	rel level	Released			
		title	IP + 12S + IP RIGHT ANGLE SOLDER HEADER		dwg no	51730-217		rev	A
www.fci.com		cat. no.	-	Product - Customer Drw			sheet 4 of 4		



Copyright FCI.