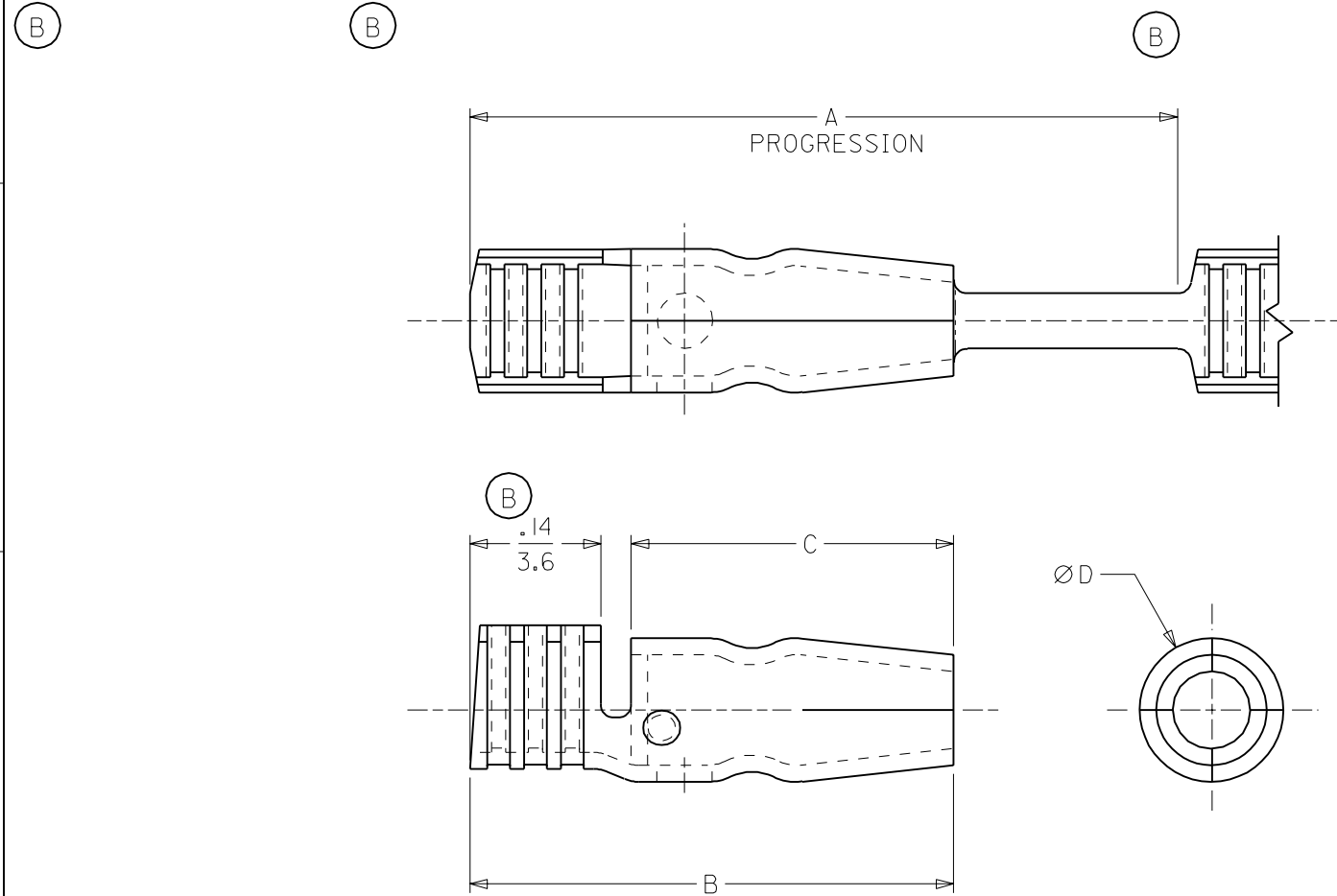


MATERIAL NUMBER	ENG. NUMBER	DESCRIPTION	FITS RECEPT. DIAMETER.	A	B	C	D
197244002	19724-4002	PLATED	.156/(3.96)	.76/(19.3)	.52/(13.3)	.35/(8.9)	.156/(3.96)
197244202	19724-4202	PLATED	.180/(4.57)	.83/(21.2)	.64/(16.4)	.44/(11.2)	.180/(4.57)
197244000	19724-4000	UNPLATED	.156/(3.96)	.76/(19.3)	.52/(13.3)	.35/(8.9)	.156/(3.96)
197244200	19724-4200	UNPLATED	.180/(4.57)	.83/(21.2)	.64/(16.4)	.44/(11.2)	.180/(4.57)



SALES DRAWING

NOTE(S):

- MATERIAL: BRASS
- MATERIAL THICKNESS: .016/(0.41)
- PLATING: ELECTRO-TIN

ADDED UNPLT NO'S  
 EC NO. ETC2003-0162  
 DRWN: DLM 02/12/20  
 CHK: SB 02/12/20  
 APPR: RWD 02/12/20

REV	DESCRIPTION	QUALITY SYMBOLS
B		MAJOR = 0 CRITICAL = 0

GENERAL TOLERANCES: (UNLESS SPECIFIED)	
mm	INCH
4 PLACES ±0.-----	±.-----
3 PLACES ±0.---	±.005
2 PLACES ±0.13	±.010
1 PLACE ±0.25	±.---
ANGULAR: ±1/2°	
DRAFT WHERE APPLICABLE MUST REMAIN WITHIN DIMENSIONS	

SCALE	DESIGN UNITS
5:1	<input type="checkbox"/> mm <input checked="" type="checkbox"/> INCH
DRAWN BY & DATE DLM 02/12/20	
CHECKED BY & DATE SB 02/12/20	
APPROVED BY & DATE RWD 02/12/20	
CAD FILENAME SD19724001.DGN	

DIMENSIONS:		SHT	REV
<input type="checkbox"/> mm	<input checked="" type="checkbox"/> INCH		
<input type="checkbox"/> INCH	<input checked="" type="checkbox"/> mm		
<input type="checkbox"/> mm ONLY			
THIRD ANGLE PROJECTION			
TITLE: KRIMPTITE SNAP PLUG 18-14 AWG, OPEN BARREL CHAIN STAMPED			
MOLEX INCORPORATED			
MATERIAL NO. (SEE CHART)	DRAWING NO. SD-19724-001	SHEET NO. 1 OF 1	SIZE A