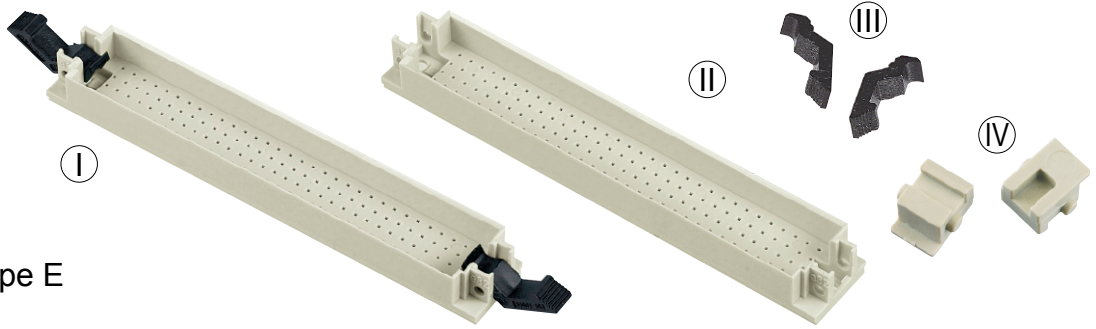


Number of contacts

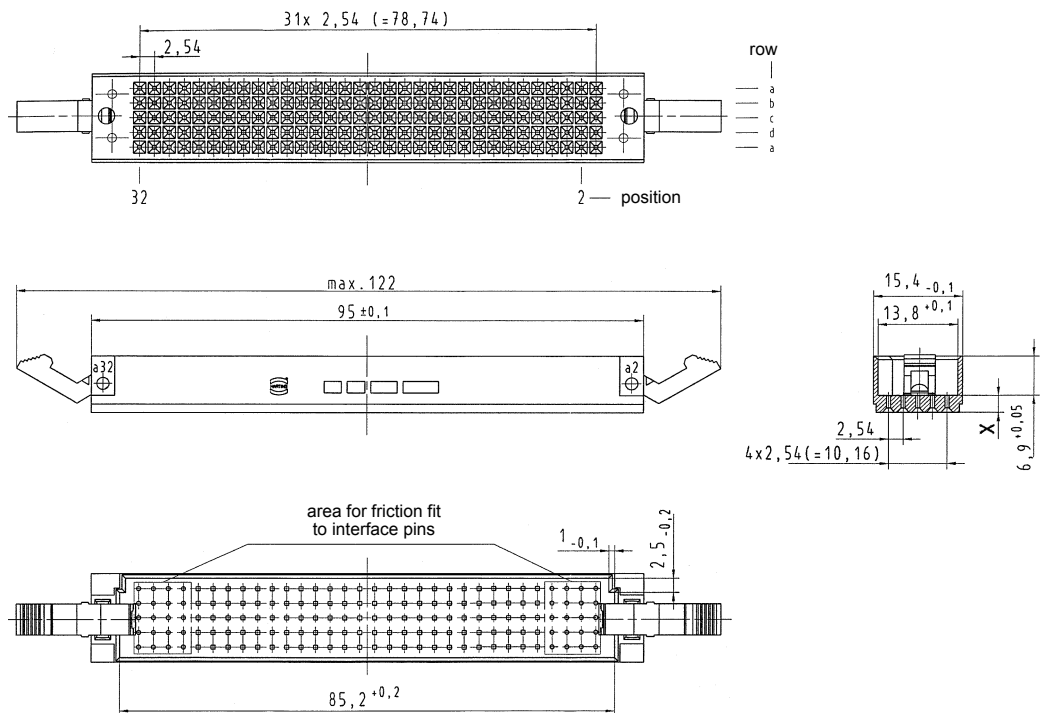
48



Pin shrouds for type E with press-in pins

Identification	pcb-thickness + 0.2 / - 0.3	Dimension X - 0.1	Part number
Pin shrouds			
I with locking levers	2.8	3.6	09 05 000 9924
II without locking levers	2.8	3.6	09 05 000 9914 ^{f)}
I with locking levers	3.4	3.0	09 05 000 9922
II without locking levers	3.4	3.0	09 05 000 9912 ^{f)}
III Locking lever for female connector type E ¹⁾			09 03 000 9914
IV Fixing brackets for shell housing C ¹⁾			09 03 000 9921 ^{f)}

Dimensions



Dimensions in mm

¹⁾ order 2 pieces per connector

^{f)} Railway classification NFF 16-101, Smoke index: F1, Flammability class: I2