



AP7342 – Dual 150mA, High PSRR, Low Noise LDO

The AP7342 is a dual, low-dropout regulator with high output-voltage accuracy, low $R_{DS(ON)}$, high PSRR, low output noise and low quiescent current.

It is available in fixed output voltages from 1.2V to 3.6V in various combinations. AP7342D also features an output discharge function.

The AP7342 provides high PSRR (75dB @ 1kHz) without the need for an external bypass capacitor and is ideal for noise sensitive applications such as audio, video and RF subsystems.

Low-power consumption combined with excellent line and load transient responses, make the AP7342 ideally suited for low power, handheld communication equipment.

The X2-DFN1212-6 package features a small footprint for high density PCB layout.



The Diodes' Advantage

- **Wide Input Voltage, 1.7V to 5.25V**
Offers lower operation down to 1.7V supporting operation over the whole range of Li-on battery cells
- **High PSRR (75dB @ 1kHz) and Low Noise (60µVrms @ 10Hz - 100kHz)**
Suitable for noise sensitive applications such as audio, video and RF sub-systems
- **1.0% Output Accuracy at Room Temp, 1.5% over -40°C to +85°C**
Maintains accuracy over all conditions
- **Miniaturized Package, X2-DFN1212-6 (1.2mm x 1.2mm x 0.4mm)**
The small package dimensions and low height meet the small footprint and low profile requirements of the latest portable equipment
- **Low Quiescent Current at 35µA**
Offers power saving in low-power and battery operated products

Circuit Functions

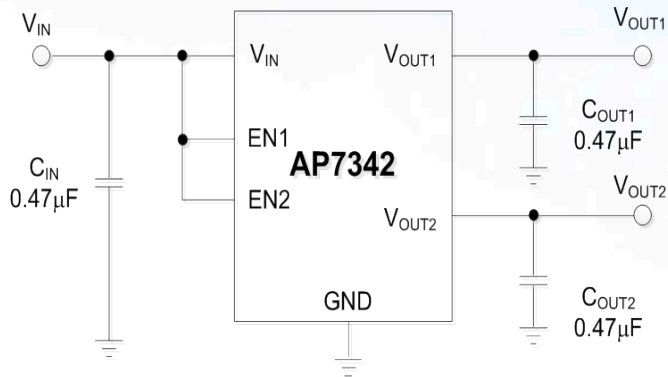
- Enable for shutdown with/without auto-discharge
- Fold-back short protection

Applications

- Smart phone/tablets
- Cameras
- Portable video
- Portable media players
- Wireless adaptor/RF supply
- Wireless communication

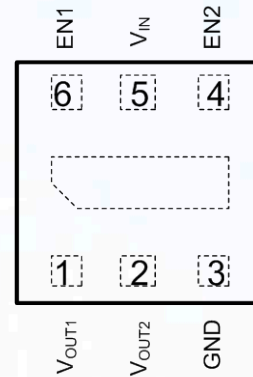


Typical Application Circuit



Package

Top View



X2-DFN1212-6

Product Portfolio

Part	V _{IN} (V)	V _{OUT1} (V)	V _{OUT2} (V)	I _{OUT} (mA)	V _{DROP} @ Full Load (mV)	I _Q (µA)	PSRR @1kHz (dB)	Noise (µV _{RMS})	Output Accuracy (%)	Enable	C _{BYPASS}	Package
AP7342 AP7342D	1.7 to 5.25	1.2, 1.5, 1.8, 2.5, 2.8, 3.0, 3.3, 3.6	1.2, 1.5, 1.8, 2.5, 2.8, 3.0, 3.3	150/150	300/300	35	75	60	1	Dual	No	X2-DFN1212-6

Ordering Information

