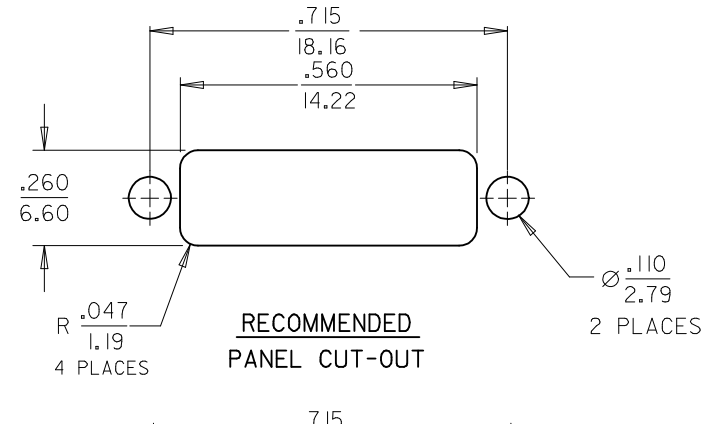
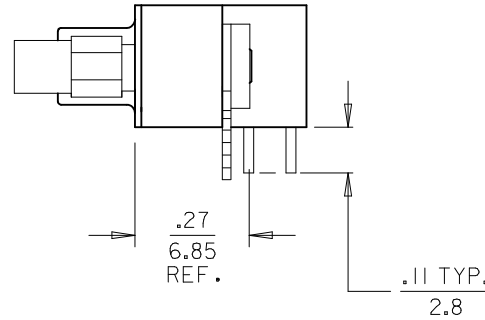
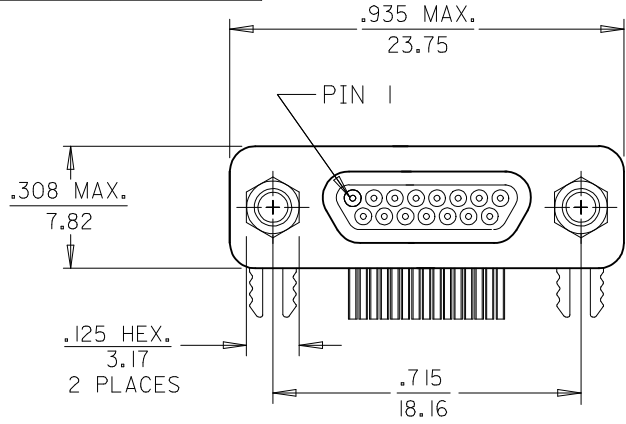
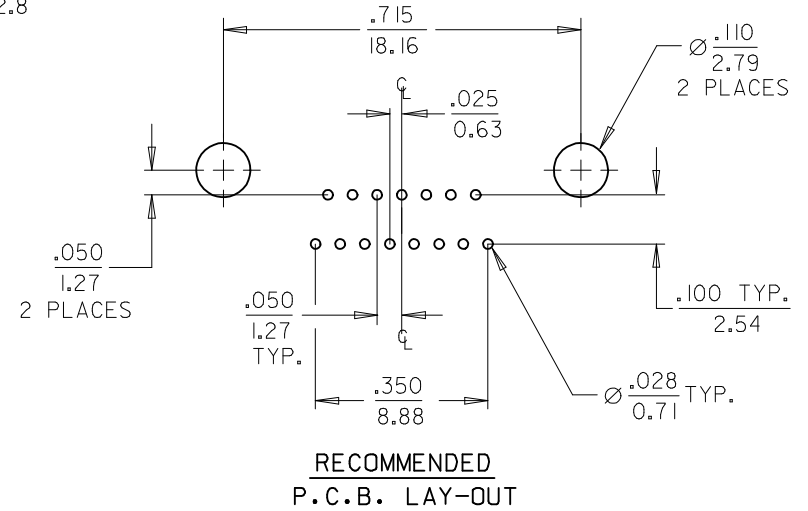
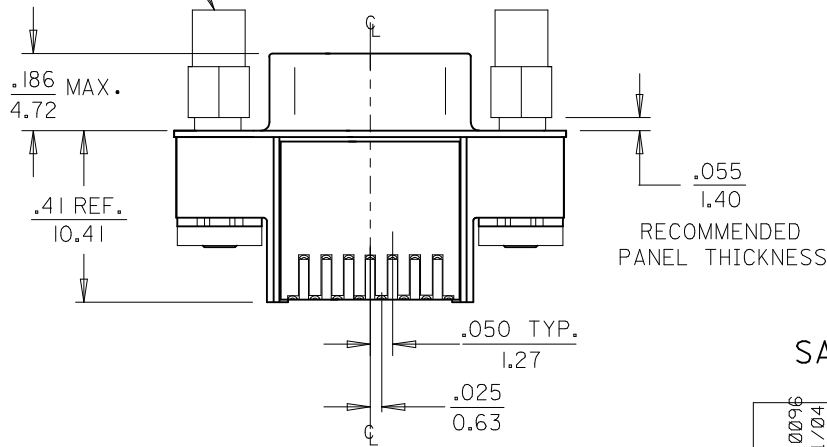


MATERIAL NO.	ENG. NO.
836129201	83612-9201



2-56 JACKPOST
2 PLACES



SALES DRAWING

2. MARKING: NONE.
1. REFER TO PS-83421-9000 FOR PRODUCT SPECIFICATION.
NOTES: UNLESS OTHERWISE SPECIFIED.

DD-MMM-YYYY
HHMM
WORK AREA
PLOT
CRP***USERNAME***

RELEASED
EC NO. ECT2004-0096
DRWN: JAL 03/11/04
CHK: JPP 03/11/05
APPR: RWD 03/11/06

DESCRIPTION
MAJOR
CRITICAL
C=0

QUALITY SYMBOLS	GENERAL TOLERANCES: (UNLESS SPECIFIED)	SCALE NONE	DESIGN UNITS <input type="checkbox"/> mm <input checked="" type="checkbox"/> INCH	THIRD ANGLE PROJECTION	DIMENSIONS: <input type="checkbox"/> mm <input checked="" type="checkbox"/> INCH <input type="checkbox"/> mm ONLY	SHT	REV
4 PLACES	±0.--- ±.---	DRAWN BY & DATE	JAL 03/11/04	TITLE: CONNECTOR, COMMERCIAL-D, PLUG, RIGHT ANGLE, JACKPOST, SIZE 1	MATERIAL NO.	DRAWING NO.	SHEET NO.
3 PLACES	±0.--- ±.010	CHECKED BY & DATE	JJP 03/11/05		(SEE CHART)	SD-83612-010	1 OF 1
2 PLACES	±0.26 ±.020	APPROVED BY & DATE	RWD 03/11/06				
1 PLACE	±0.50 ±.---						
ANGULAR: ± 1°		CAD FILENAME	SD83612010.DGN	THIS DRAWING CONTAINS INFORMATION THAT IS PROPRIETARY TO MOLEX INCORPORATED AND SHOULD NOT BE USED WITHOUT WRITTEN PERMISSION.		SIZE	B