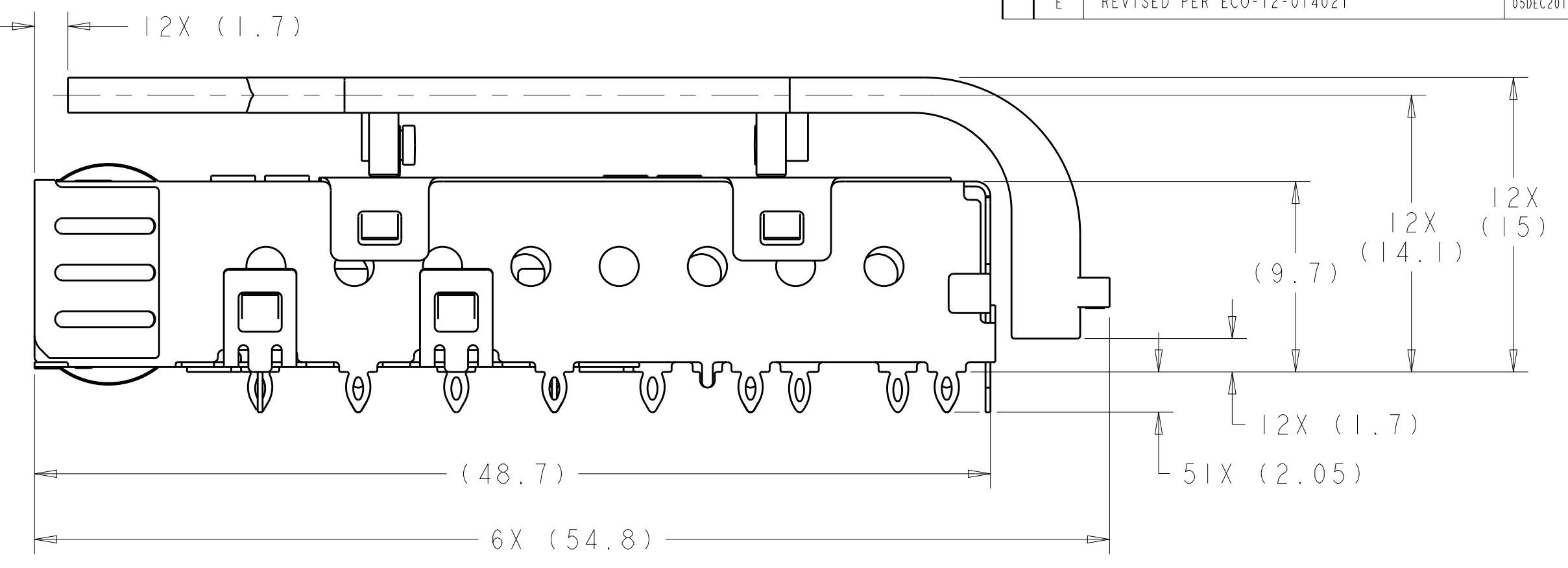
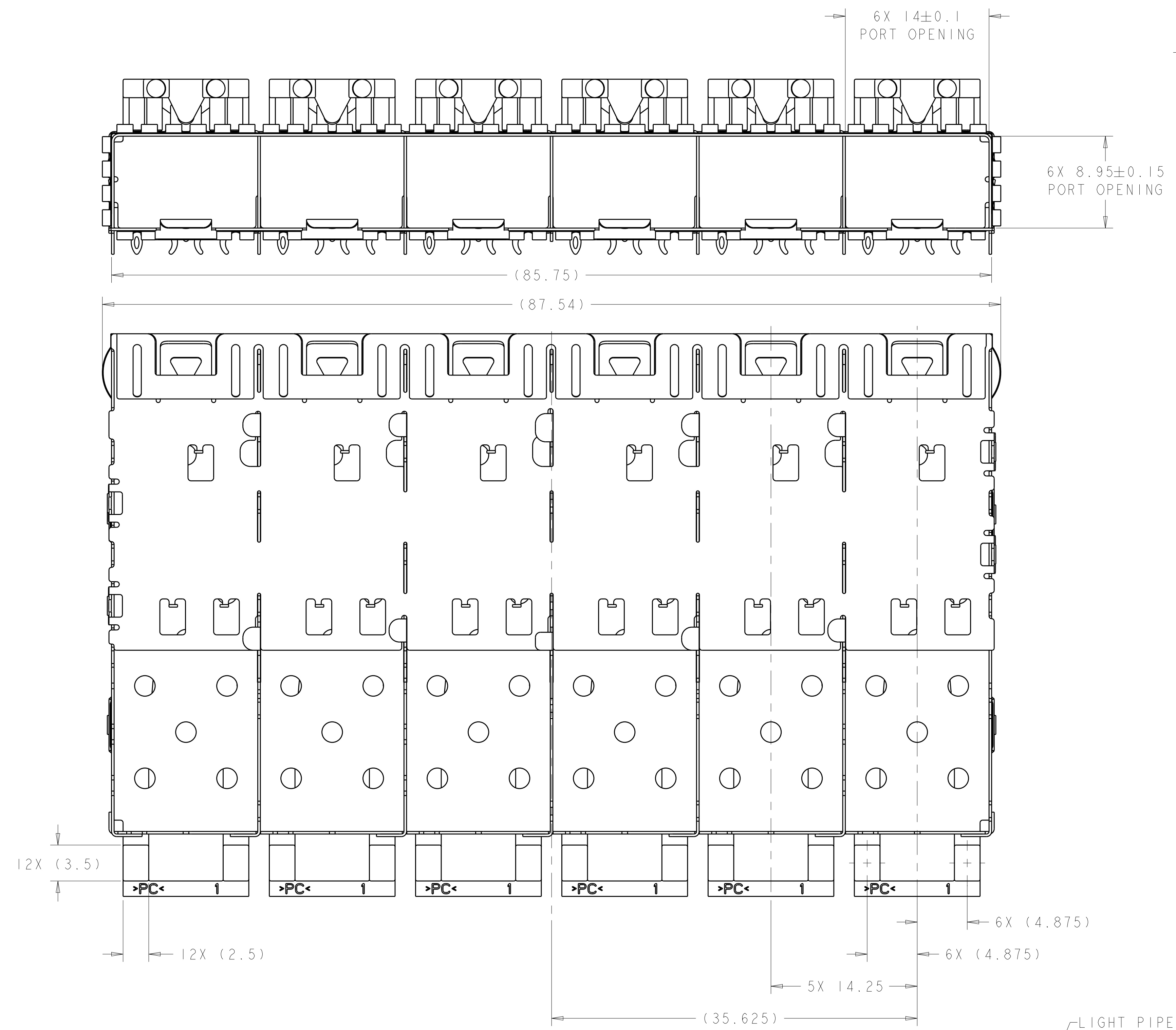
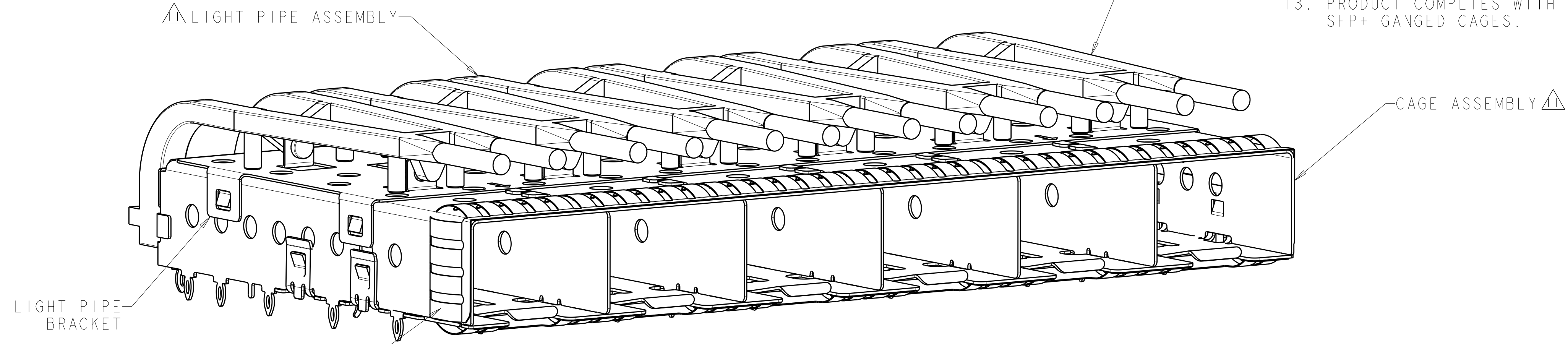


LOC		DIST		REVISIONS			
GP	00	P	LTN	DESCRIPTION	DATE	DWN	APVD
		B		REVISED PER ECO-09-022874	20OCT2009	CR	MS
		C		REVISED PER ECO-10-004036	01MAR2010	CJV	MRS
		D		REVISED PER ECO-11-019224	10JAN2012	TX	AC
		E		REVISED PER ECO-12-014021	05DEC2012	TD	AC



- △ MATERIAL:
 CAGE ASSEMBLY: 0.25mm THICK NICKEL SILVER ALLOY.
 LIGHT PIPE CLIP: STAINLESS STEEL
 LIGHT PIPE: POLYCARBONATE, CLEAR
- △ FINISH:
 SPRINGS: MINIMUM OF 0.8um TIN PLATE OVER A MINIMUM OF 0.8um NICKEL UNDERPLATE.
 NON-PLATED EDGES PERMISSIBLE.
- 3. MATES WITH SFP MSA COMPLIANT TRANSCEIVERS.
- △ PADS AND VIAS CHASSIS GROUND.
- 5. INTERPRETATION OF DATUM REFERENCE FRAME IN ACCORDANCE WITH SECT 4.4.1.1 OF ASME Y14.5M-1994.
- △ MINIMUM PCB BOARD THICKNESS:
 SINGLE SIDED = 1.50
 DOUBLE SIDED = 2.25
- △ HOLE PATTERN REPEATS FOR EACH PORT. SPACING BETWEEN PORTS IS 14.25mm.
- △ DATUM AND BASIC DIMENSION ESTABLISHED BY CUSTOMER.
- △ REFERENCE APPLICATION SPEC. 114-13120, HOLE A, FOR RECOMMENDED DRILL HOLE DIAMETER AND PLATING THICKNESS.
- △ REFERENCE APPLICATION SPEC. 114-13120, HOLE B, FOR RECOMMENDED DRILL HOLE DIAMETER AND PLATING THICKNESS.
- △ LIGHT PIPE ASSEMBLY SHIPPED UNASSEMBLED TO CAGE ASSEMBLY. CAGE ASSEMBLY TO BE PRESSED INTO THE PCB PRIOR TO ATTACHING THE LIGHT PIPE ASSEMBLY TO THE CAGE.
- 12. CERTAIN MATING TRANSCEIVERS MAY REQUIRE ADDITIONAL PCB THICKNESS THAT WOULD NEED TO BE DETERMINED BY THE CUSTOMER.
- 13. PRODUCT COMPLIES WITH SPECIFICATION SFF-8433 IMPROVED PLUGGABLE FORM FACTOR FOR SFP+ GANGED CAGES.

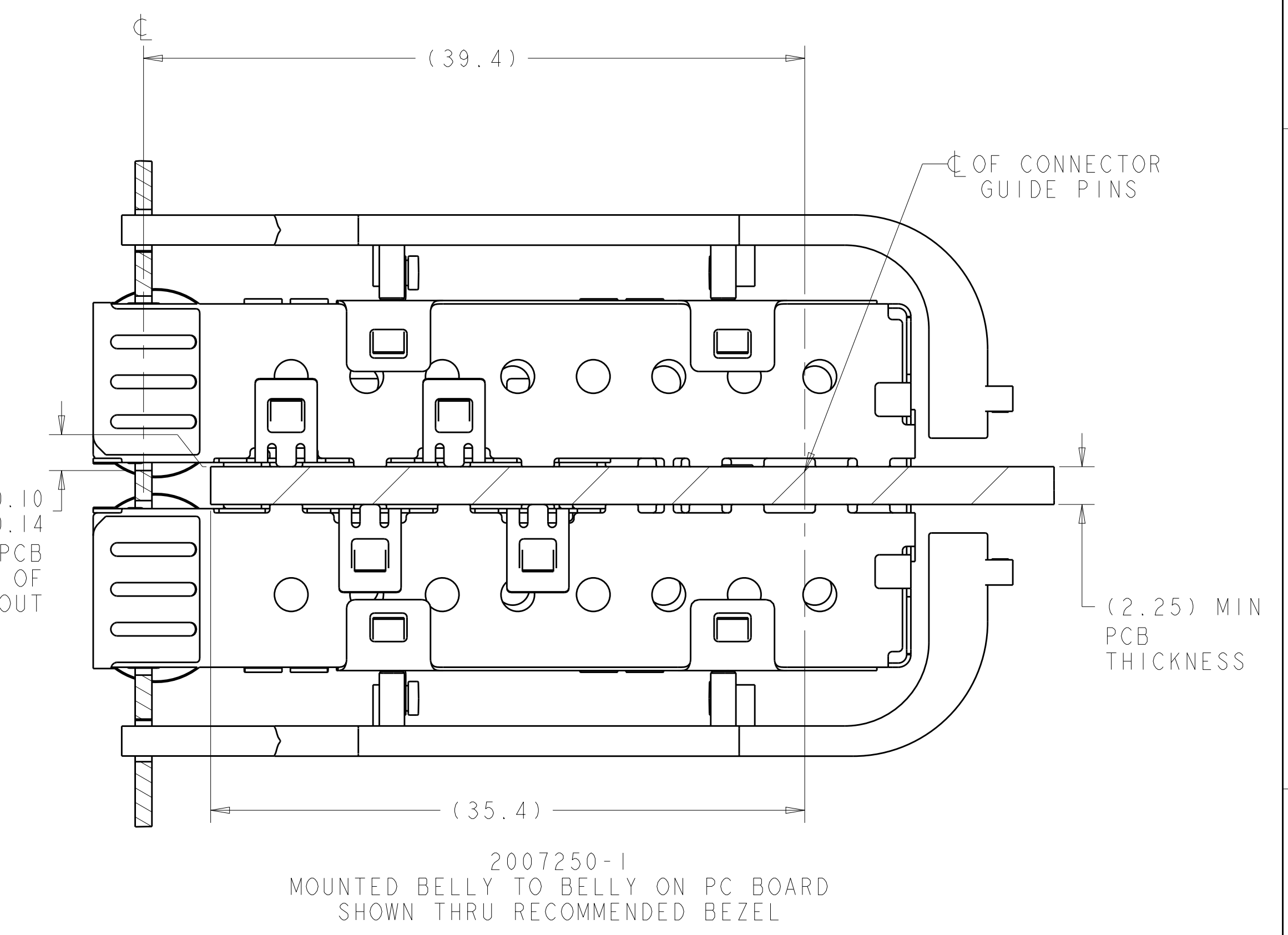
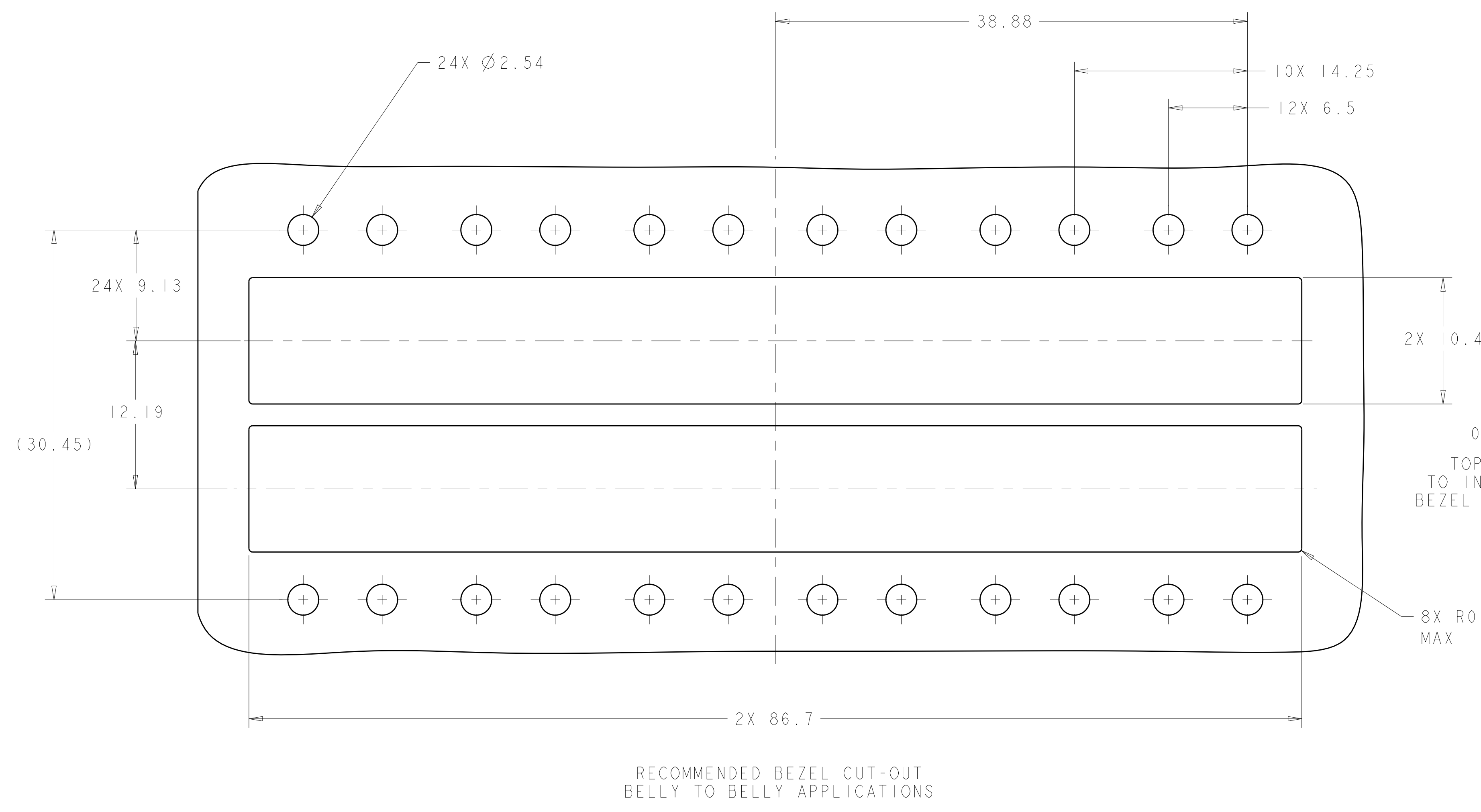
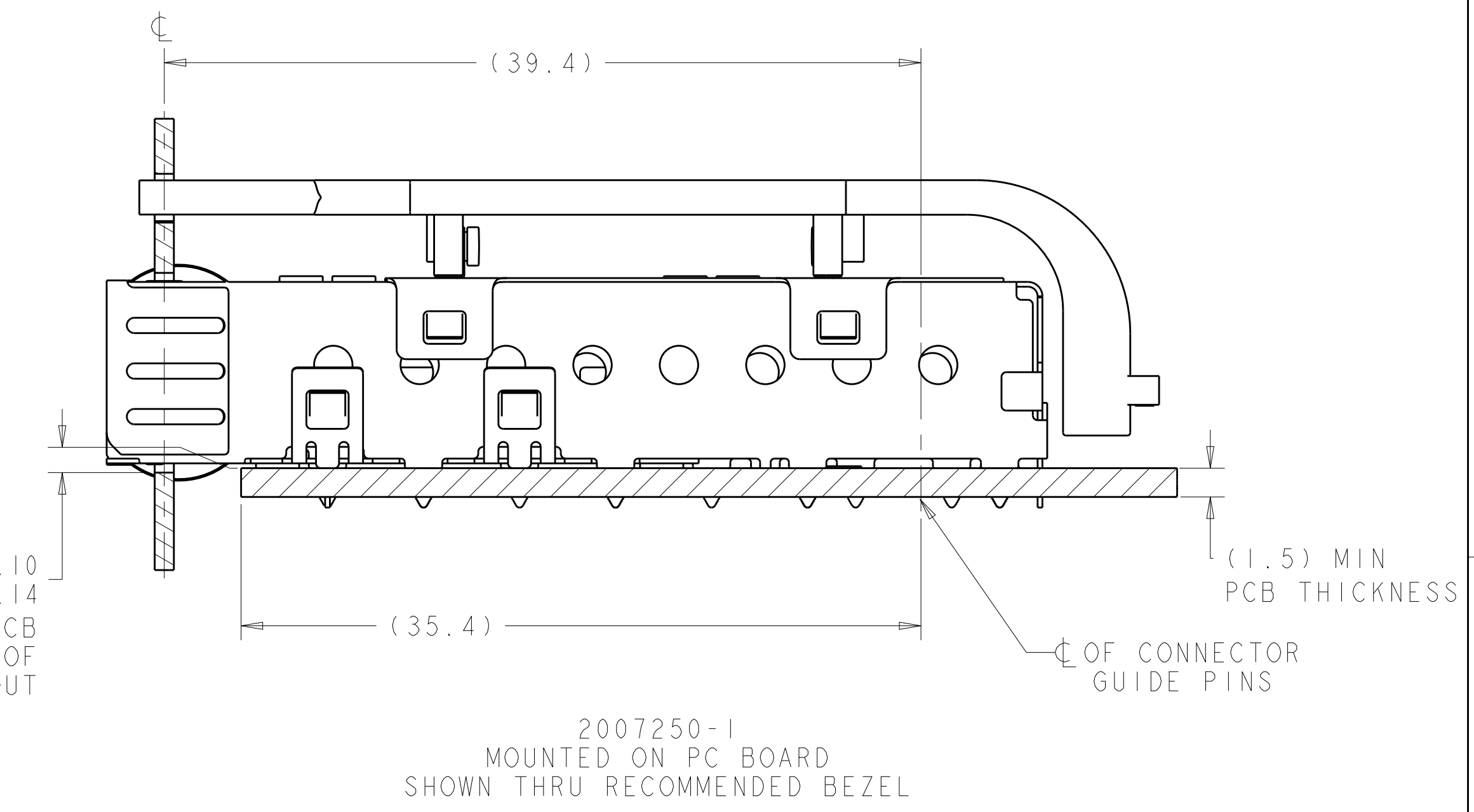
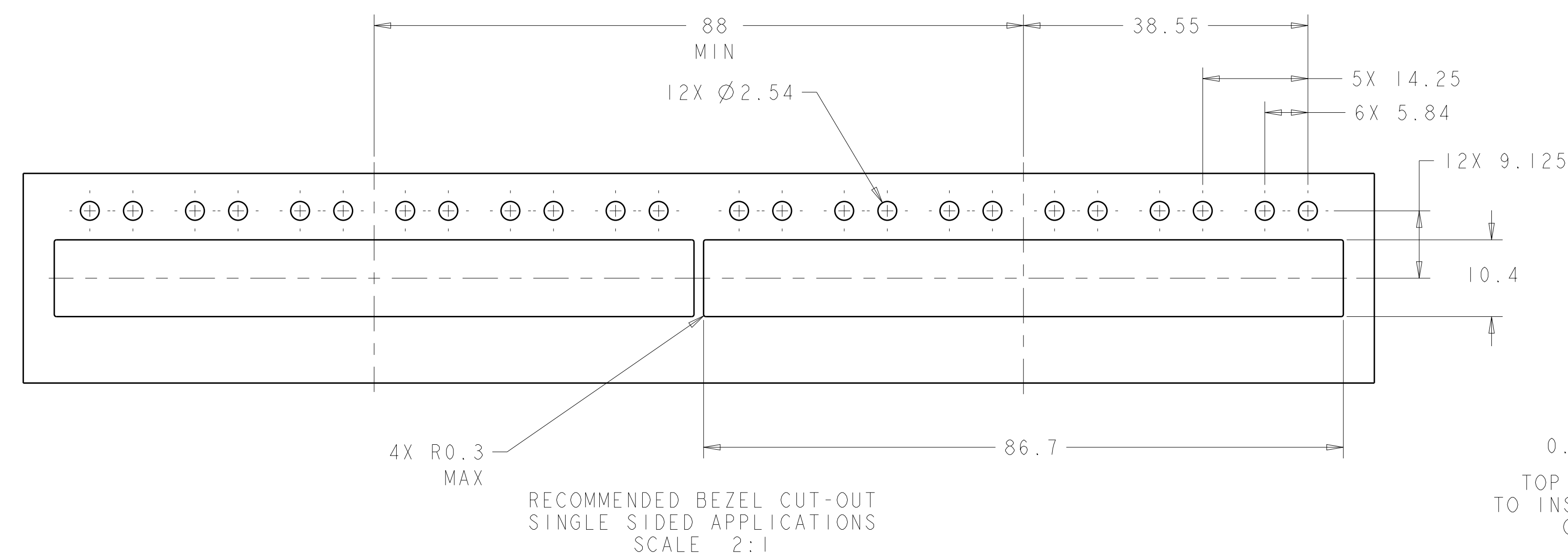


2007250-1
 FINISHED ASSEMBLY
 SCALE 4:1

2007250-1
 PART NUMBER

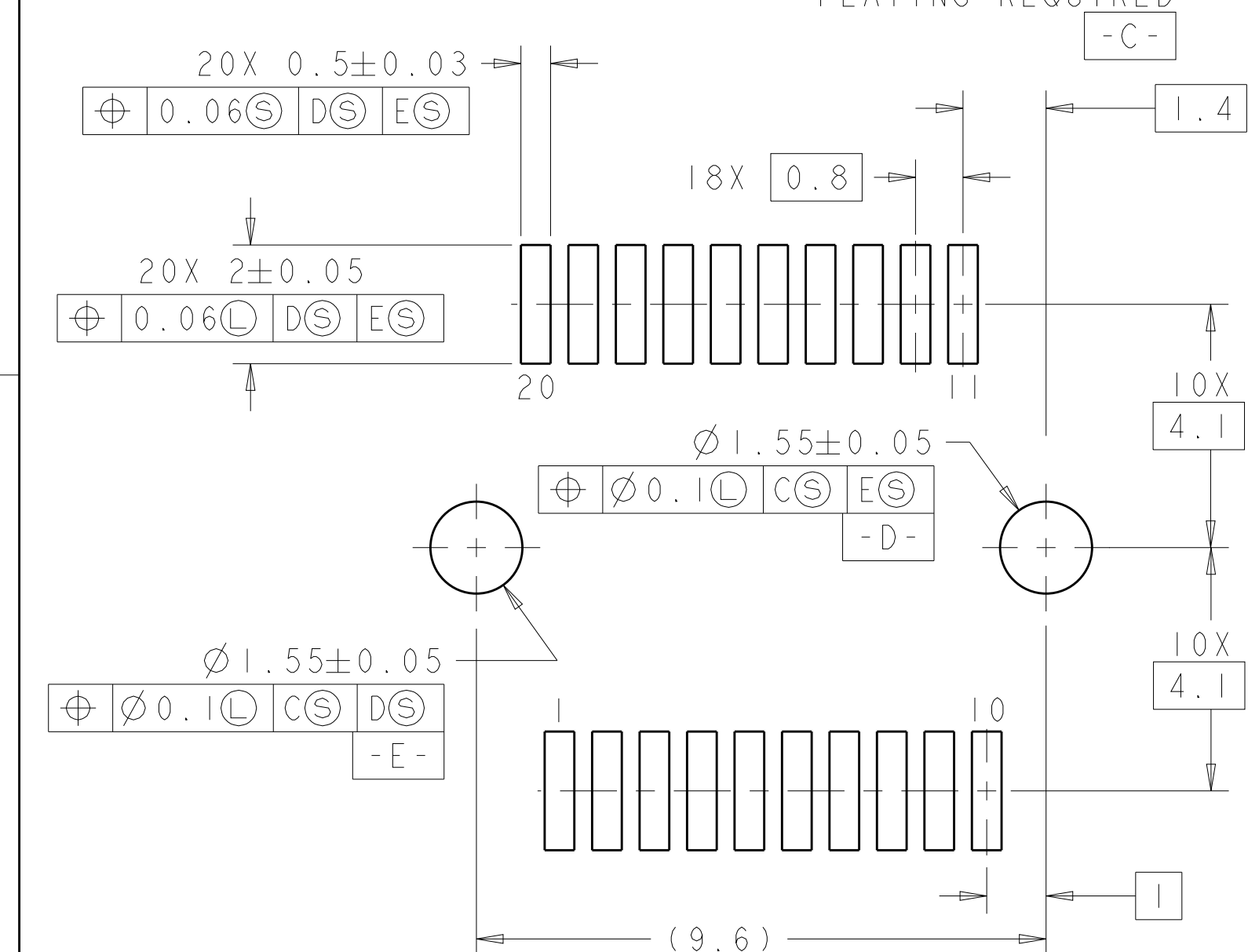
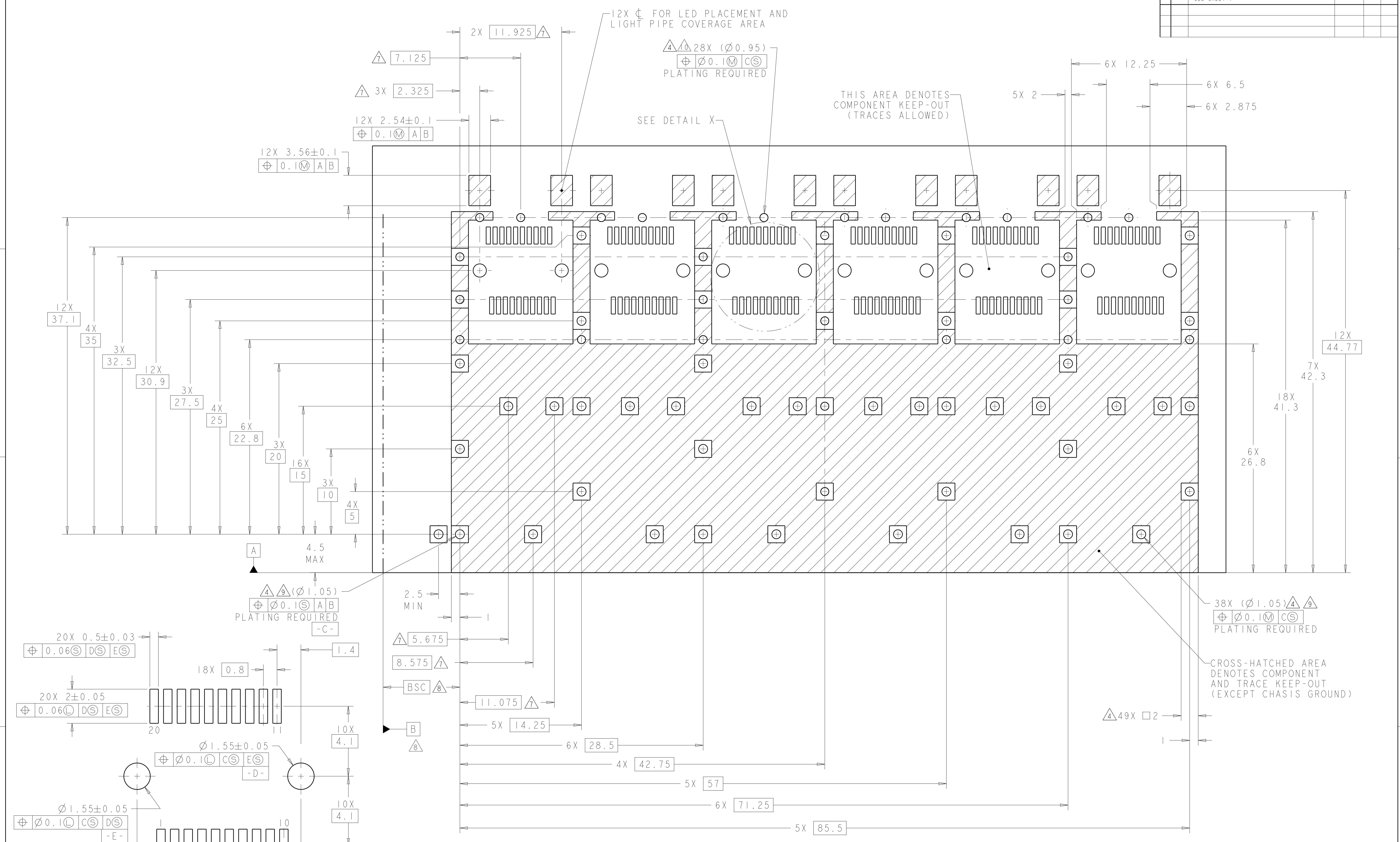
THIS DRAWING IS A CONTROLLED DOCUMENT.		DWN	Z. M. BEAM	17JUL2007	TE Connectivity NAME: SFP+ 1X6 CAGE ASSEMBLY PRESS FIT, EXTERNAL EMI SPRINGS WITH LIGHT PIPES
DIMENSIONS:		CHK	M. R. SCHMITT	17JUL2007	
mm		APVD	R. H. WERTZ	17JUL2007	
0 PLC ±0.1 1 PLC ±0.1 2 PLC ±0.1 3 PLC ±0.1 4 PLC ±0.1 ANGLES ±1°		TOLERANCES UNLESS OTHERWISE SPECIFIED:		PRODUCT SPEC	
MATERIAL		FINISH		108-2364	APPLICATION SPEC
△		△		114-13120	SIZE
Customer Drawing		SCALE		4:1	SHEET
				1	OF
				4	REV
				E	

LOC		DIST		REVISIONS			
GP	00	P	LTN	DESCRIPTION	DATE	DMN	APVD
				SEE SHEET 1			



THIS DRAWING IS A CONTROLLED DOCUMENT.		DMN	Z. M. BEAM	17JUL2007	TE Connectivity NAME: SFP+ 1X6 CAGE ASSEMBLY PRESS FIT, EXTERNAL EMI SPRINGS WITH LIGHT PIPES PRODUCT SPEC: 108-2364 APPLICATION SPEC: 114-13120 SIZE: A100779 CAGE CODE: C=2007250 RESTRICTED TO: - SCALE: 4:1 SHEET 2 OF 4 REV E
DIMENSIONS:		CHK	M. R. SCHMITT	17JUL2007	
mm		APVD	B. H. WERTZ	17JUL2007	
TOLERANCES UNLESS OTHERWISE SPECIFIED: 0 PLC ±0.1 2 PLC ±0.1 3 PLC ±0.1 4 PLC ±0.1 ANGLES ±1°		MATERIAL:		FINISH:	

LOC	DIST	REVISIONS			
GP	00	REV	DATE	BY	APPD
		1	SEE SHEET 1		



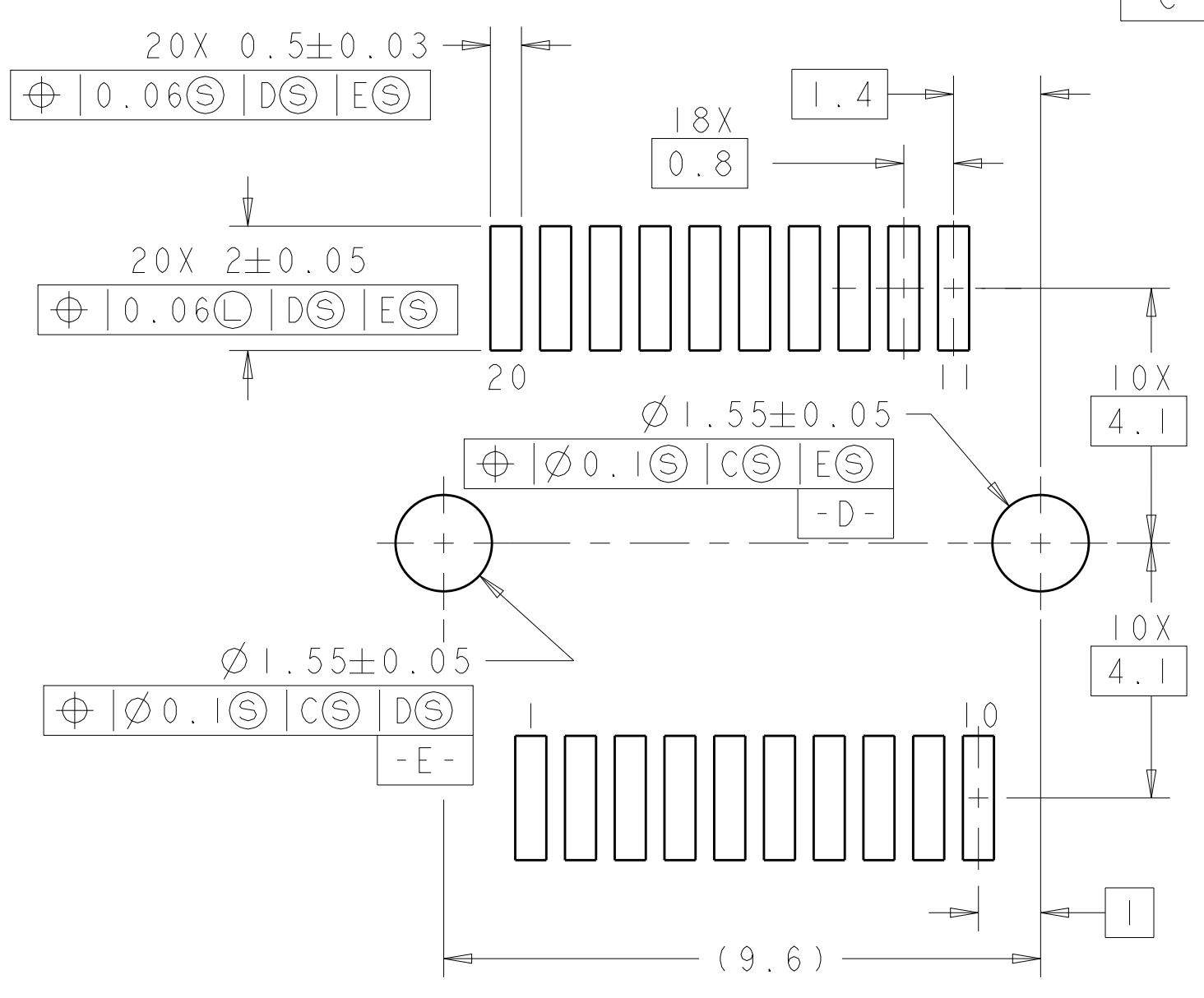
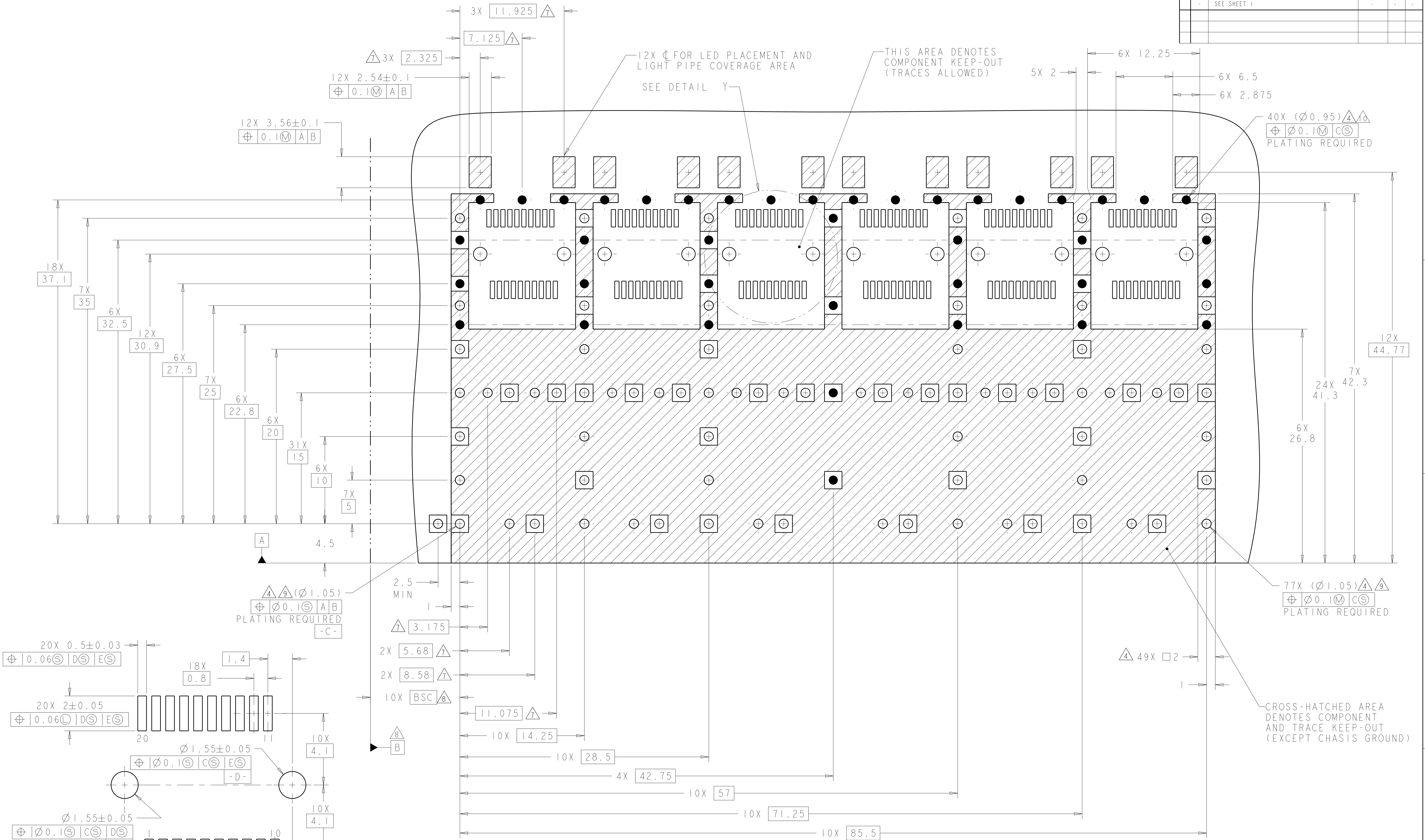
DETAIL X
RECOMMENDED PT CONNECTOR LAYOUT
6X INDIVIDUALLY
SCALE 10:1

RECOMMENDED PCB CONFIGURATION
WITH KEEP-OUT AREAS
SINGLE SIDED APPLICATIONS ϕ
SCALE 5:1

THIS DRAWING IS A CONTROLLED DOCUMENT.		OWN Z. M. BEAM 17JUL2007	TE Connectivity NAME SFP+ 1X6 CAGE ASSEMBLY PRESS FIT, EXTERNAL EMI SPRINGS WITH LIGHT PIPES
DIMENSIONS: mm		CHK M. R. SCHMITT 17JUL2007	
TOLERANCES UNLESS OTHERWISE SPECIFIED:		APVD B. H. WERTZ 17JUL2007	PRODUCT SPEC 108-2364
		APPLICATION SPEC 114-13120	SIZE A100779
MATERIAL		WEIGHT	RESTRICTED TO
FINISH		Customer Drawing	SCALE 4:1 SHEET 3 OF 4 REV E

LOC	DIST	REV	DATE	BY	APPD
GP	00				

REVISIONS			
NO.	DESCRIPTION	DATE	BY
1	SEE SHEET 1		



RECOMMENDED PC BOARD CONFIGURATION
 WITH KEEP-OUT AREAS
 BELLY TO BELLY APPLICATIONS Δ
 SCALE 5:1

THIS DRAWING IS A CONTROLLED DOCUMENT.		OWN: Z. M. BEAM 17JUL2007	TE Connectivity
DIMENSIONS: mm		CHK: M. R. SCHMITT 17JUL2007	
TOLERANCES UNLESS OTHERWISE SPECIFIED:		APVD: B. H. WERTZ 17JUL2007	NAME: SFP+ 1X6 CAGE ASSEMBLY PRESS FIT, EXTERNAL EMI SPRINGS WITH LIGHT PIPES
0 PLC \pm 0.1	1 PLC \pm 0.1	PRODUCT SPEC: 108-2364	SIZE: CAGE CODE DRAWING NO. RESTRICTED TO
2 PLC \pm 0.1	3 PLC \pm 0.1	APPLICATION SPEC: 114-13120	A100779C=2007250
4 PLC \pm 0.1	ANGLES \pm 0.1	WEIGHT: -	SCALE: 4:1 SHEET 4 OF 4 REV E
MATERIAL: -	FINISH: -	Customer Drawing	