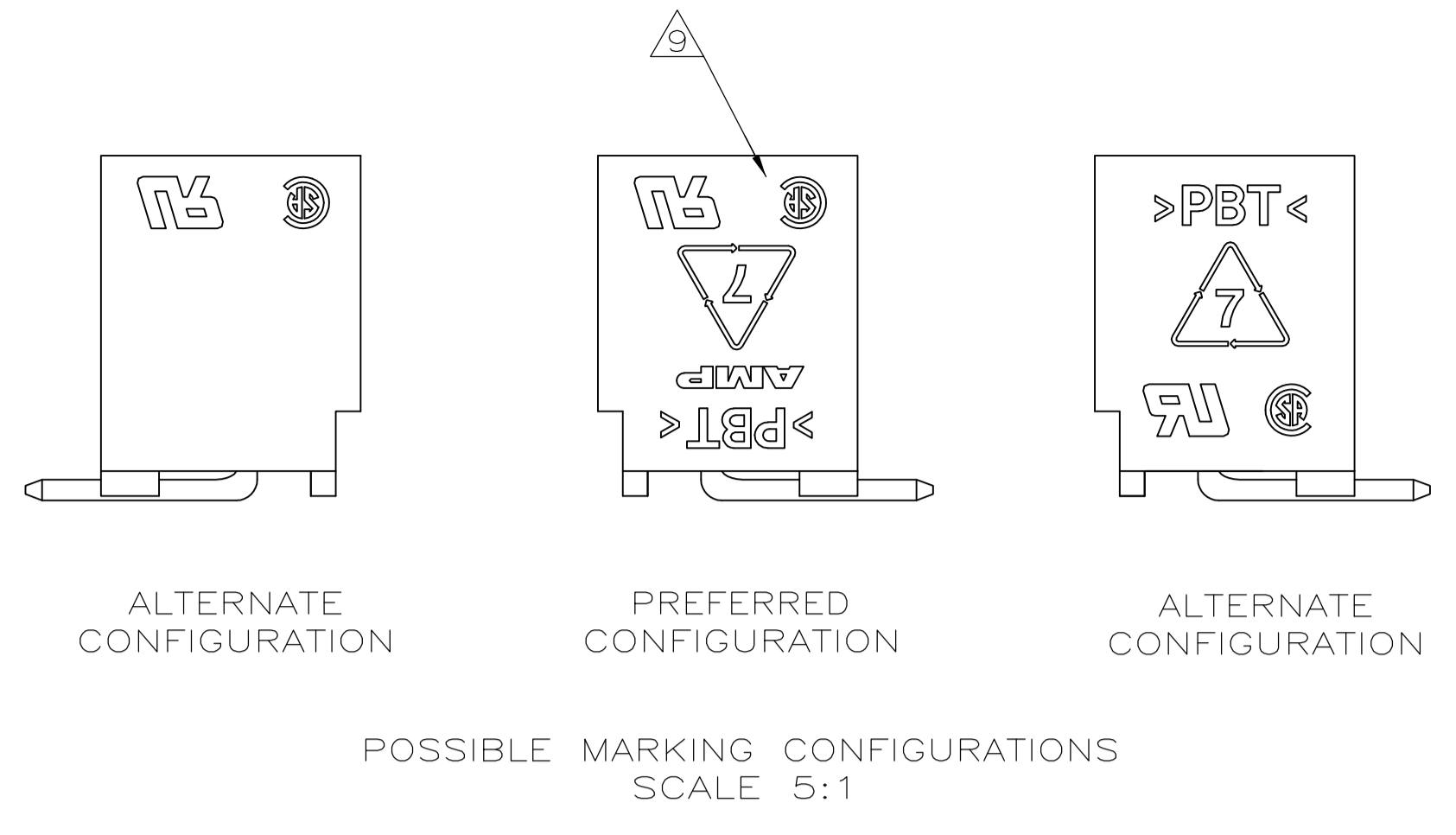
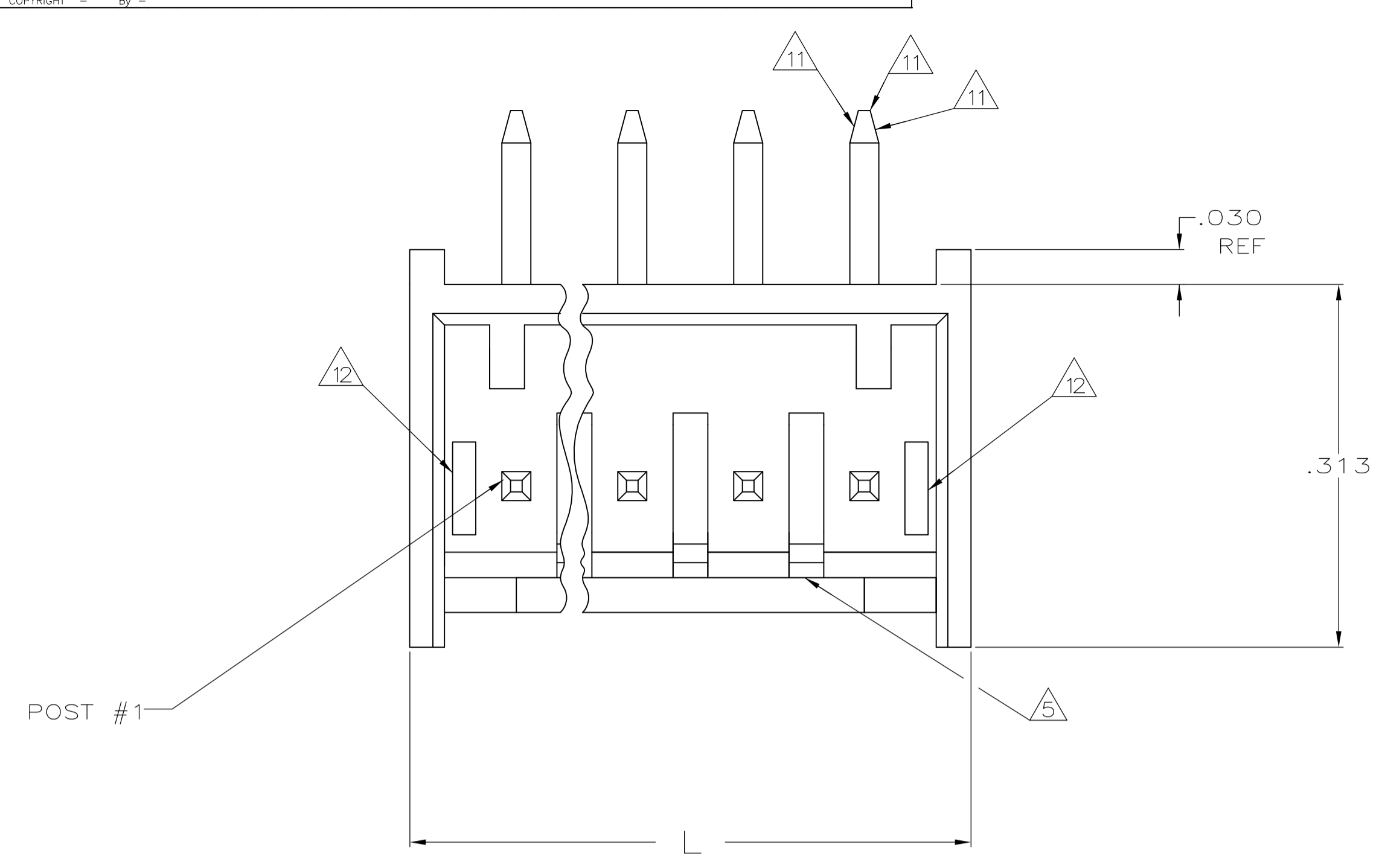
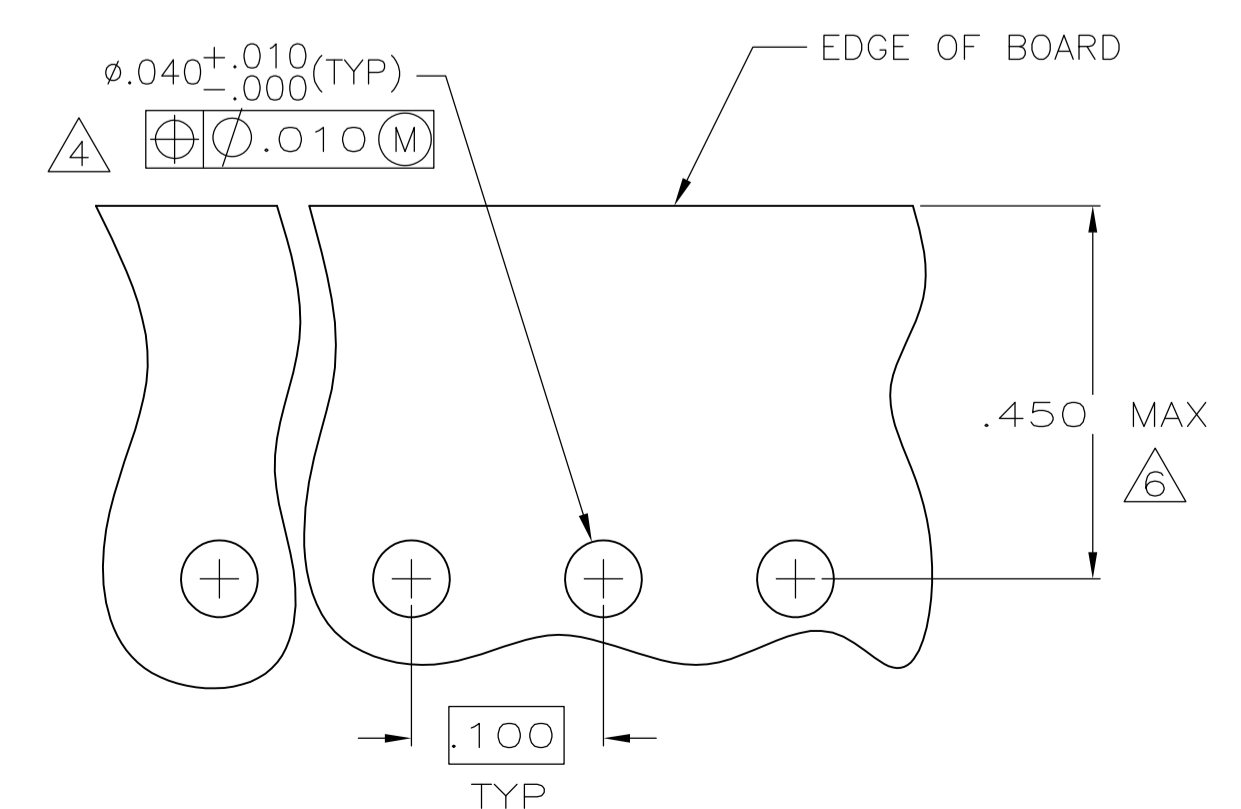
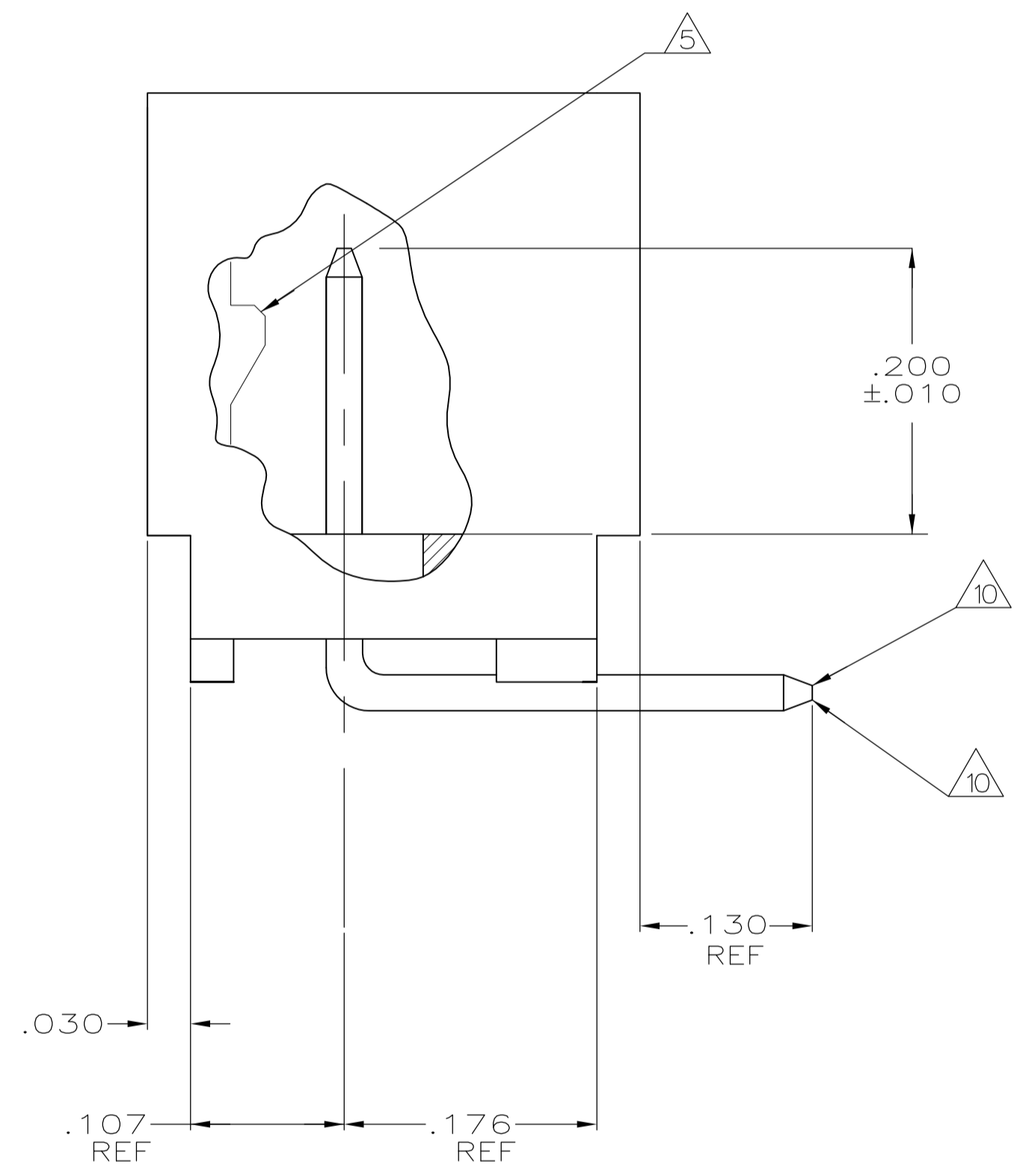
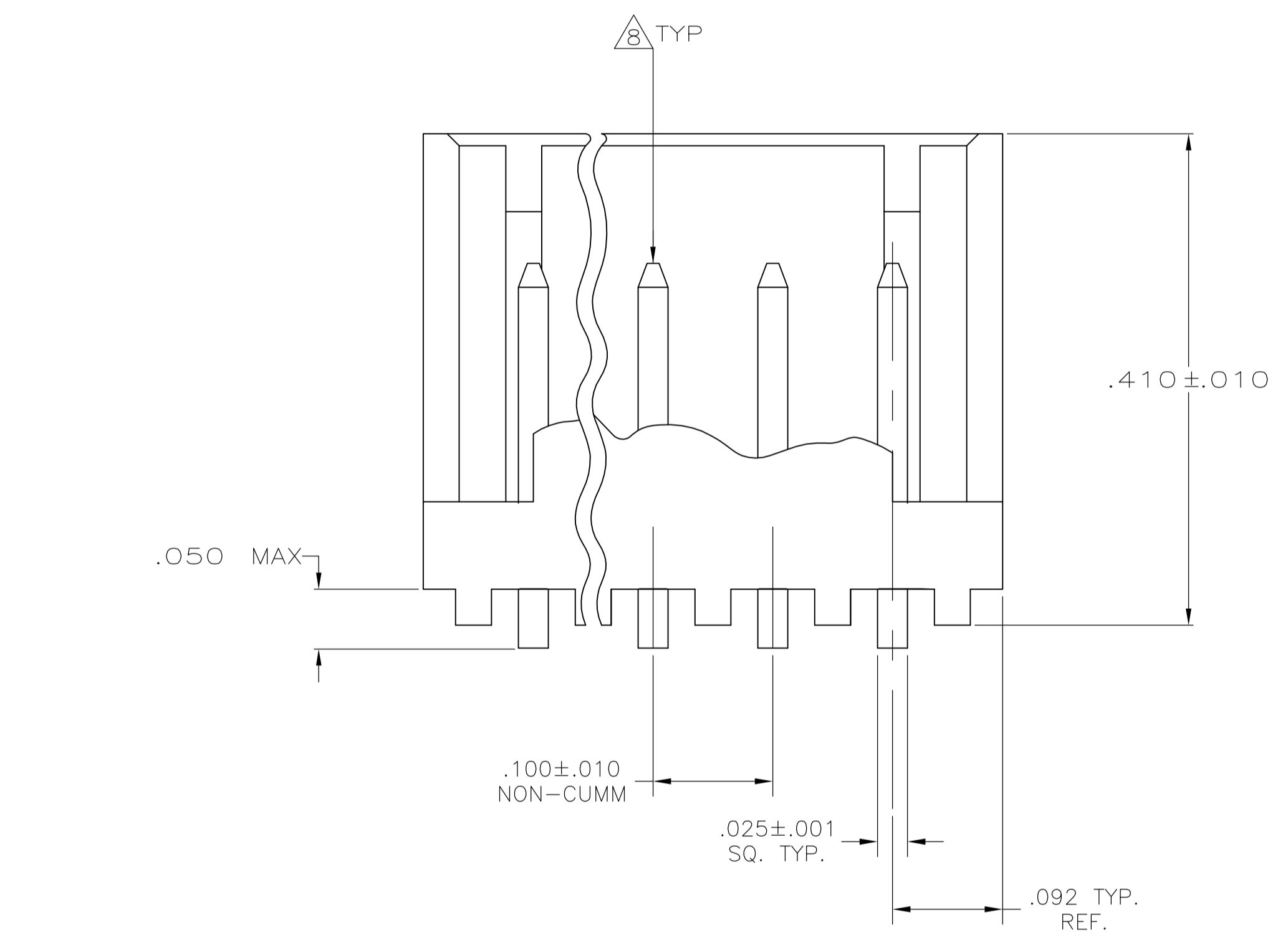


LOC		DIST		REVISIONS			
CM	00	REV	DATE	BY	APPV	DATE	BY
H	REVISED	PER	ECO-11-006470	12JUL11	HMR	SM	



- 1 MATERIAL: HEADER- POLYESTER UL94V-0 (BLACK)
POST- COPPER ALLOY.
- 2 SOLDER SIDE OF P.C. BOARD SHOWN.
- 3 PARTS COMPLY WITH AMP SOLDERABILITY SPEC 109-11-2.
- 4 ONE HOLE MAY BE UNDERSIZED (.032-.035 DIA) FOR ASSEMBLY RETENTION DURING WAVE SOLDERING.
- 5 LATCH DETENT FEATURE OCCURS 2 PLACES ON EACH END (MAXIMUM OF FOUR PER PART). FOR 2 THRU 5 CIRCUIT HEADERS, LATCH FEATURE OCCURS BETWEEN EACH CIRCUIT.
- 6 COORDINATE DIMENSION APPLIES FROM CENTER OF ACTUAL FEATURE.
- 7 POST: 100% MATTE TIN PLATED.
- 8 POST MUST WITHSTAND 3.0 LBS (13.3 N) MIN FORCE WITHOUT DISLODGING, EITHER DIRECTION.
- 9 UL AND CSA LOGO WILL APPEAR IN THIS AREA. AMP LOGO MAY APPEAR IN THIS AREA OR ON BOTTOM OF PART.
- 10 TWO SIDES OF TAPER, AS SHOWN, MUST BE PLATED. TYPICAL, BOTH ENDS.
- 11 TWO SIDES OF TAPER, AS SHOWN, AND TIP MAY BE UNPLATED. TYPICAL, BOTH ENDS.
- 12 SLOTS MAY OR MAY NOT APPEAR ON THESE PARTS.
- 13 POST: MATTE TIN-LEAD (93/7) PLATED.
- 14 OBSOLETE PART NUMBER.



IN	MM	IN	MM	IN	MM
.035	0.89	.176	4.47	-	-
.032	0.81	.130	3.3	-	-
.030	0.76	.107	2.72	-	-
.025	0.64	.100	2.54	.450	11.43
.010	0.25	.092	2.34	.410	10.41
.005	0.13	.063	1.6	.313	7.95
.001	0.03	.050	1.27	.300	7.62
.000	0	.040	1.02	.200	5.08
IN	MM	IN	MM	IN	MM

CONVERSION TABLE

IN	MM	NO OF POSITIONS	PART NUMBER	LEADFREE	FINISH
1.484	37.69	14	3-644803-4		
1.384	35.15	13	3-644803-3		
1.284	32.61	12	3-644803-2		
1.184	30.07	11	3-644803-1		
1.084	27.53	10	3-644803-0		
.984	24.99	9	2-644803-9		
.884	22.45	8	2-644803-8		
.784	19.91	7	2-644803-7		
.684	17.37	6	2-644803-6		
.584	14.83	5	2-644803-5		
.484	12.29	4	2-644803-4		
.384	9.75	3	2-644803-3		
.284	7.21	2	2-644803-2	YES	7

IN	MM	NO OF POSITIONS	PART NUMBER	LEADFREE	FINISH
1.484	37.69	14	1-644803-4		
1.384	35.15	13	1-644803-3		
1.284	32.61	12	1-644803-2		
1.184	30.07	11	1-644803-1		
1.084	27.53	10	1-644803-0		
.984	24.99	9	644803-9		
.884	22.45	8	644803-8		
.784	19.91	7	644803-7		
.684	17.37	6	644803-6		
.584	14.83	5	644803-5		
.484	12.29	4	644803-4		
.384	9.75	3	644803-3		
.284	7.21	2	644803-2	NO	13

THIS DRAWING IS A CONTROLLED DOCUMENT.

STC TE Connectivity

MTA-100 SHROUDED HEADER ASSEMBLY, FRICTION LOCK, RIGHT ANGLE POST, TIN OR TIN LEAD PLATED

00779-644803

SCALE 10:1 SHEET 1 OF 1 REV H

