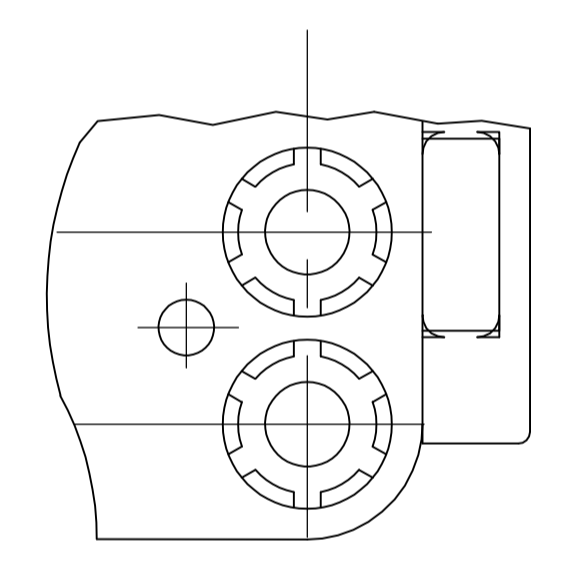
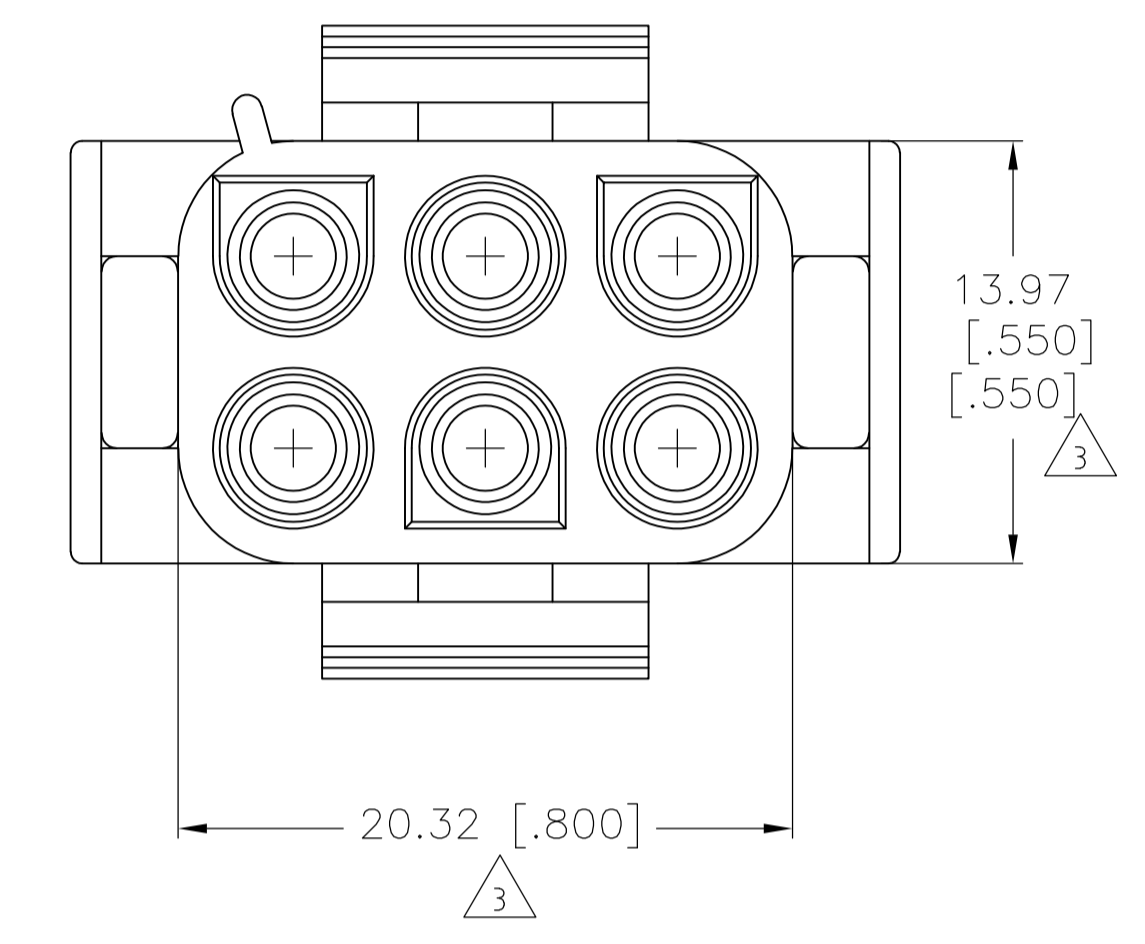
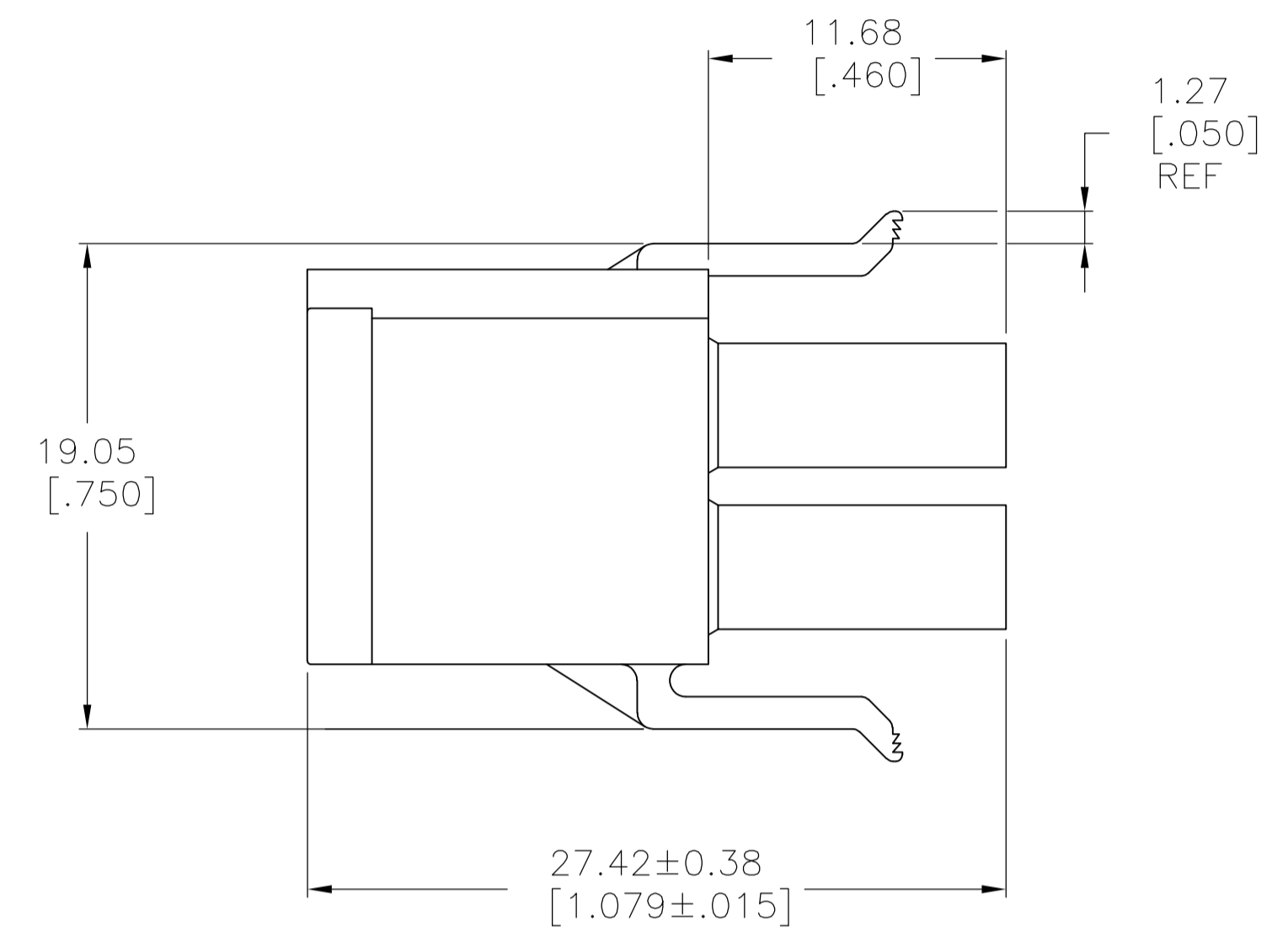
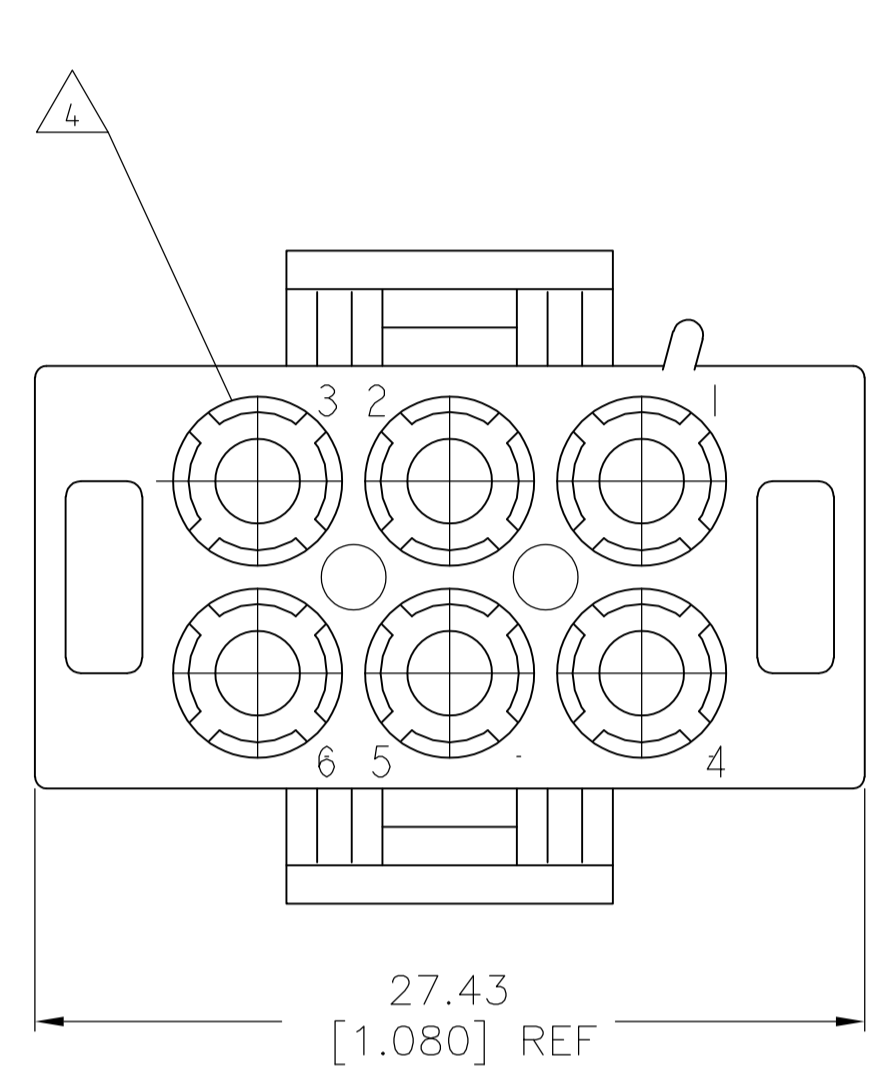
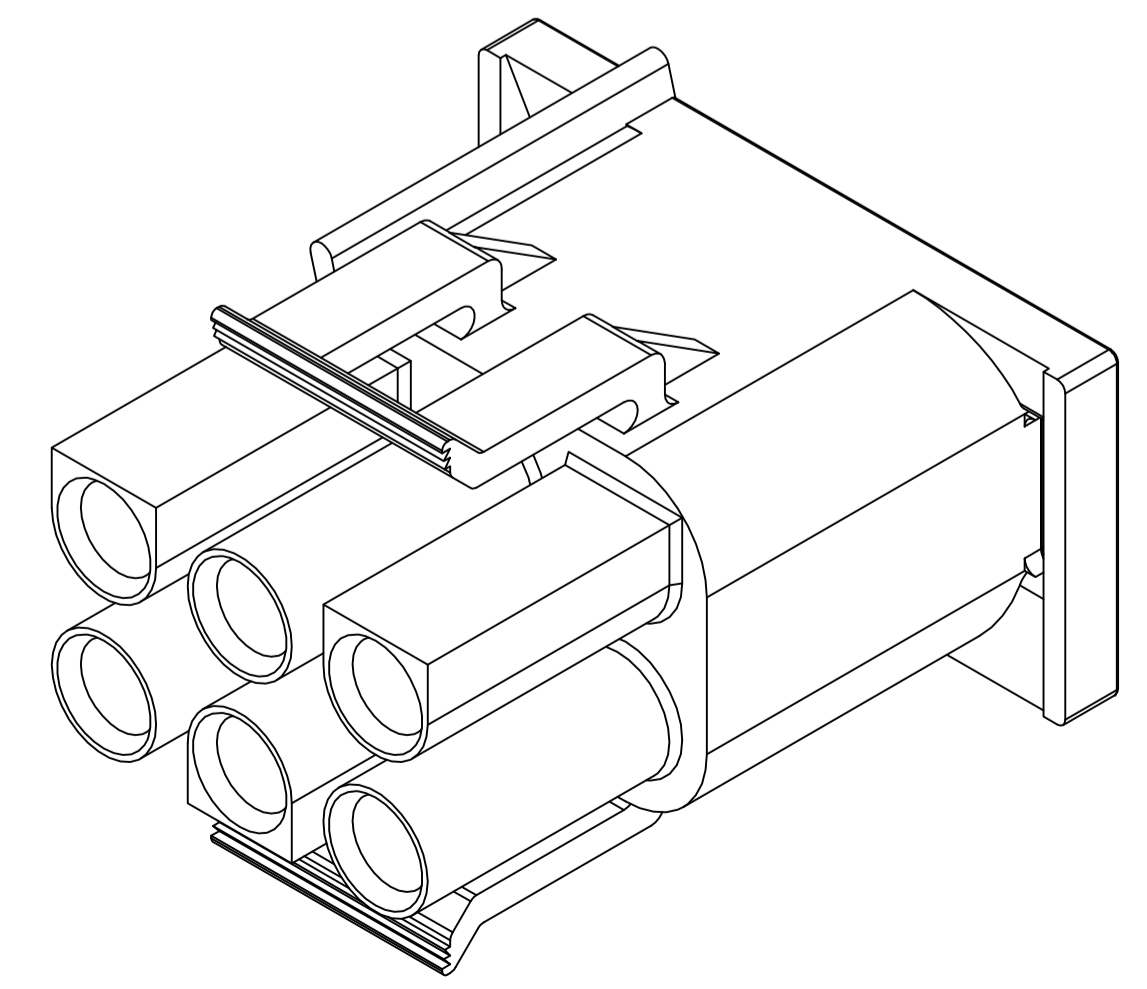
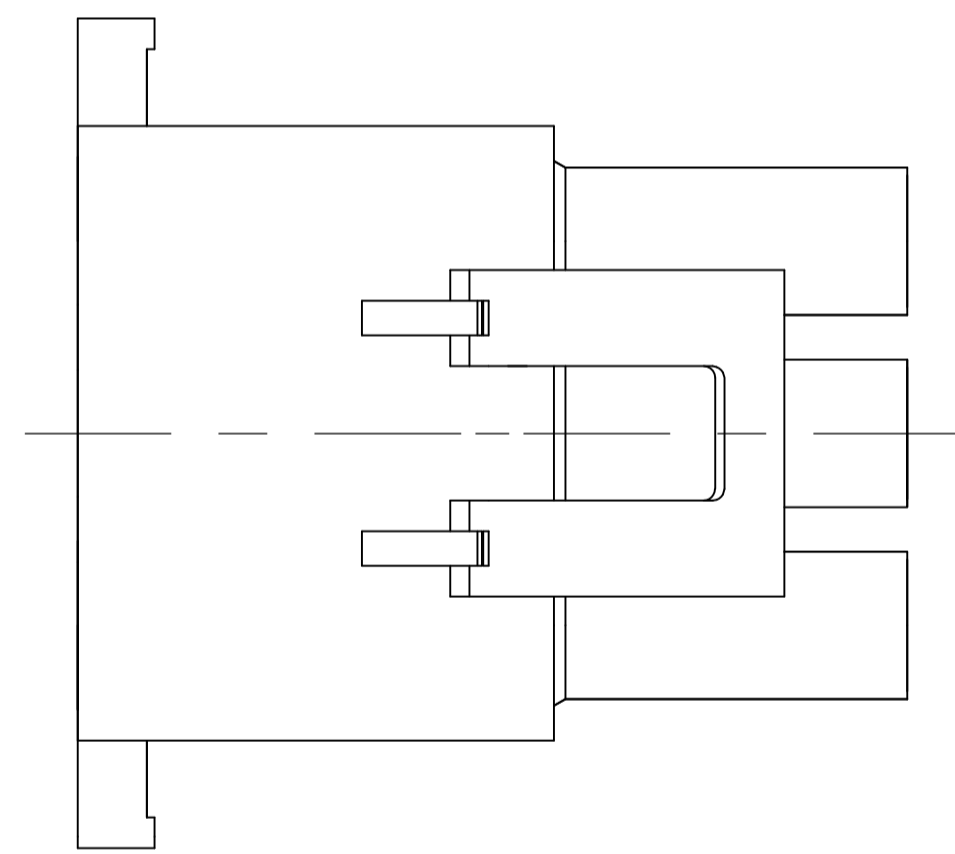


LOC		DIST		REVISIONS			
CM	53	REV	DATE	DESCRIPTION	DATE	BY	APPV
		B1	08NOV10	REVISED PER ECR 0-022900		JR	TM

- 1 MATES WITH APPROPRIATE UNIVERSAL MATE-N-LOK™ CAP OR HEADER.
- 2 SMALL NICKS ARE PERMITTED ON THE CIRCUIT TOWERS WHICH COULD INCREASE THE INITIAL HOUSING MATING FORCE BY UP TO 4.4 NEWTONS [1.0 LBS]. NO INDIVIDUAL NICKED TOWER SHALL INCREASE THIS FORCE BY OVER 2.2 NEWTONS [.5 LBS].
- 3 DIMENSION INDICATED IS AS MOLDED. ADDITIONAL GROWTH DUE TO SUBSEQUENT MOISTURE ABSORPTION MAY OCCUR.
- 4 FOUR RIBS EQUALLY SPACED, NO SPECIFIC ORIENTATION, OR SIX RIBS EQUALLY SPACED, NO SPECIFIC ORIENTATION, OPTIONAL
- 5 FLAMMABILITY V2 FOR THICKNESS 0.38mm, 1.5mm, and 3.0mm PER IEC 60695-11-10.
- 6 GLOW-WIRE FLAMMABILITY (GWFI) 800°C FOR THICKNESS 0.38mm AND 0.75mm PER IEC 60695-2-12.
- 7 GLOW-WIRE FLAMMABILITY (GWFI) 960°C FOR THICKNESS 1.5mm AND 3.0mm PER IEC 60695-2-12.
- 8 GLOW-WIRE IGNITION (GWIT) 825°C FOR THICKNESS 0.38mm, 0.75mm, 1.5mm AND 3.0mm PER IEC 60695-2-13.



OPTIONAL CONSTRUCTION 4



5	6	7	8	MATERIAL	PART NUMBER
				NYLON UL94V-2 GWT NATURAL	794816-2
				NYLON UL94V-0 NATURAL	794816-1

THIS DRAWING IS A CONTROLLED DOCUMENT.		DIN K. WHITAKER 01JUN2001		Tyco Electronics Corporation	
DIMENSIONS: mm		CHK S. RIDGILL 01JUN2001		Harrisburg, PA 17105-3608	
TOLERANCES UNLESS OTHERWISE SPECIFIED:		APVD S. RIDGILL 01JUN2001		NAME	
0. PLC	± -	PRODUCT SPEC		PLUG, SHORT LATCH, 6 CIRCUIT, UNIVERSAL MATE-N-LOK™	
1. PLC	± -	APPLICATION SPEC		SIZE CAGE CODE DRAWING NO	
2. PLC	± 0.13	WEIGHT		A1 00779 C=794816	
3. PLC	± -	CUSTOMER DRAWING		SCALE 4:1 SHEET 1 OF 1 REV B1	
4. PLC	± -				
ANGLES	± 0° 30'				
FINISH	-				

METRIC