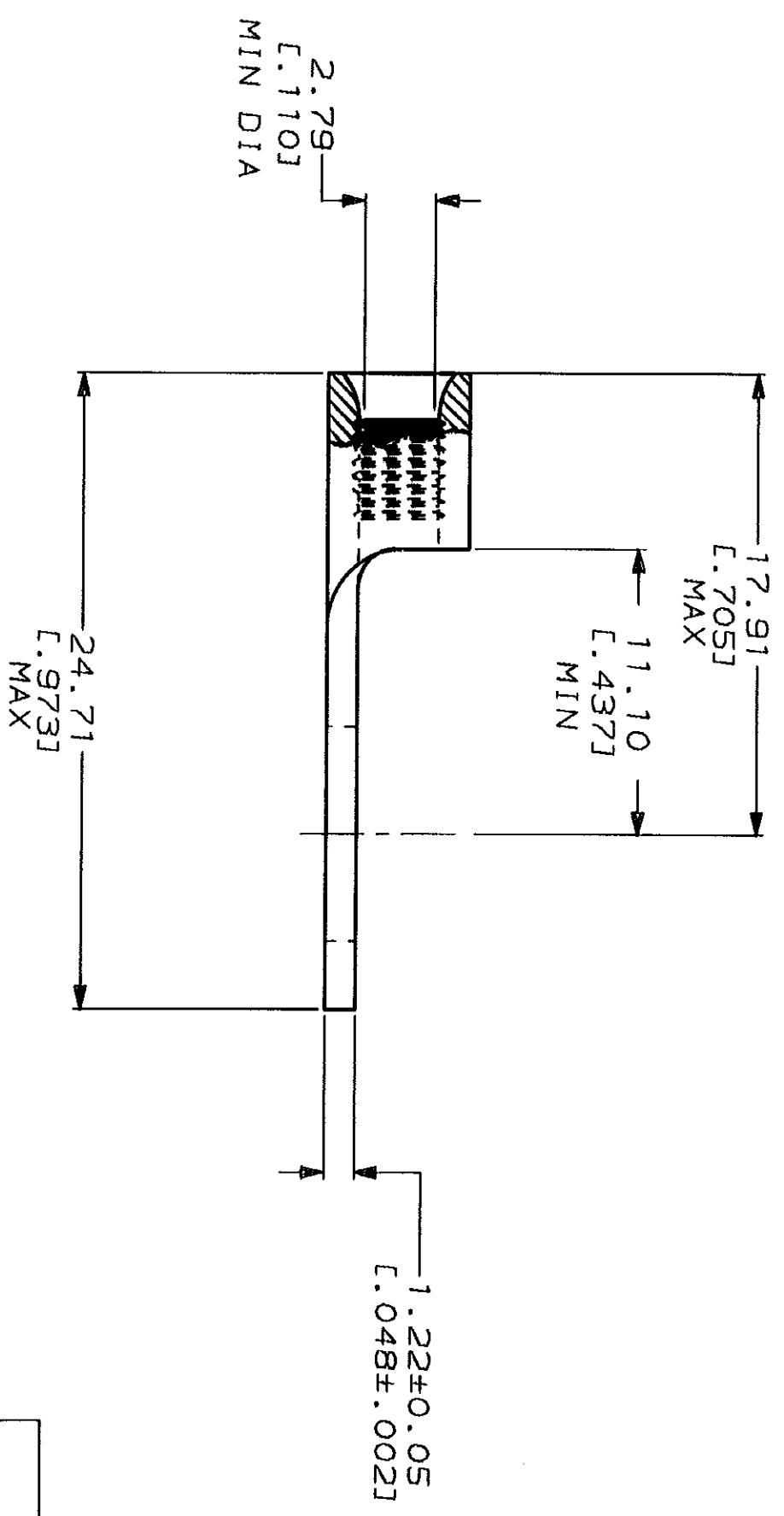
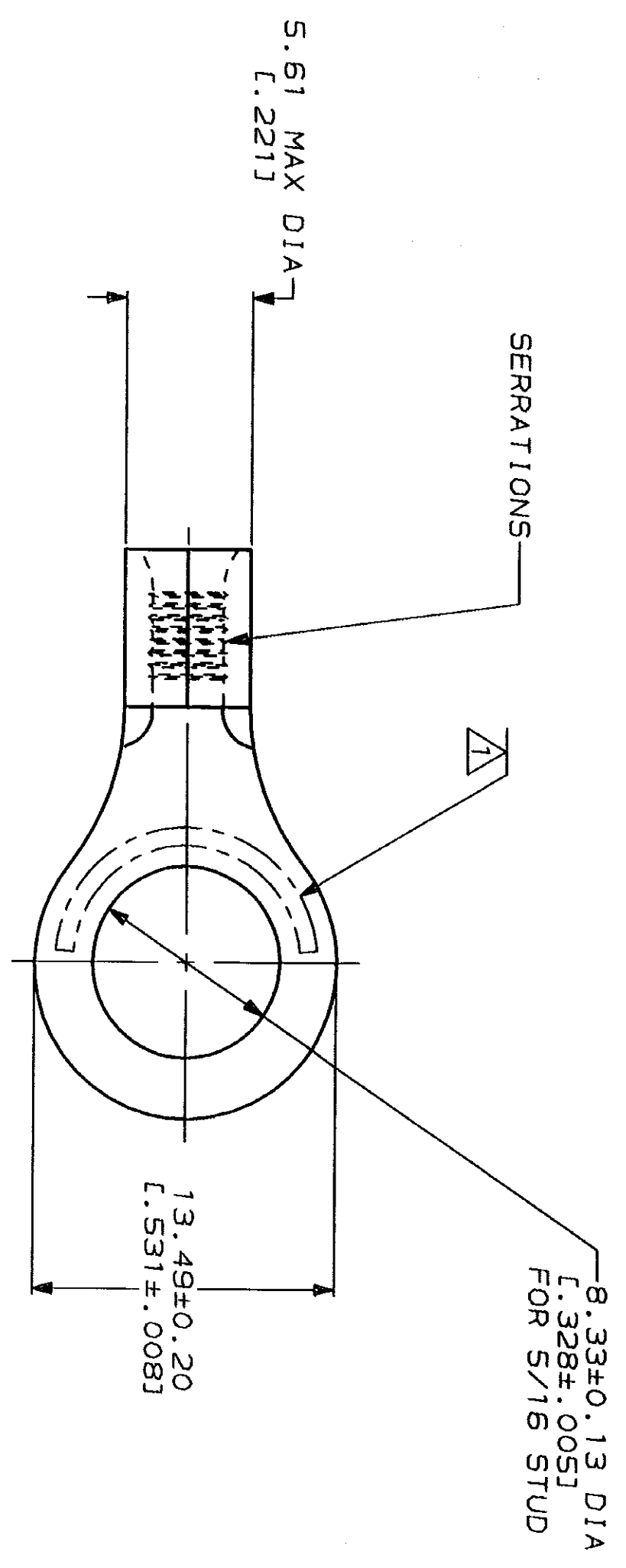


LOC	DIST	ZONE	LTR	DESCRIPTION	DATE	APPD
G	14			RELEASED PER 0720-0008-93	2-1-93	JL DAP

METRIC
 DIMENSIONS LISTED IN MM [INCHES]

AMP WIRE RANGE	JL E13288 Listed
16-14HD AWG STRANDED	16-14HD AWG STRANDED
LR7189 Certified	MILITARY P/N AND CLASS
NOT CERTIFIED	NOT APPLICABLE

△ STAMP AMP 16-14HD* APPROX AS SHOWN



**AMP INCORPORATED
 CUSTOMER SERVICE SYSTEMS**

FOR ADDITIONAL PRODUCT INFORMATION OR COPIES OF DRAWINGS AND TECHNICAL DOCUMENTS	PRODUCT INFORMATION CENTER 1-800-522-6752
FOR APPLICATION TOOLING INFORMATION	TOOLING ASSISTANCE CENTER 1-800-722-1111
FOR ORDER ENTRY	1-800-526-5142

MAX RECOMMENDED OPERATING TEMPERATURE: 170°C MAX

VOLTAGE RATING: NOT APPLICABLE

WIRE CROSS SECTIONAL AREA RANGE: 1.04-2.62mm² [2,050-5,180] CIR MILS STRANDED

THIS DRAWING IS A CONTROLLED DOCUMENT FOR THE CONTROLLING ENGINEERING ORGANIZATION AND SHOULD BE CONTACTED FOR THE LATEST REVISION.

DO NOT SCALE PRINT. UNLESS SPECIFIED DIMENSIONS IN MILLIMETERS - TOLERANCES ON: 1. PLC DEC ± .05 2. PLC DEC ± .02 3. PLC DEC ± .01 ANGLES

FINISH: TIN PLATE
 0.00254 [L.000100] MIN THK PER MIL-T-10727

DR 2-1-93 TA BRINKMAN
 CHK 2-1-93 DA PATTERSON
 APPD 2-1-93 DE MILLER
 APPD 2-1-93 JL MECKLEY
 PRODUCT SPEC

AMP AMP Incorporated
 Harrisburg, PA 17105-3608

TERMINAL, RING TONGUE,
 HEAVY DUTY, BUDGET

SIZE	CAGE CODE	DRAWING NO
SCALE	00779	G-33647
4:1		

33647
 PART NO