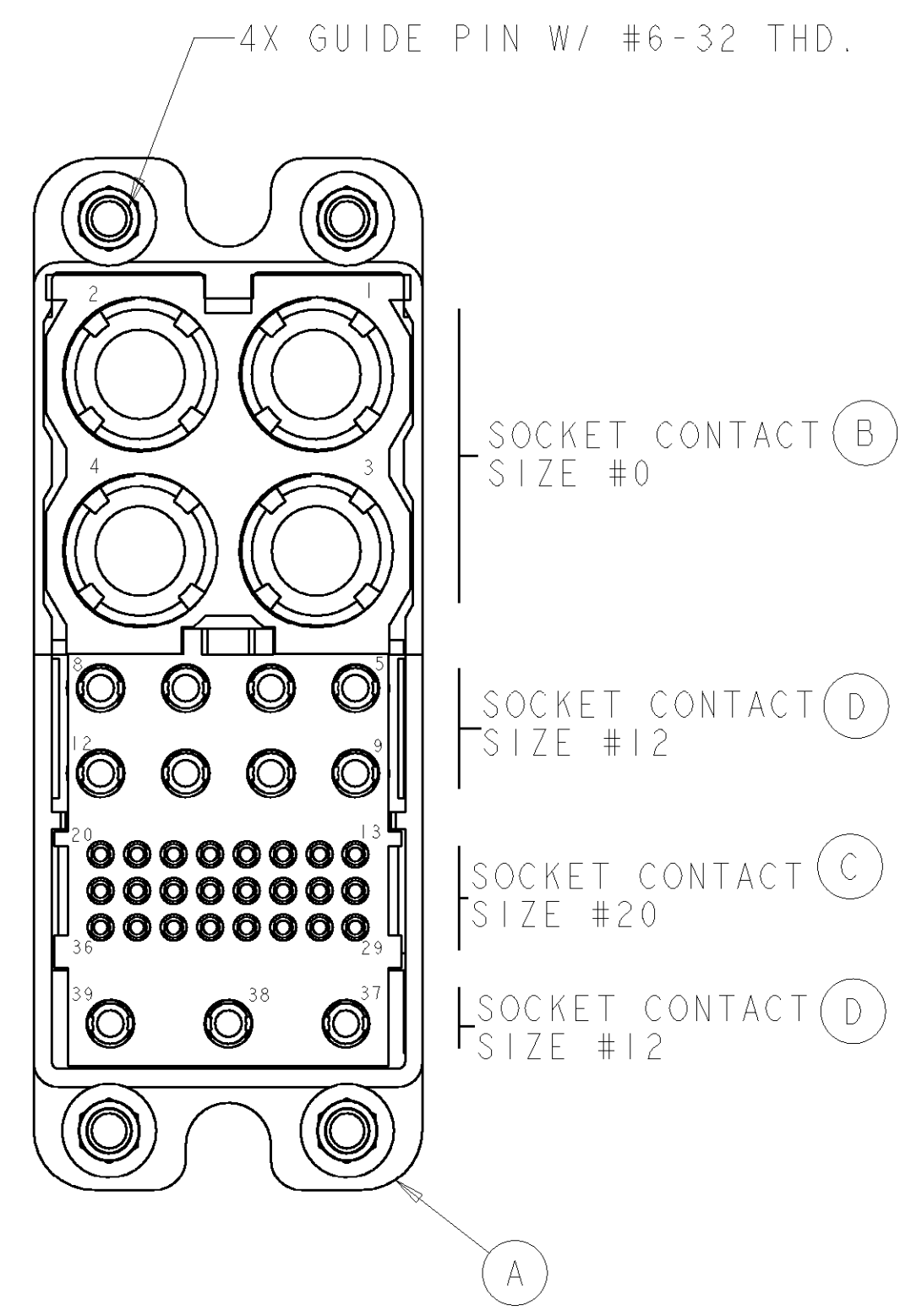
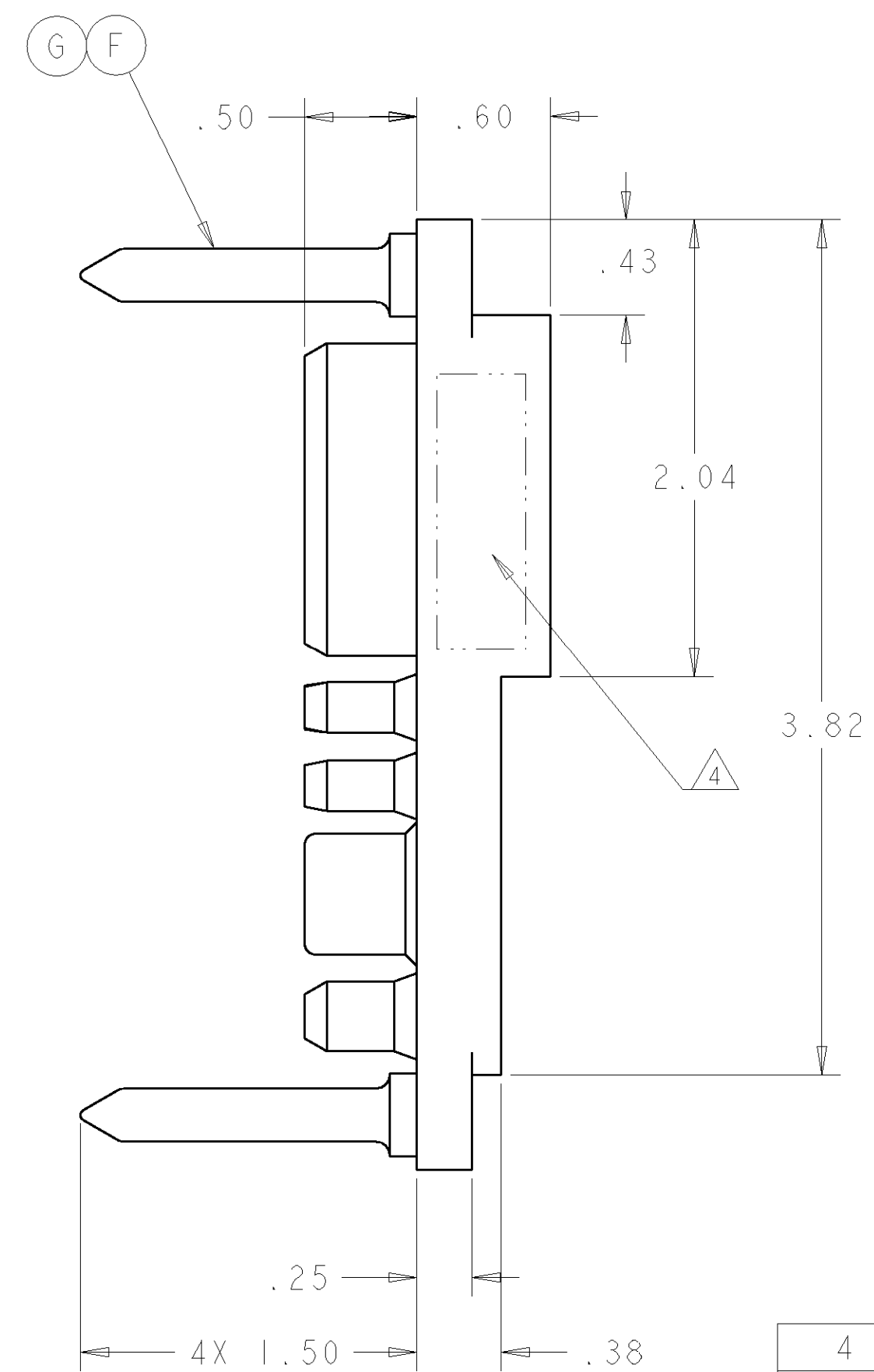
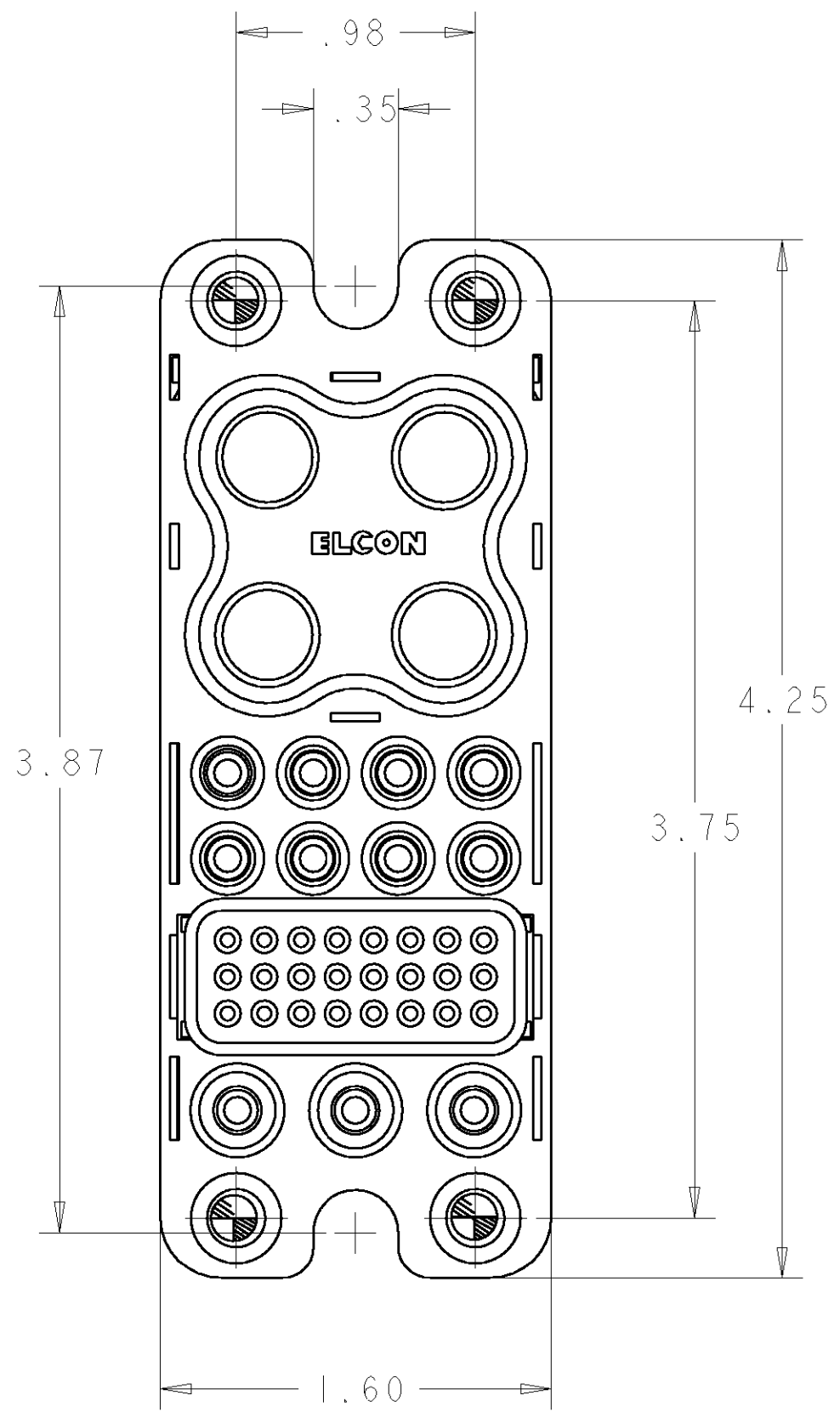


THIS DRAWING IS UNPUBLISHED. RELEASED FOR PUBLICATION 20  
 © COPYRIGHT 20 BY TYCO ELECTRONICS CORPORATION. ALL RIGHTS RESERVED.

LOC		DIST		REVISIONS			
P	LTR	DESCRIPTION	DATE	DWN	APVD		
GP	00	A	NEW RELEASE	16APR2007	RG	DO	



4	1650094-2	LOCKING COLLAR, 3/8 DIA.	G	
4	1650560-1	GUIDE PIN, 1/4 DIA., 6-32 INT. THD	F	
5	2	1650399-1	SCREW, NO. 10-32 UNC 2A	E
5	11	6648318-1	CONTACT, SOCKET, #12, CRIMP	D
5	10	1648325-1	CONTACT, SOCKET, #20, CRIMP	C
5	4	6648405-1	CONTACT, SOCKET, #0 CRIMP	B
1	1648578-2	CONNECTOR, SOCKET	A	
-1	PART NUMBER	DESCRIPTION	ITEM	

**ELCON DRAWER**

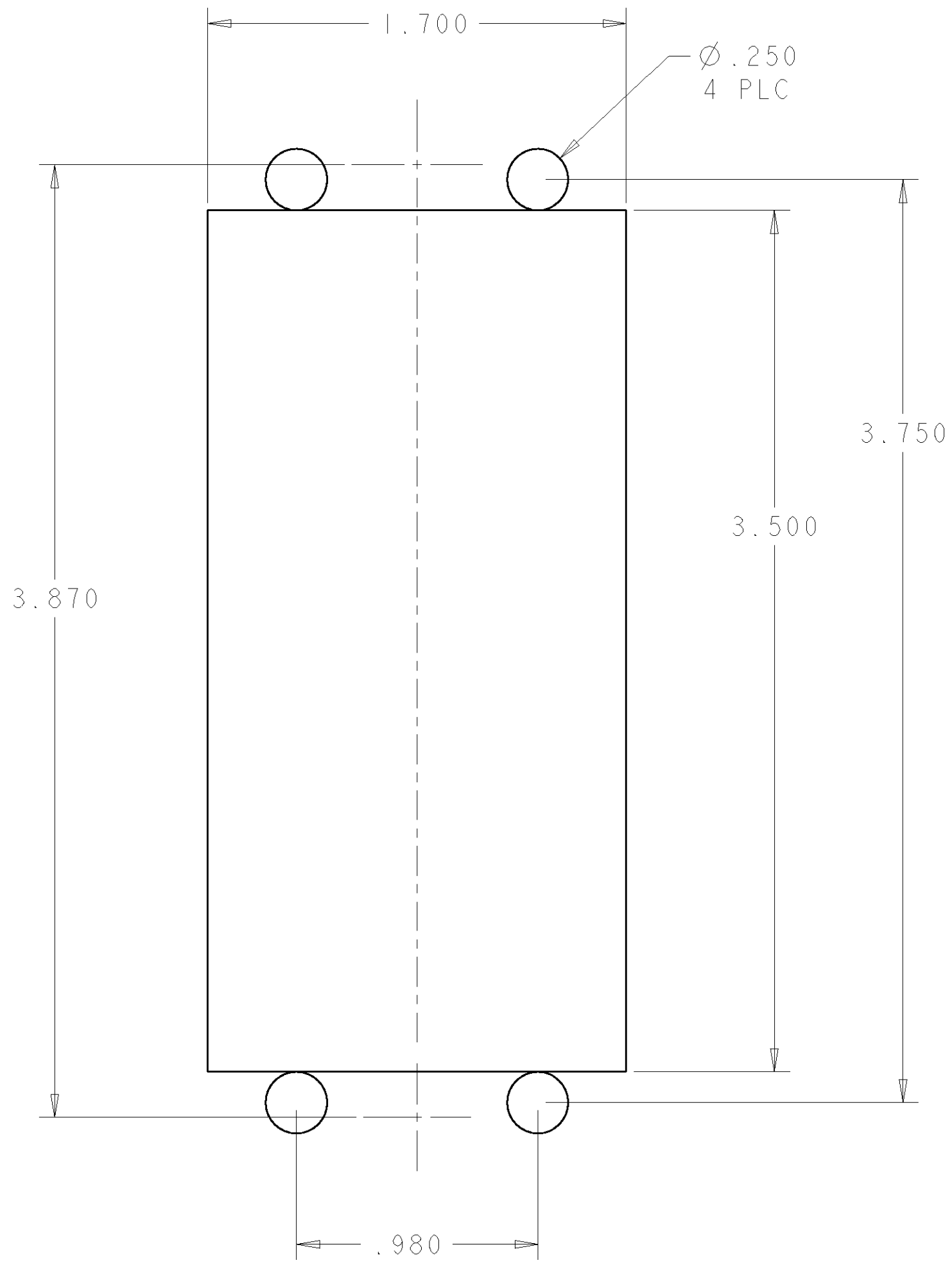
THIS DRAWING IS A CONTROLLED DOCUMENT FOR TYCO ELECTRONICS CORPORATION. IT IS SUBJECT TO CHANGE AND THE CONTROLLING ENGINEERING ORGANIZATION SHOULD BE CONTACTED FOR THE LATEST REVISION.

DIMENSIONS: INCHES	TOLERANCES UNLESS OTHERWISE SPECIFIED:	DWN: R. GRZYBOWSKI 21MAR07	Tyco Electronics Harrisburg, PA 17105-3608
0 PLC ±	1 PLC ±	CHK: D. ORRIS 21MAR07	
1 PLC ±	2 PLC ±.02	APVD: S. FLICKINGER 21MAR07	NAME: DOUBLE DRAWER CONNECTOR SOCKET
2 PLC ±.02	3 PLC ±.010	PRODUCT SPEC: -	SIZE: A2
3 PLC ±.010	4 PLC ±	APPLICATION SPEC: -	CAGE CODE: 00779
4 PLC ±	ANGLES ±.5	WEIGHT: -	DRAWING NO: 1926460
MATERIAL: -	FINISH: -	CUSTOMER DRAWING	RESTRICTED TO: -

SCALE: 2:1 SHEET 1 OF 2 REV A

THIS DRAWING IS UNPUBLISHED. RELEASED FOR PUBLICATION 20  
 © COPYRIGHT 20 BY TYCO ELECTRONICS CORPORATION. ALL RIGHTS RESERVED.

LOC	DIST	REVISIONS					
GP	00	P	LTR	DESCRIPTION	DATE	DWN	APVD
		-		SEE SHEET 1			



- PART NUMBER CHANGES AND OR DESIGN CHANGES AFFECTING THE INTERCHANGEABILITY REQUIRE PRIOR TYCO APPROVAL AND AUTHORIZATION BY REVISION TO THIS DRAWING.
- MATERIAL:  
 INSULATOR: THERMOPLASTIC, GLASS REINFORCED, UL 94V-0  
 FLAMMABILITY RATED, COLOR: BLACK  
 SOCKET CONTACT: COPPER ALLOY  
 RETENTION CLIP: BERYLLIUM COPPER  
 CROWN BAND: BERYLLIUM COPPER  
 GUIDE PIN: STAINLESS STEEL  
 FLOAT MOUNT SCREW: STAINLESS STEEL
- FINISH:  
 SOCKET BODY SIZE #20: GOLD PLATE .000010 MIN. THK. OVER NICKEL  
 .000040 MIN. THK.  
 SOCKET BODY SIZE #12 & 0: SILVER PLATE .000200 MIN THK. OVER  
 NICKEL .000040 MIN. THK.  
 CROWN BAND: GOLD PLATE .000030 MIN THK. OVER  
 NICKEL .000040 MIN. THK.

△ ITEMS PROVIDED TO THIS SPECIFICATION TO BE PERMANENTLY IDENTIFIED PER THE FOLLOWING IDENTIFIER:

TYCO PART NUMBER: XXXXXXXX-X  
 DATE CODE (e.g. 0216): YEAR WEEK  
 XXXX

△ CRIMP CONTACTS AND SCREWS (ITEM B, C, D & E) SHALL BE PACKAGED SEPARATELY AND PLACED IN THE BOX WITH THE CONN. ASSEMBLY.

SUGGESTED PANEL CUTOUT  
 VIEWED FROM CONNECTOR MOUNTING SIDE

<small>THIS DRAWING IS A CONTROLLED DOCUMENT FOR TYCO ELECTRONICS CORPORATION          IT IS SUBJECT TO CHANGE AND THE CONTROLLING ENGINEERING ORGANIZATION          SHOULD BE CONTACTED FOR THE LATEST REVISION.</small>		DWN R.GRZYBOWSKI 21MAR07 CHK D.ORRIS 21MAR07 APVD S.FLICKINGER 21MAR07	<b>tyco</b> Tyco Electronics Harrisburg, PA 17105-3608
DIMENSIONS: INCHES	TOLERANCES UNLESS OTHERWISE SPECIFIED: 0 PLC ± 1 PLC ± 2 PLC ±.02 3 PLC ±.010 4 PLC ± ANGLES ±.5 FINISH	PRODUCT SPEC APPLICATION SPEC WEIGHT	NAME DOUBLE DRAWER CONNECTOR SOCKET
MATERIAL		CUSTOMER DRAWING	SIZE A2 CAGE CODE 00779 DRAWING NO. C-1926460 RESTRICTED TO
		SCALE 2:1	SHEET 2 OF 2 REV A