

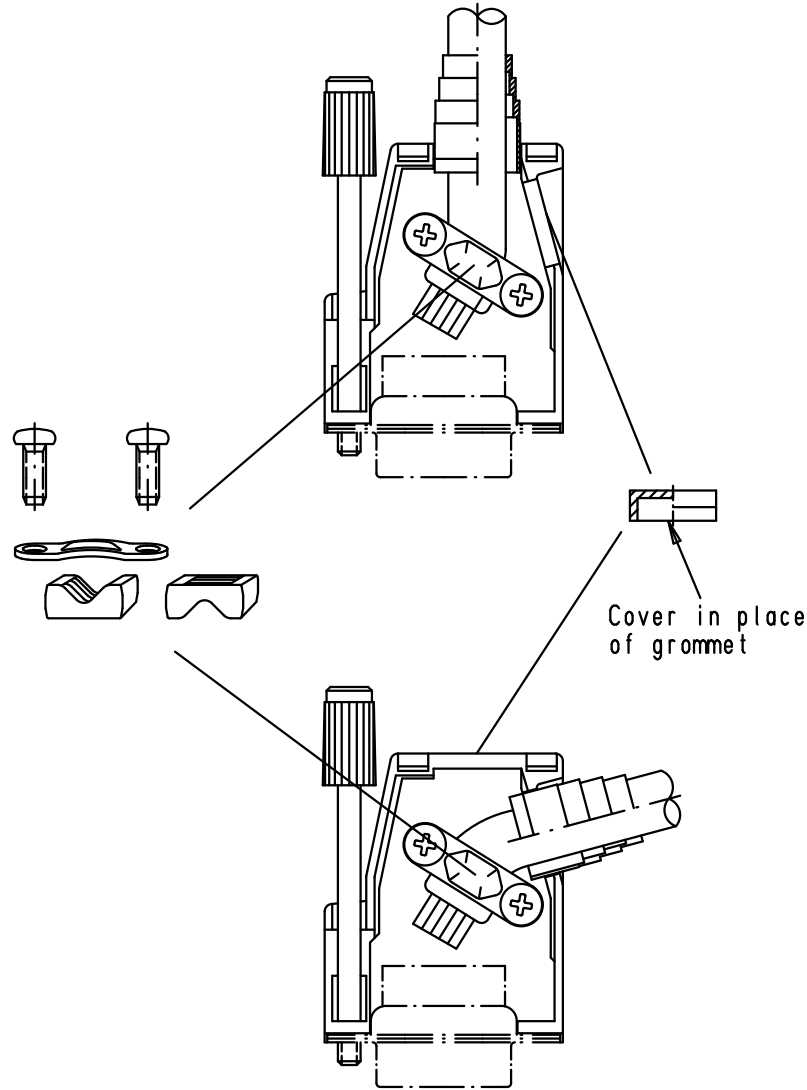
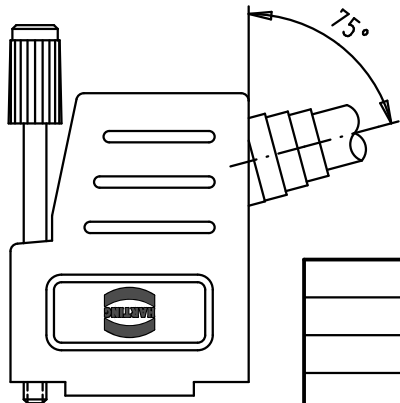
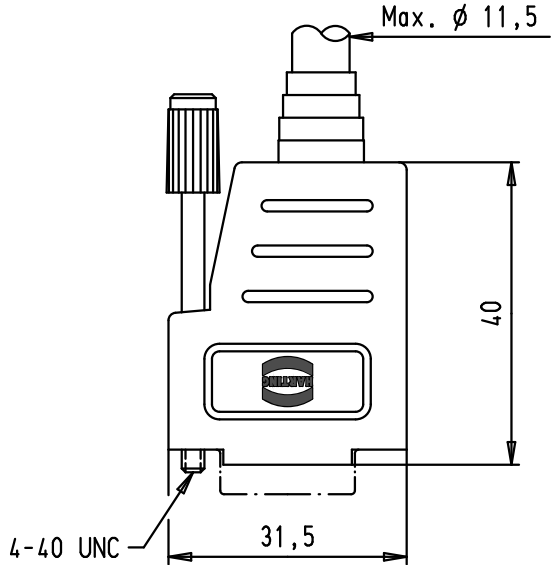
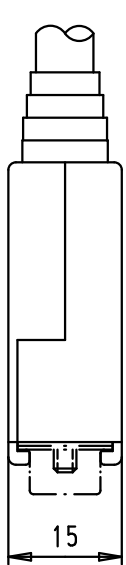
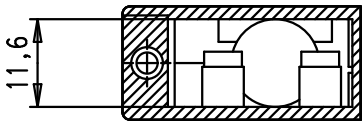
5 4 3 2 1

D

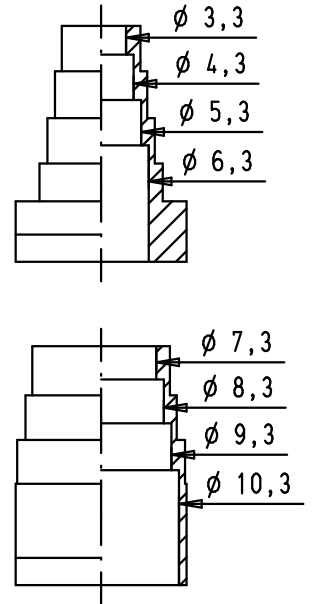
C

B

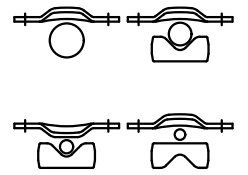
A



Cable diameters



Scale: 2:1



				Dot.	Name	<p>All Dim. in mm Orig. Size DIN A 4</p>	D-Sub, top and side entry hood with knurled screws, 9 poles, thermoplastic metallized	Maßstab/ Scale	
				Detail.	28/03/02			CV	1:1
				Insp.					2:1
				Stand.					
34784	15/02/08	PK	HARTING EURL F-95972 Paris				TB 09 67 009 0435	Blatt/ Page	
29760	28/03/02	CV						1 / 1	
Mod.	Dot.	Name						Sub.	