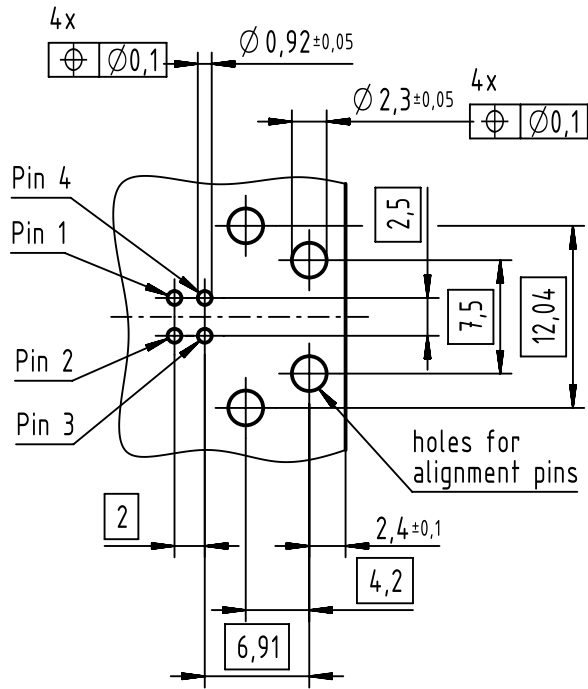


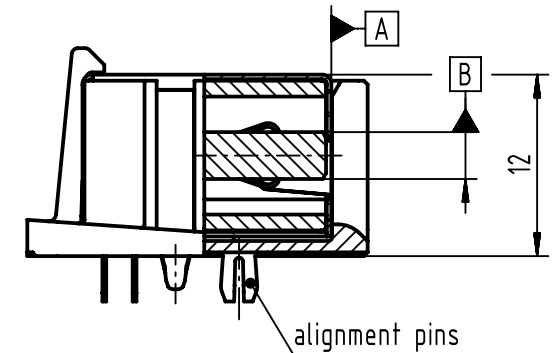
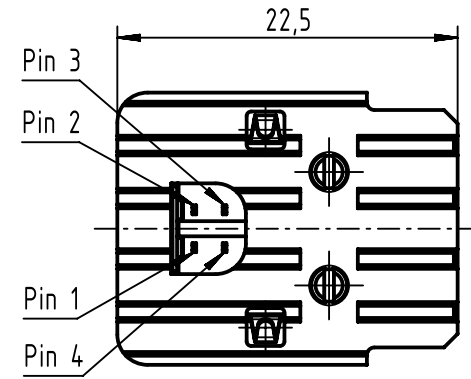
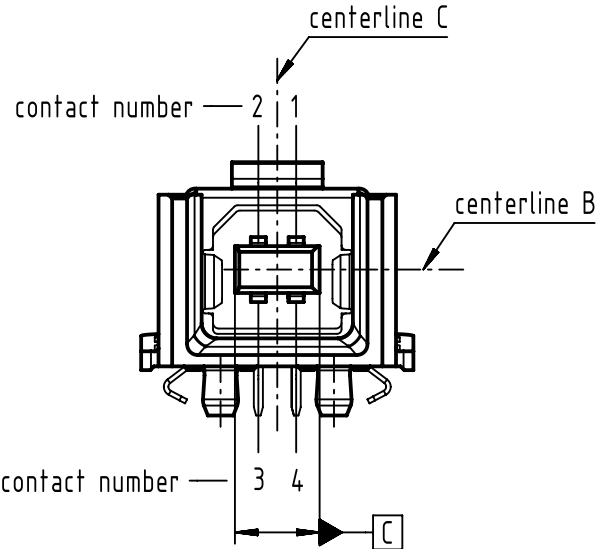
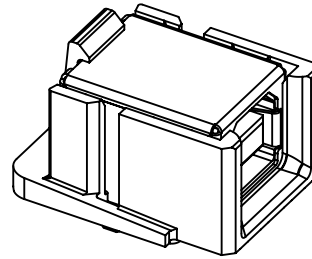
# PCB-layout (top side)



## loading-plan

V Bus	1	1
D-	2	2
D+	3	3
GND	4	4
Shield	Shell	Shell

references A, B and C  
acc. to USB specification 2.0  
[www.usb.org](http://www.usb.org)



dimension of the panel feed through and further information see: DS 09456230201

	All rights reserved Department EC PD - DE	All Dimensions in mm Original Size DIN A4		Scale 2:1	Free size tol.	Ref. Sub. TB 09 45 541 1900 Mod: 36124 02.05.2011	
		Created by HASSE	Inspected by LUETTERMANND	Standardisation HOFFMANN	Date 2013-06-28	State Final Release	
HARTING Electronics GmbH D-32339 Espelkamp		Title HPP V4 USB2.0 type B, solder jack, angled 90°, THT				Doc-Key / ECM-Nr. 100194896/UGD/002/A 500000063753	
		Type TB	Number 09455411900		Rev. A	Page 1/1	