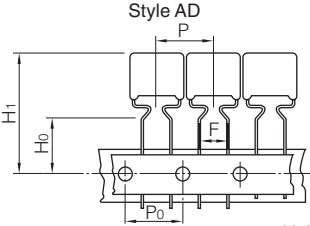
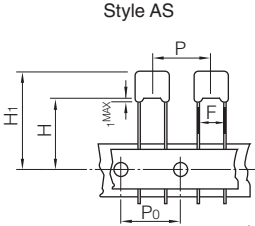
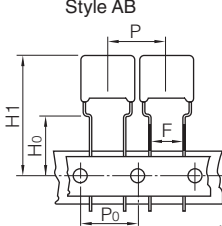


Taping type

Shape	Name	Specification	Taping style
Radial type	Standard taping	5 mm lead spacing with 12.7 mm body width	AD, AS, AB
	Odd size taping (I)	5 mm, 7.5 mm lead spacing with 15 mm & up body width	B, C, D, E, F
	Odd size taping (II)	Other than above	Please consult
Chip type	Embossed taping	Apply for chip type	8 mm, 12 mm, 16 mm, 24 mm carrier tape

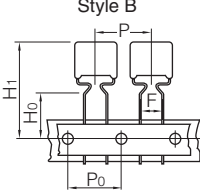
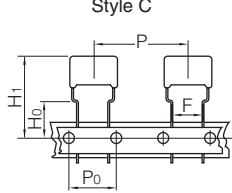
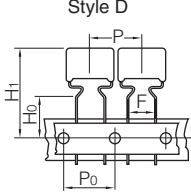
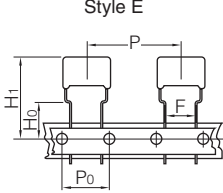
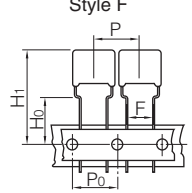
Radial type taping

● Standard taping

	Style AD	Style AS	Style AB
			
P	12.7	12.7	12.7
P ₀	12.7	12.7	12.7
F	5.0	5.0	5.0
H ₀	16.0	(H)18.0 — 20.0	16.0
H ₁	34.0 max.	34.0 max.	34.0 max.

Note : H₁ dimension is based on insertion machine "Panasert RH series" made by Panasonic.
Consult with Panasonic technical staff when using other insertion machines.

● Odd size taping (I)

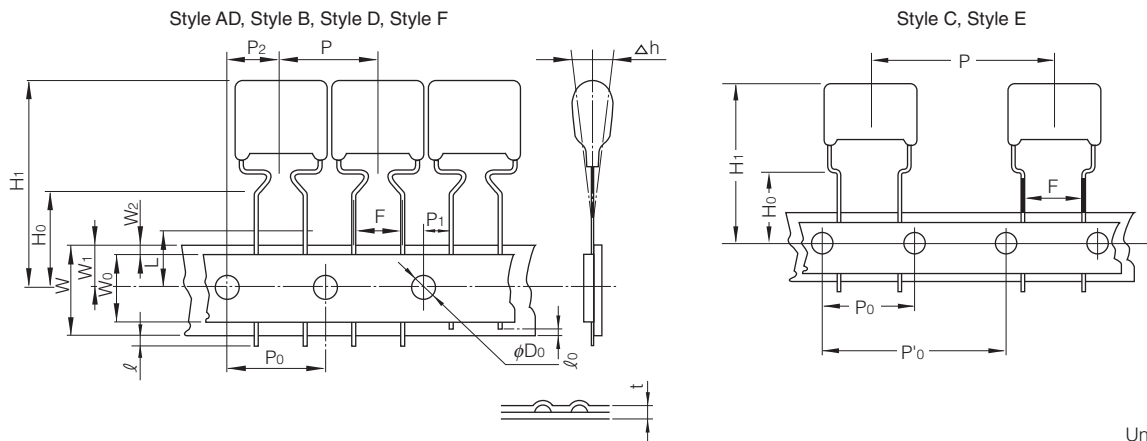
	Style B	Style C	Style D	Style E	Style F
					
P	15.0	25.4	15.0	30.0	15.0
P ₀	15.0	12.7	15.0	15.0	15.0
F	5.0	5.0	7.5	7.5	7.5
H ₀	16.0	16.0	16.0	16.0	16.0
H ₁	39.0 max	39.0 max.	44.0 max.	44.0 max.	44.0 max.

Note : H₁ dimension is based on insertion machine "Panasert RH series" made by Panasonic.
Consult with Panasonic technical staff when using other insertion machines.

● Odd size taping (II)

If the specification of taping is changed by various conditions, including, dimensions, lead spacing and insertion machine, please contact the nearest sales office for further information.

Dimensions



Unit : mm

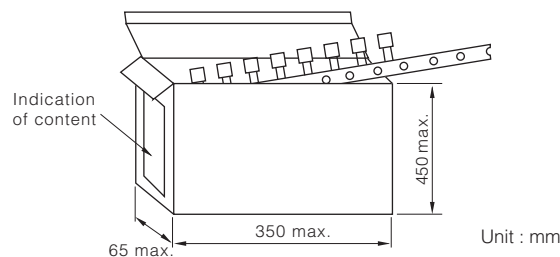
Code	Style AB, AD, AS	Style B	Style C	Style D, F	Style E
P	12.7±1.0	15.0±1.0	25.4±1.0	15.0±1.0	30.0±1.0
P ₀	12.7±0.2	15.0±0.2	12.7±0.2	15.0±0.2	15.0±0.2
P' ₀	—	—	25.4±0.2	—	30.0±0.2
P ₁	3.85±0.50	5.0±0.5	3.85±0.50	3.75±0.50	3.75±0.50
P ₂	6.35±1.30	7.5±1.3	6.35±1.30	7.5±1.3	7.5±1.3
F	5.0 ^{+0.8} _{-0.2}	5.0 ^{+0.8} _{-0.2}	5.0 ^{+0.8} _{-0.2}	7.5 ^{+0.8} _{-0.2}	7.5 ^{+0.8} _{-0.2}
Δh	0±2.0				
W	18.0±0.5				
W ₀	9.5 min.				
W ₁	9.0±0.5				
W ₂	0 — 3.0				
H ₀	16.0±0.5*	16.0±0.5	16.0±0.5	16.0 ^{+1.0} ₀	16.0 ^{+1.0} ₀
H ₁	34.0 max.	39.0 max.	39.0 max.	44.0 max.	44.0 max.
l	0				
l ₀	7.0 max.				
φD ₀	4.0±0.2				
t	0.7±0.2				
L	11.0 max.				

* Style AS is 18.0 – 20.0 in code H.

Note : H₁ dimension is based on insertion machine "Panaset RH series" made by Panasonic.
Consult with Panasonic technical staff when using other insertion machines.

Packing

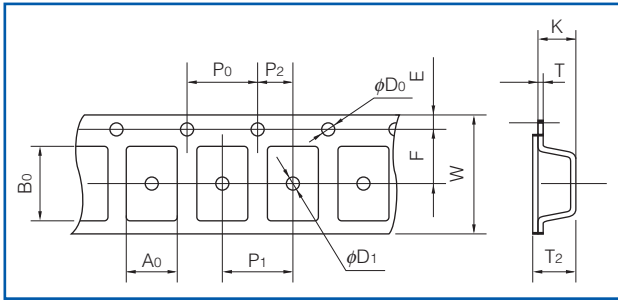
Ammo Packing



Ammo Box depends on capacitor's dimensions, taping style and quantity.

Chip type embossed taping

● Embossed taping



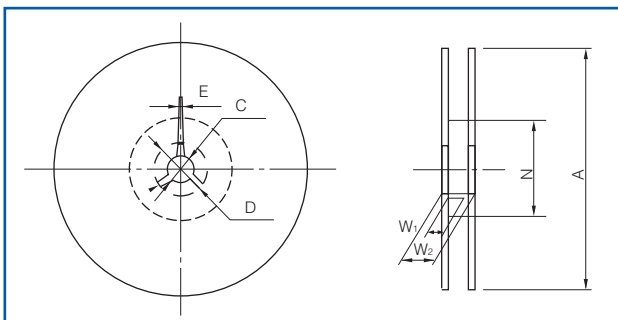
● Standard packaging quantities

Size code	Reel	Quantity
K1	φ180	4000 pcs/reel
J1, J2, H1, H2	φ180	3000 pcs/reel
H3, G1, G2, G3	φ180	2000 pcs/reel
E1, E2, D1, D2	φ330	3000 pcs/reel
E3a, E3, D3, D4, D5	φ330	2000 pcs/reel
B, Z	φ330	1500 pcs/reel
X, Y, V	φ330	1000 pcs/reel

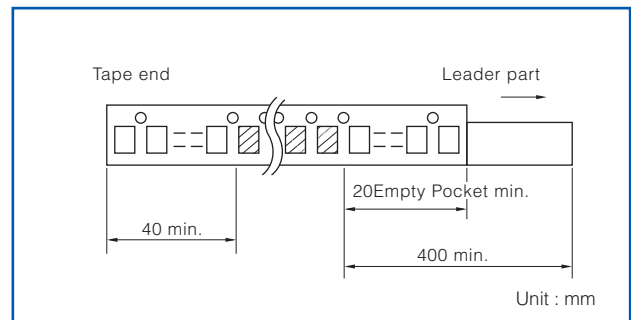
Size code	Dimensions (mm)												
	A ₀ ±0.10	B ₀ ±0.10	W±0.3	F±0.05	E±0.10	P ₁ ±0.1	P ₂ ±0.05	P ₀ ±0.1	φD ₀ ^{+0.1} ₀	φD ₁ ^{+0.2} ₀	T±0.05	T ₂ ±0.2	K±0.1
K1	1.00	1.85	8.0	3.50	1.75	4.0	2.00	4.0	1.5	1.0	0.25	1.0	0.9
J1	1.55	2.30											1.3
J2	1.55	2.30											1.5
H1, H2	1.90	3.50											1.5
H3	1.90	3.50											1.9
G1, G2	2.80	3.50											1.9
G3	2.80	3.50	2.5										
E1	3.80	5.10	12.0	5.50	1.75	8.0	2.00	4.0	1.5	1.5	0.30	2.0	1.9
E2	3.80	5.10											2.6
E3a, E3	3.80	5.10											3.4
D1, D2	4.60	6.30	12.0	5.50	1.75	8.0	2.00	4.0	1.5	-	0.30	2.7	2.6
D3, D4	4.60	6.30											3.5
D5	4.60	6.30											4.6
B	5.50	6.30											5.1
Z	5.50	7.50										4.7	4.6

Size code	Dimensions (mm)												
	A ₀ ±0.1	B ₀ ±0.1	W±0.3	F±0.1	E±0.10	P ₁ ±0.1	P ₂ ±0.1	P ₀ ±0.1	φD ₀ ^{+0.10} ₀	φD ₁ ^{+0.25} ₀	T±0.02	T ₂ ±0.2	K±0.1
X, Y	6.9	8.4	16.0	7.5	1.75	12.0	2.0	4.0	1.50	1.50	0.34	5.7	5.7
V	8.9	10.5											5.9

● Reel dimensions



● Leader part and tape end



Code	Dimensions (mm)		
	Reel size φ180	Reel size φ330	
		Tape width 8	Tape width 12
A	180.0 ⁰ _{-1.5}	330.0±2.0	
C	13.0±0.2	13.0±0.2	
D	21.0±0.8	21.0±0.8	
E	2.0±0.5	2.0±0.5	
N	60.0 ^{+1.0} ₀	80.0±1.0	
W ₁	9.0 ^{+1.0} ₀	13.4±1.0	17.4±1.0
W ₂	11.4±1.0	17.4±1.0	21.4±1.0