

4

3

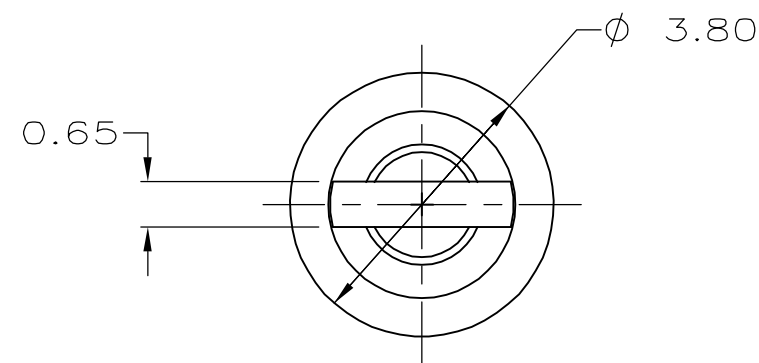
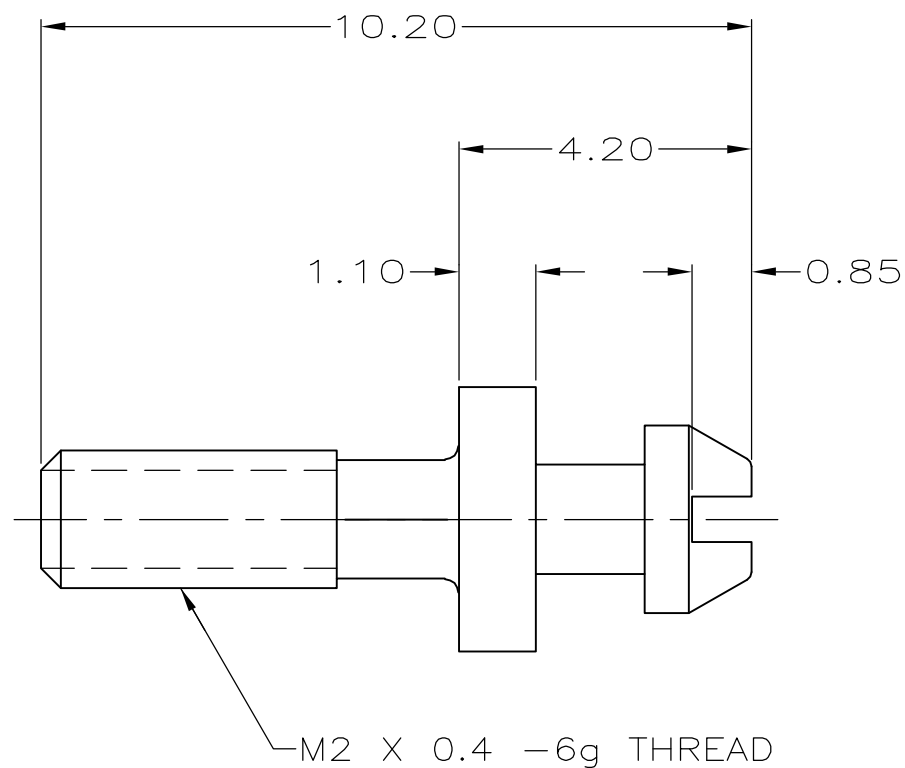
2

1

THIS DRAWING IS UNPUBLISHED. RELEASED FOR PUBLICATION -,- .
 © COPYRIGHT - BY TYCO ELECTRONICS CORPORATION. ALL RIGHTS RESERVED.

LOC	DIST	REVISIONS					
GP	00	P	LTR	DESCRIPTION	DATE	DWN	APVD
			B	REVISED PER ECO-06-000326	17APR06	BM	SS

△ 1 MATERIAL:
 STAINLESS STEEL PER TYCO 100-222-1
 (UNS S30300). COLD FINISHED.



	200	787003-3
OBSOLETE	2	787003-2
	QTY	PART NUMBER

THIS DRAWING IS A CONTROLLED DOCUMENT.		DWN S.G.SMITH 08/20/93	tyco Tyco Electronics Corporation	
DIMENSIONS: mm		CHK J.J.CONSOLO 08/20/93	Electronics Harrisburg, PA 17105-3608	
TOLERANCES UNLESS OTHERWISE SPECIFIED:		APVD -	NAME LATCHING POST, BOARDMOUNT, 0.8mm CHAMP	
0 PLC ± -		PRODUCT SPEC 108-1471	SIZE A3 CAGE CODE 00779 DRAWING NO C-787003 RESTRICTED TO -	
1 PLC ± -		APPLICATION SPEC -	SCALE 10:1 SHEET 1 OF 1 REV B	
2 PLC ± 0.13		WEIGHT -		
3 PLC ± -		CUSTOMER DRAWING		
4 PLC ± -				
ANGLES ± -				
MATERIAL △ 1	FINISH -			