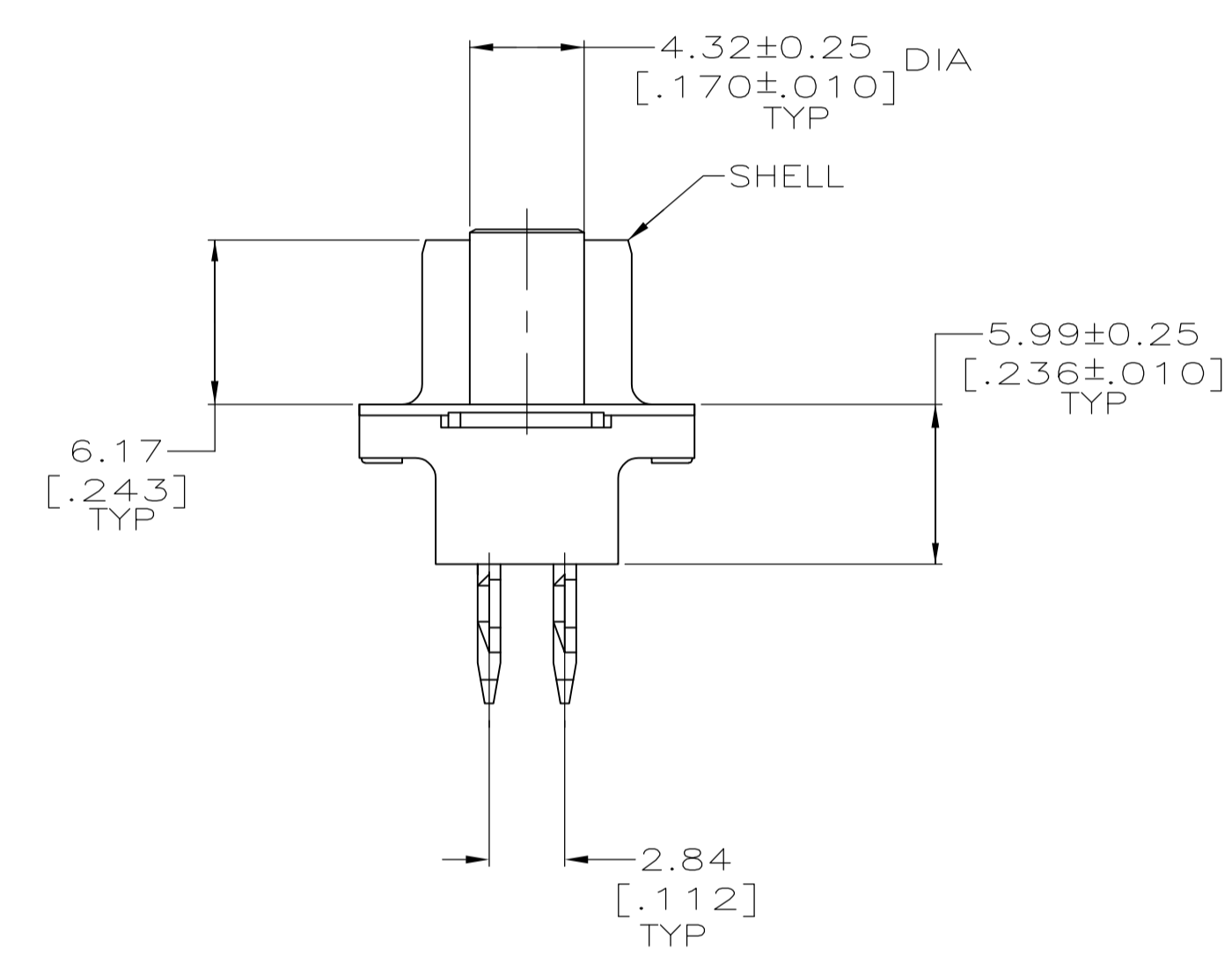
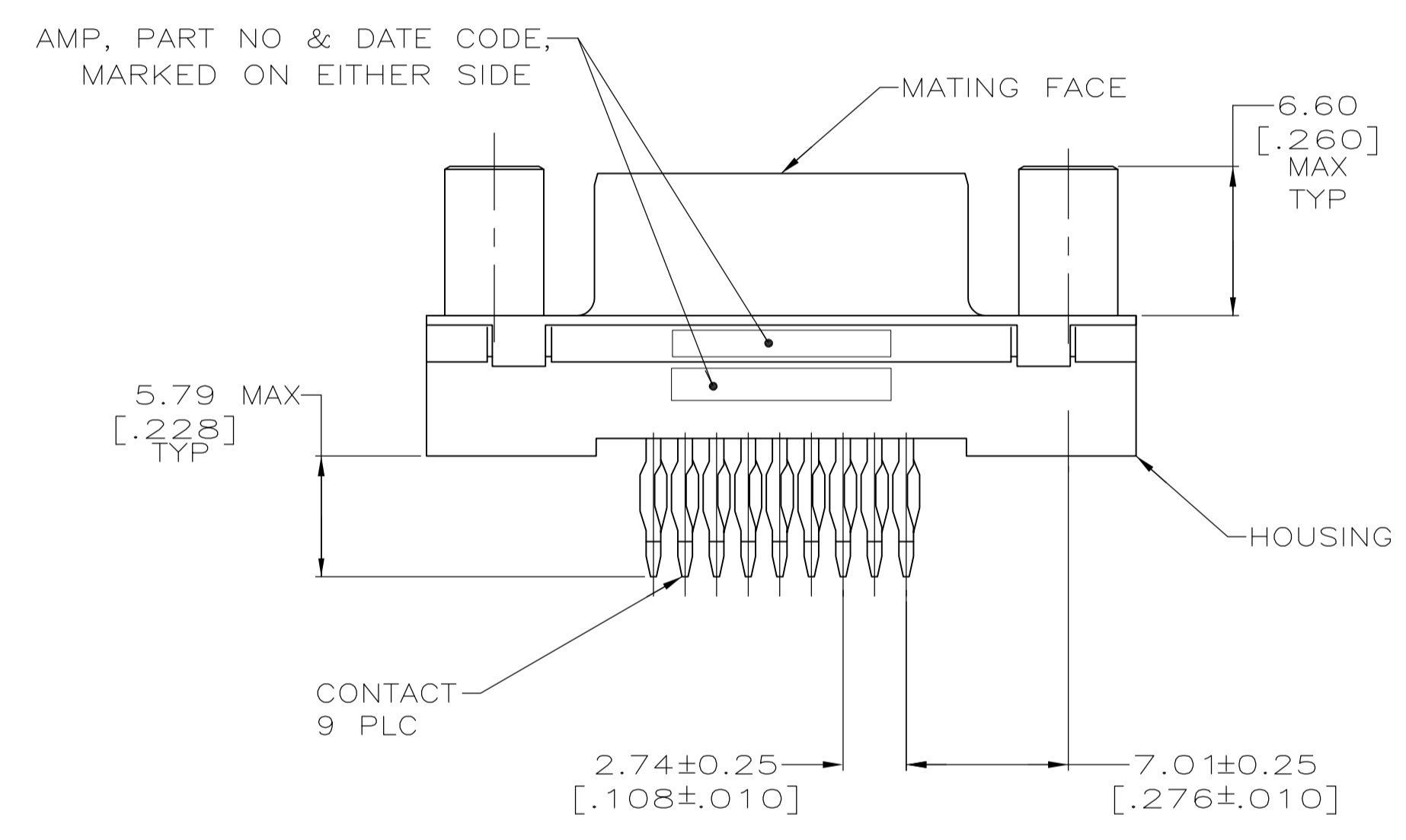
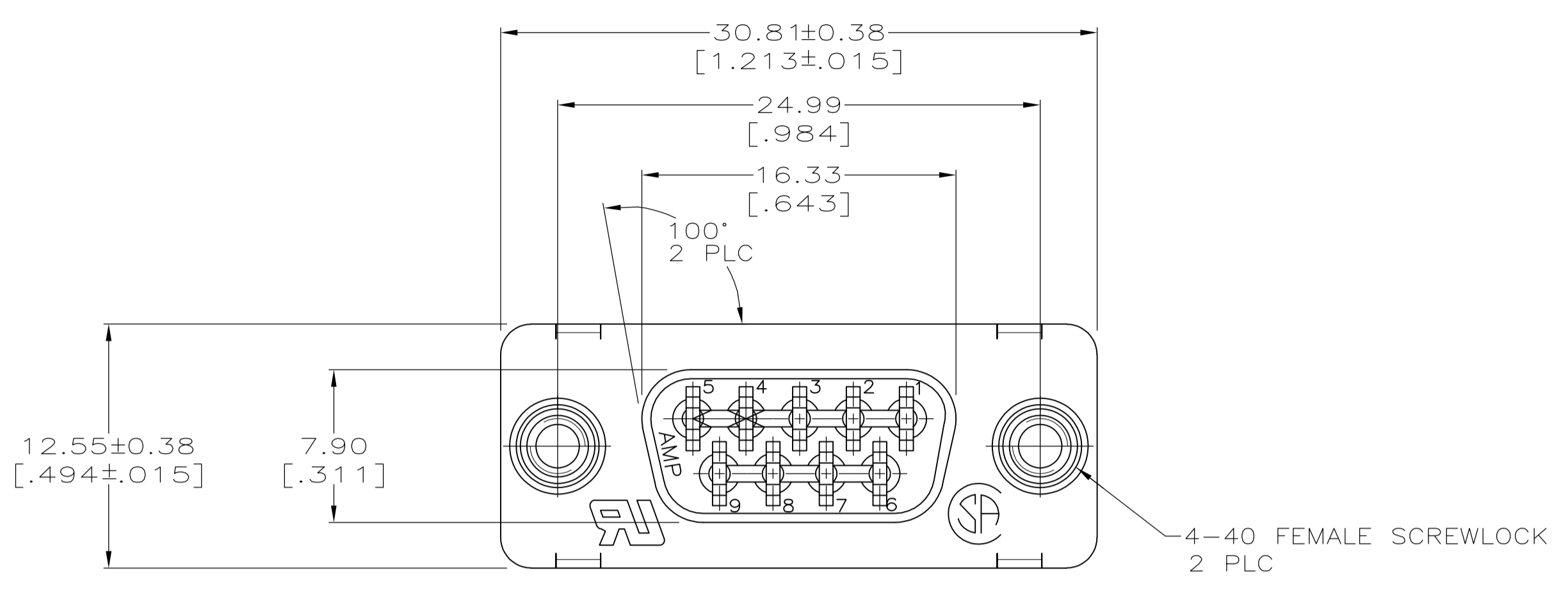


LOC		DIST		REVISIONS			
P	LTR	DESCRIPTION	DATE	DMN	APVD		
N		REVISED PER ECO-12-000090	30JAN2012	CJV	CWR		



- 1 FOR USE WITH 2.36 [.093] MINIMUM THICK PRINTED CIRCUIT BOARD. REFER TO APPLICATION SPECIFICATION FOR PRINTED CIRCUIT BOARD LAYOUT DIMENSIONS AND FINISH RECOMMENDATIONS.
- 2 HOUSING: NYLON OR POLYESTER, UL 94V-0 RATED, GLASS FILLED, BLACK.
- 3 CONTACTS: COPPER ALLOY.
- 4 SHELL: CARBON STEEL.
- 5 FEMALE SCREWLOCKS: ZINC.
- 6 SHELL: $5.08 \mu\text{m}$ [.000200] MIN TIN OVER $2.54 \mu\text{m}$ [.000100] MIN COPPER.
- 7 GOLD FLASH IN MATING AREA. 2.54 MICROMETERS [.000100] MINIMUM TIN OR TIN-LEAD ON COMPLIANT PIN. ALL OVER 1.27 MICROMETERS [.000050] MINIMUM NICKEL.
- 8 DATUM AND BASIC DIMENSION ESTABLISHED BY CUSTOMER.
- 9 0.76 MICROMETERS [.000030] MIN GOLD IN MATING AREA. 2.54 MICROMETERS [.000100] MIN TIN OR TIN-LEAD ON COMPLIANT PIN. ALL OVER 1.27 MICROMETERS [.000050] MIN NICKEL. OR GOLD FLASH OVER PALLADIUM NICKEL. 0.76 MICROMETERS [.000030] MIN TOTAL IN MATING AREA. 2.54 MICROMETERS [.000100] MIN TIN OR TIN-LEAD ON COMPLIANT PIN. ALL OVER 1.27 MICROMETERS [.000050] MIN NICKEL.
- 10 FEMALE SCREWLOCKS—CLEAR TRIVALENT CHROMATE COATING.

OBSOLETE	9	747091-2
	7	747091-1
CONTACT FINISH		PART NUMBER

THIS DRAWING IS A CONTROLLED DOCUMENT. DIMENSIONING AND TOLERANCING PER ASME Y14.5M-2009		DIN C. OBERMAN 05/18/92	APVD R. STONE 6-1-92	NAME
DIMENSIONS: mm [INCHES]		TOLERANCES UNLESS OTHERWISE SPECIFIED:		PRODUCT SPEC
0 PLC ± -		1 PLC ± -		108-40014
1 PLC ± -		2 PLC ± 0.13 [.005]		APPLICATION SPEC
2 PLC ± -		3 PLC ± -		114-40026 1
3 PLC ± -		4 PLC ± -		SIZE CAGE CODE DRAWING NO
4 PLC ± -		ANGLES ± -		A1 00779 C=747091
MATERIAL		FINISH		WEIGHT
2 3 4 5		6 10		—
CUSTOMER DRAWING		SCALE 4:1		SHEET 1 OF 1 REV N