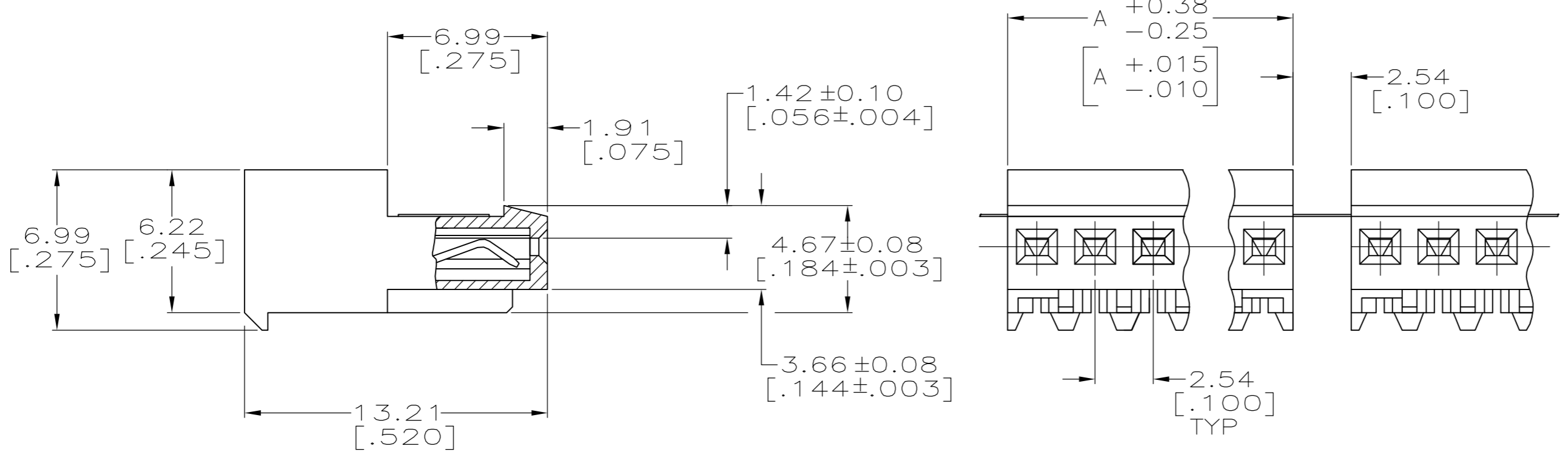
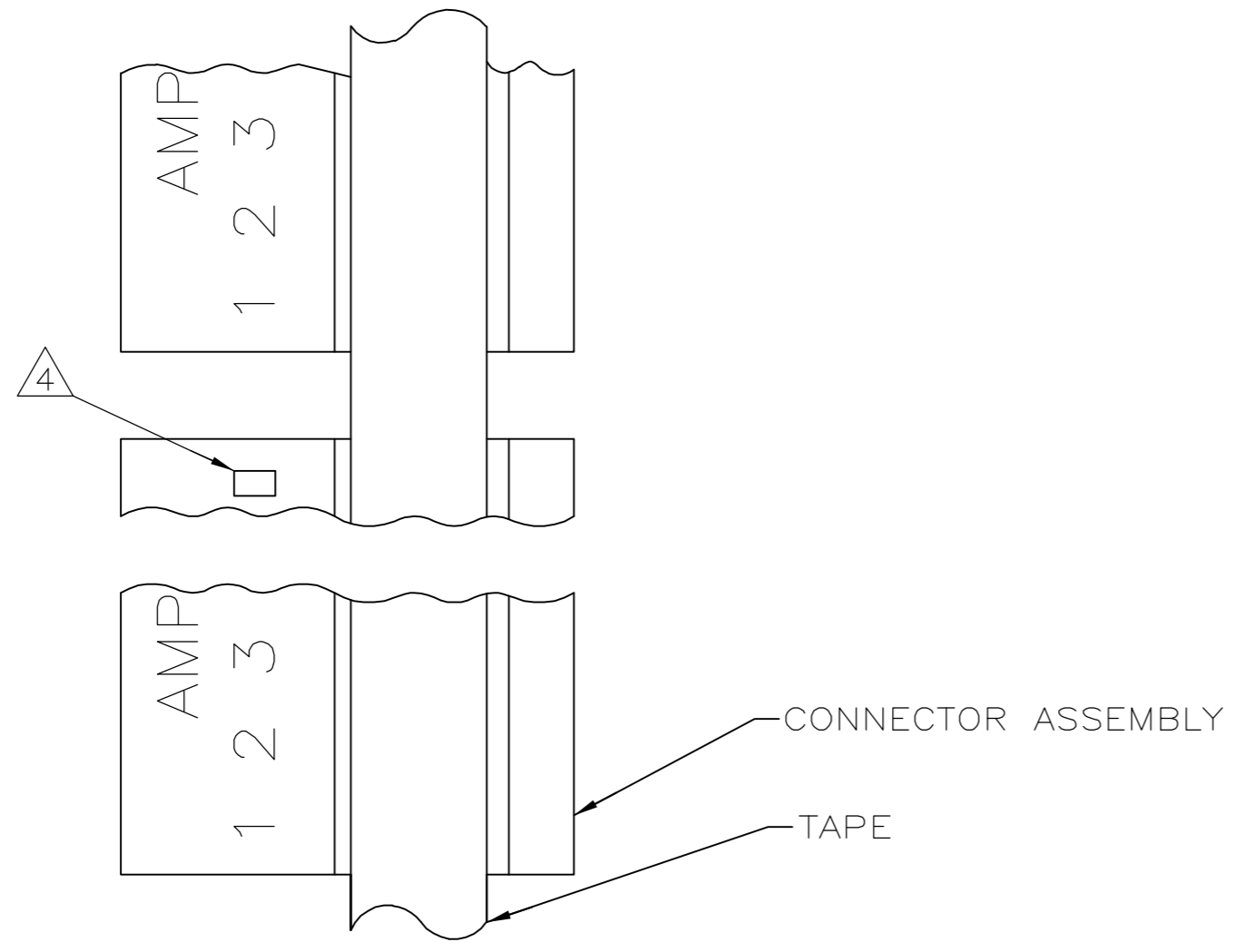


THIS DRAWING IS UNPUBLISHED. RELEASED FOR PUBLICATION  
 © COPYRIGHT BY TYCO ELECTRONICS CORPORATION. ALL RIGHTS RESERVED.

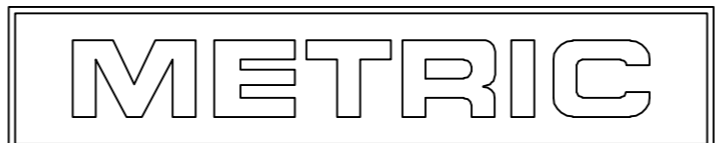
LOC		DIST		REVISIONS			
P	LTR	DESCRIPTION		DATE	DWN	APVD	
	C	REVISED PER ECO-07-003757		01MAR07	KW	DB	

- 1. MATERIAL: CONNECTOR - NYLON UL94V-0 (BLACK).  
 CONTACTS - 0.30[.012] THICK COPPER ALLOY  
 MATTE WHISKER MITIGATED TIN  
 0.00203[.000080] MIN THICKNESS  
 OVER NICKEL UNDERPLATE OR BRIGHT  
 TIN-LEAD 93/7 0.00203[.000080] MIN  
 THICKNESS. SEE FINISH COLUMN FOR  
 PLATING TYPE.
- 2. CONTACTS ACCEPT 26 AWG WIRE WITH 1.52[.060] MAX  
 INSULATION DIAMETER.
- 3. CONTACTS MUST ACCEPT 0.36 - 0.51 [.014 - .020]  
 SQUARE OR ROUND POST AND REMAIN LOCKED IN POSITION.
- 4. IDENTIFICATION NUMBER FOR LAST CIRCUIT MAY  
 NOT APPEAR ON ALL ASSEMBLIES.
- 5. DIMENSIONS IN BRACKETS ARE IN INCHES.
- 6. HOUSING FEATURES ARE: CLOSED END WITH LOCKING  
 RAMP AND LED CONTACT.



DIM A	NO OF CKTS	PART NO
7.62 [.300]	3	3-644247-3
7.62 [.300]	3	644247-3

AMP GROUP 3323 177-34 'TIM BECK'



THIS DRAWING IS A CONTROLLED DOCUMENT.

DWN K. WHITAKER 24JUNE2005	Tyco Electronics Corporation Harrisburg, Pa 17105-3608				
CHK D. BOSSI 24JUNE2005					
APVD D. BOSSI 24JUNE2005					
PRODUCT SPEC 108-1050					
APPLICATION SPEC 114-1019	NAME MTA 100 CONNECTOR ASSEMBLY, 26 AWG, FOR .014 TO .020 POST, UL94V-0, TAPE MOUNTED, SPECIAL				
MATERIAL 1	FINISH 1	SIZE A2	CAGE CODE 00779	DRAWING NO C=644247	RESTRICTED TO -
CUSTOMER DRAWING			SCALE 5:1	SHEET 1 OF 1	REV C