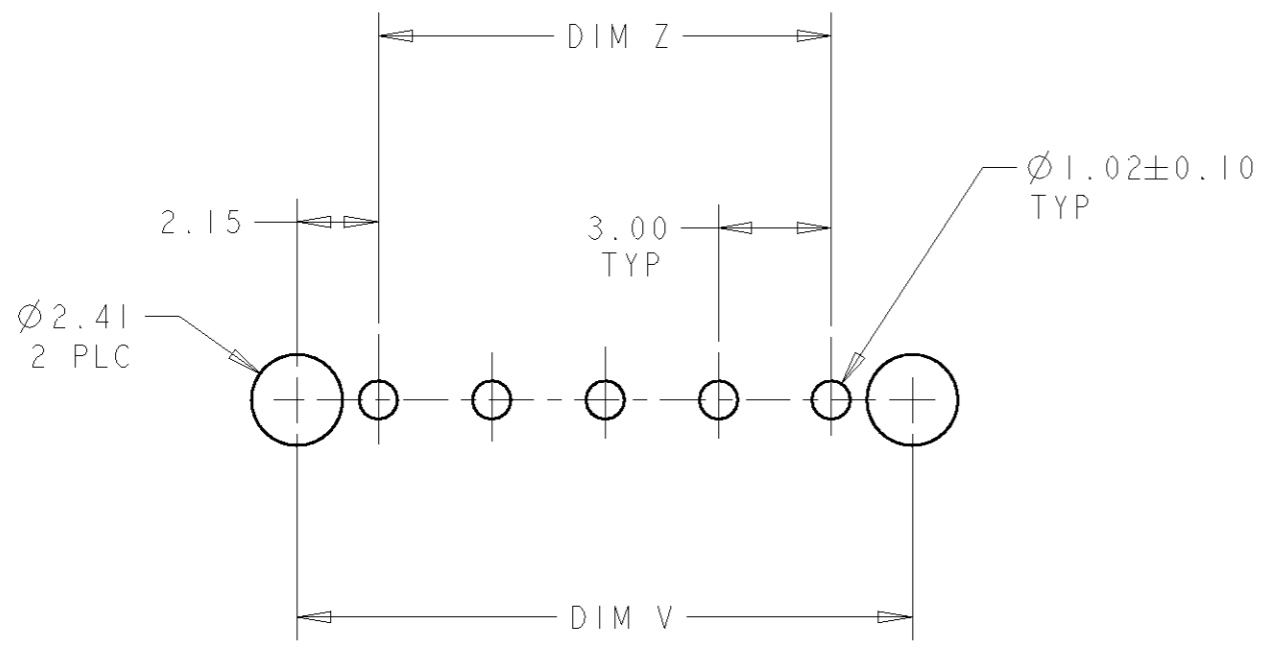
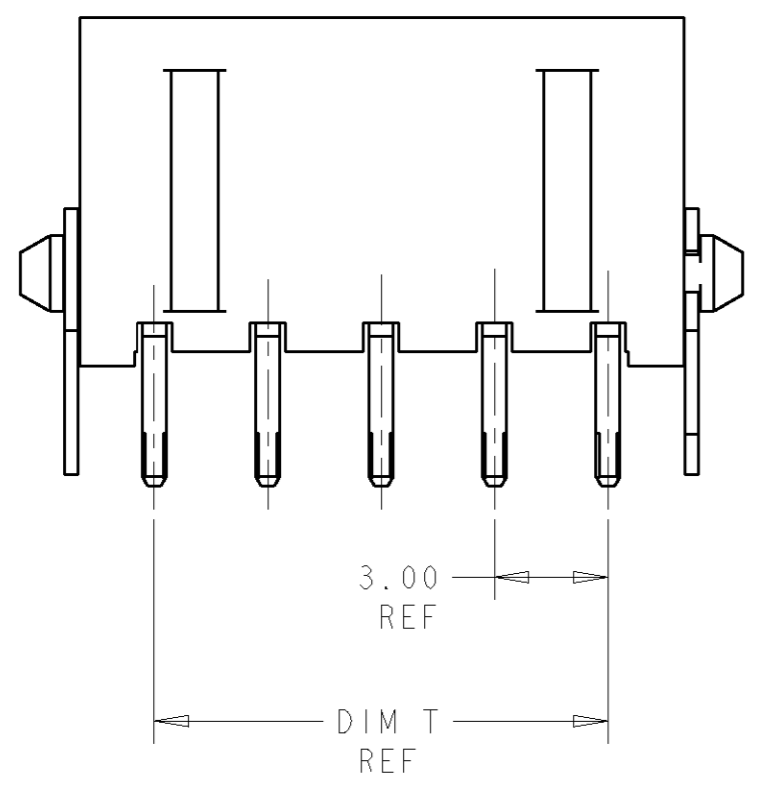
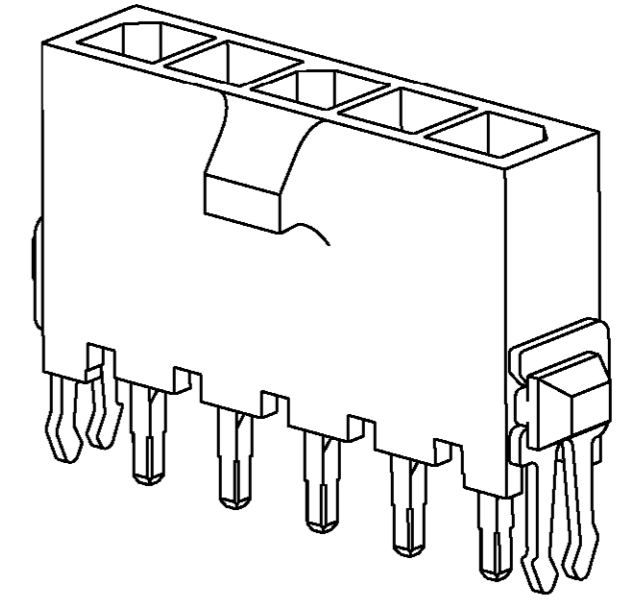
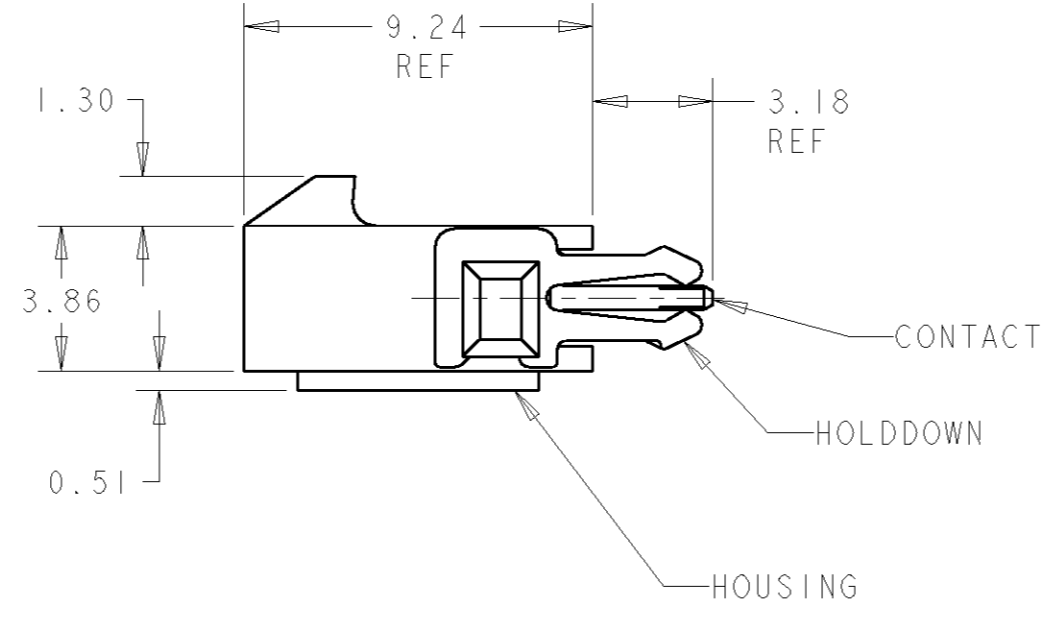
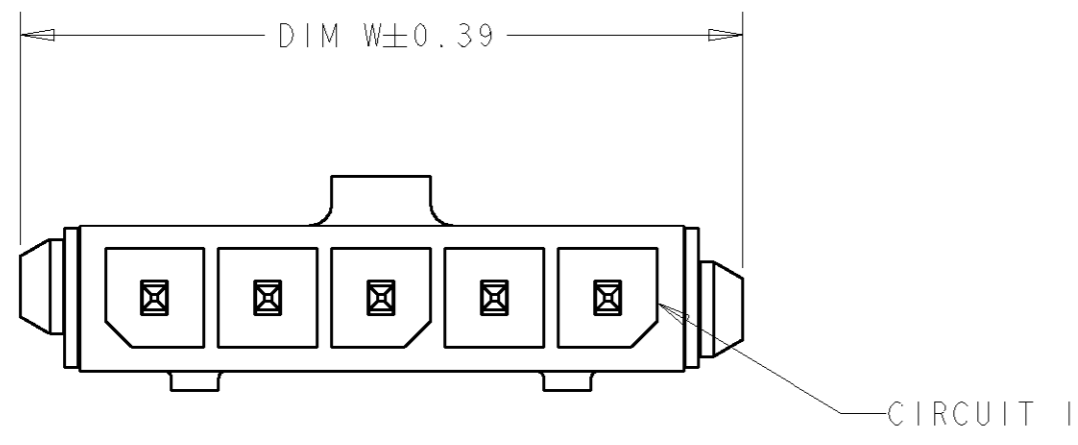


THIS DRAWING IS UNPUBLISHED. RELEASED FOR PUBLICATION .19
 © COPYRIGHT 19 BY AMP INCORPORATED. ALL RIGHTS RESERVED.

| LOC | DIST | REVISIONS | | | | | |
|-----|------|-----------|-----|---------------------------|-----------|-----|------|
| CM | 00 | P | LTR | DESCRIPTION | DATE | DWN | APVD |
| | | 0 | | RELEASED PER 0G3B-0330-01 | 15-AUG-01 | KW | CJ |



PCB LAYOUT COMPONENT SIDE $\triangle 4$

- $\triangle 1$ MATERIAL: CONTACTS - BRASS
 HOUSING - UL 94V-0 RATED HIGH TEMP NYLON, COLOR BLACK.
 HOLDDOWNS: - PHOSPHOR BRONZE.
- $\triangle 2$ PLATING: CONTACTS - 2.54 μ m MINIMUM TIN-LEAD OVER 1.27 μ m MINIMUM NICKEL.
 HOLDDOWNS: 2.54 μ m MINIMUM TIN-LEAD OVER 1.27 μ m MINIMUM NICKEL.
- $\triangle 4$ RECOMMENDED PC BOARD THICKNESS OF 1.57.

| | | | | | |
|-------|-------|-------|-------|-------------|-------------|
| 33.00 | 37.43 | 33.00 | 40.14 | 12 | 1-1445051-2 |
| 30.00 | 34.43 | 30.00 | 37.14 | 11 | 1-1445051-1 |
| 27.00 | 31.43 | 27.00 | 34.14 | 10 | 1-1445051-0 |
| 24.00 | 28.43 | 24.00 | 31.14 | 9 | 1445051-9 |
| 21.00 | 25.43 | 21.00 | 28.14 | 8 | 1445051-8 |
| 18.00 | 22.43 | 18.00 | 25.14 | 7 | 1445051-7 |
| 15.00 | 19.43 | 15.00 | 22.14 | 6 | 1445051-6 |
| 12.00 | 16.43 | 12.00 | 19.14 | 5 | 1445051-5 |
| 9.00 | 13.43 | 9.00 | 16.14 | 4 | 1445051-4 |
| 6.00 | 10.43 | 6.00 | 13.14 | 3 | 1445051-3 |
| 3.00 | 7.43 | 3.00 | 10.14 | 2 | 1445051-2 |
| DIM Z | DIM V | DIM T | DIM W | NO. OF POSN | PART NUMBER |

| | | | |
|--|---|---|---|
| <small>THIS DRAWING IS A CONTROLLED DOCUMENT FOR AMP INCORPORATED. IT IS SUBJECT TO CHANGE AND THE CONTROLLING ENGINEERING ORGANIZATION SHOULD BE CONTACTED FOR THE LATEST REVISION.</small> | | DWN J.ROOT 08OCT2000 CHK K. WHITAKER 12-MAR-2001 APVD K. WHITAKER 12-MAR-2001 | AMP Tyco Electronics Harrisburg, PA 17105-3608 |
| DIMENSIONS: mm | TOLERANCES UNLESS OTHERWISE SPECIFIED: 0 PLC ± 1 PLC ± 2 PLC ±0.13 3 PLC ± 4 PLC ± ANGLES ± FINISH - | PRODUCT SPEC - APPLICATION SPEC - WEIGHT - | NAME VERTICAL THRU HOLE HEADER ASSY, TIN CONTACTS, WITH THRU HOLE HOLDDOWNS, SINGLE ROW, MICRO MATE-N-LOK™ SIZE A2 CAGE CODE 00779 DRAWING NO. 1445051 |
| MATERIAL - $\triangle 1$ | FINISH - $\triangle 2$ | CUSTOMER DRAWING | SCALE 5:1 SHEET 1 OF 1 REV 0 |

