

4

3

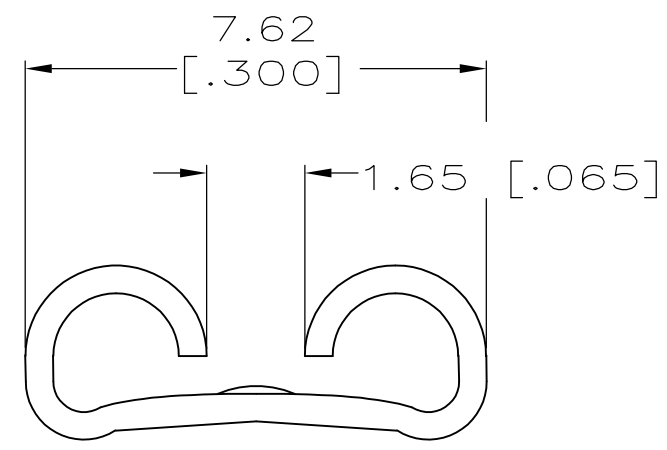
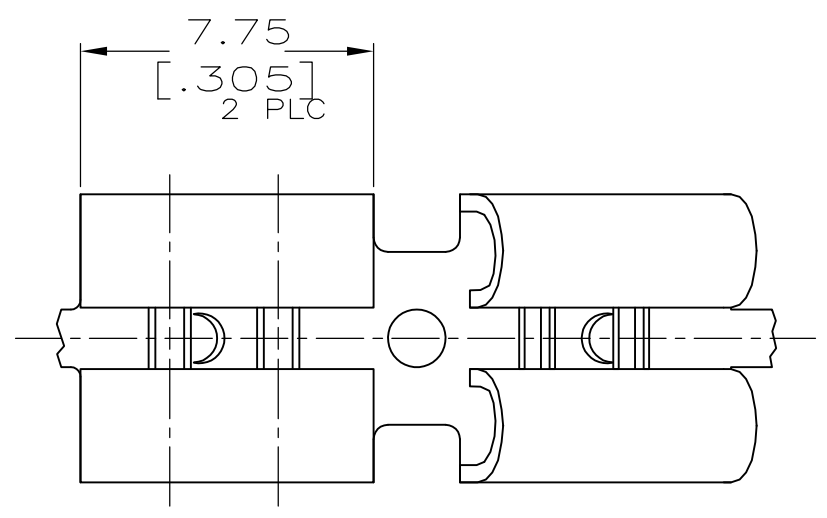
2

1

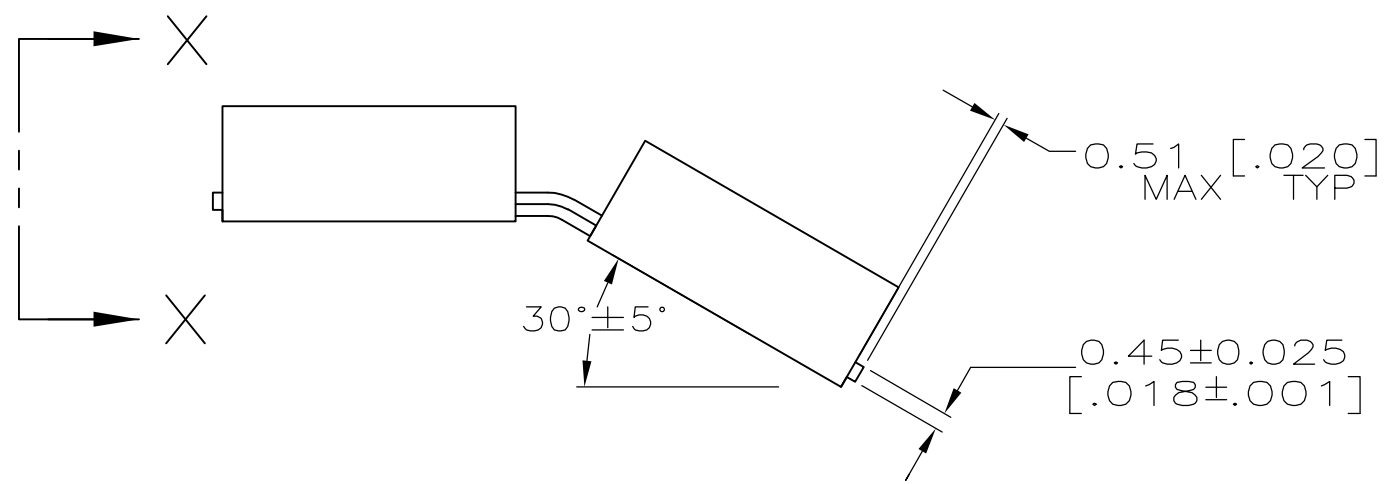
THIS DRAWING IS UNPUBLISHED. RELEASED FOR PUBLICATION  
 © COPYRIGHT - By - ALL RIGHTS RESERVED.

LOC	DIST	REVISIONS			
P	LTR	DESCRIPTION	DATE	DWN	APVD
AF	50	F	REVISED PER ECR-12-013518	23NOV2012	KH PD

- 1 SUPPLIED IN LOOSE PIECE
- 2 MATING TAB THK TO BE  $0.81 \pm 0.025$  [.032 ± .001]



VIEW X-X  
SCALE 8:1



1217283-1  
PART NO.

THIS DRAWING IS A CONTROLLED DOCUMENT.		DWN	JR RUTH	17DEC99	<b>TE Connectivity</b> RECEPTACLE, FASTON™ ADAPTER, 6.35 [.250] SERIES								
DIMENSIONS: mm [INCHES]		CHK	MS FEHER	17DEC99									
TOLERANCES UNLESS OTHERWISE SPECIFIED:		APVD	S HEADER	17DEC99									
0 PLC ± - 1 PLC ± - 2 PLC ± 0.25 [.010] 3 PLC ± - 4 PLC ± - ANGLES ± -		PRODUCT SPEC	-	-									
MATERIAL	BRASS	FINISH	0.002032 [.000080] MIN TIN	APPLICATION SPEC	-	SIZE	A3	CAGE CODE	00779	DRAWING NO	C-1217283	RESTRICTED TO	-
CUSTOMER DRAWING				WEIGHT	-	SCALE	5:1	SHEET	1 OF 1	REV	F		