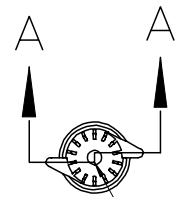
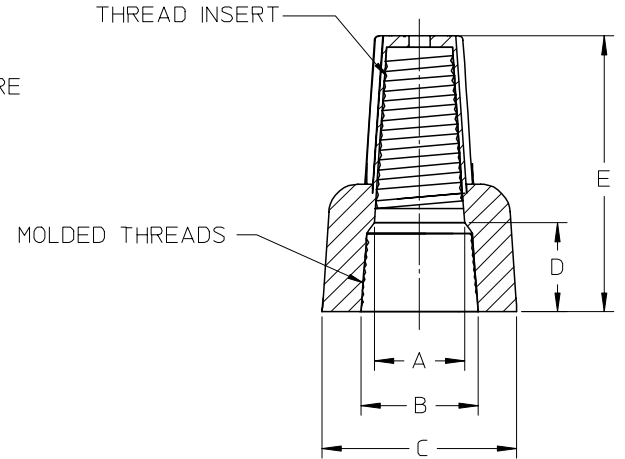
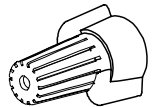
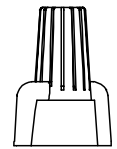


10	9	8	7	6	5	4	3	2	19160	
MATERIAL NUMBER	ENGINEERING NUMBER	COLOR	WIRE RANGE	WIRE RANGE MIN.	WIRE RANGE MAX.	DIM A	DIM B	DIM C	DIM D	DIM E
191600195	WL-GRN	GREEN	14-10	2#14	3#12 & 1#14	.33/8.4	.48/12.2	.80/20.3	.37/9.4	1.13/28.7



THROUGH HOLE FOR GROUND WIRE



SECTION A-A  
SCALE 2:1

REF NOTES:  
1.) MOLEX UL FILE NO.: E198234  
2.) MOLEX CSA FILE NO.: PENDING

(B)

EC NO: B	DRWN: ASAYDEH 2005/11/03 CHKD: 2005/11/15 APPR: RDEROSS 2005/11/21	DESCRIPTION	QUALITY SYMBOLS	GENERAL TOLERANCES (UNLESS SPECIFIED)	SCALE 1:1	DESIGN UNITS INCH	THIRD ANGLE PROJECTION	REVISE ON CAD ONLY	
			▽ = 0		mm	IN/MM	TITLE		
			▽ = 0		4 PLACES ± --- ± ---	DRAWN BY B.RUPERT	DATE 11/07/03	WIRE NUT CONNECTORS GROUNDING TYPE	
			▽ = 0		3 PLACES ± --- ± ---	CHECKED BY J.PAWLIC	DATE 11/08/03	MOLEX MOLEX INCORPORATED	
				2 PLACES ± --- ± .02	APPROVED BY R.DEROSS	DATE 11/09/03	MATERIAL NO. SEE CHART	DOCUMENT NO. SD-19160-002	SHEET NO. 1 OF 1
				1 PLACE ± 0.5 ± ---	THIS DRAWING CONTAINS INFORMATION THAT IS PROPRIETARY TO MOLEX INCORPORATED AND SHOULD NOT BE USED WITHOUT WRITTEN PERMISSION				
				ANGULAR ± 1 °					
				DRAFT WHERE APPLICABLE MUST REMAIN WITHIN DIMENSIONS					