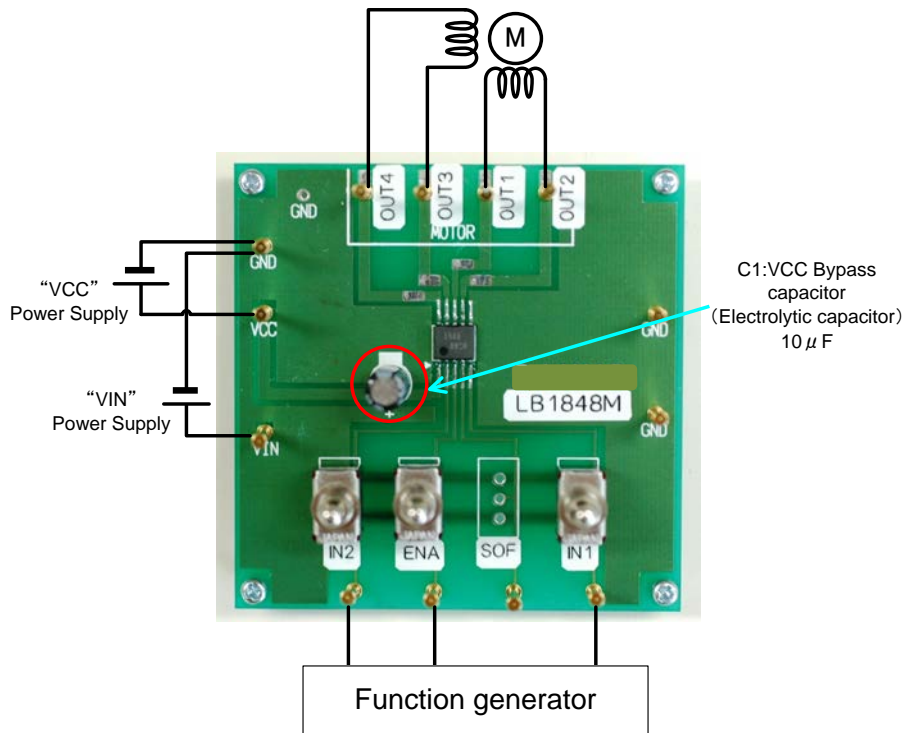
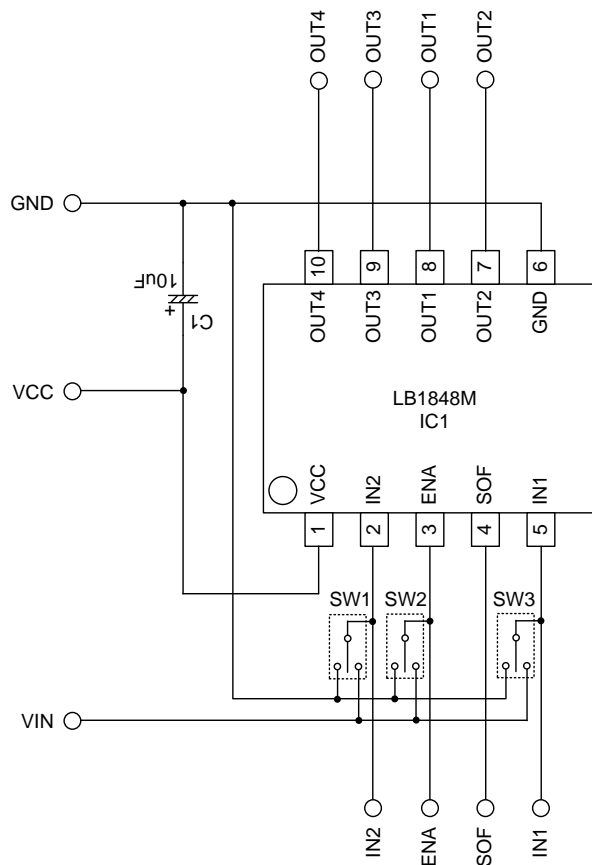


Test Procedure for the LB1848MGEVB Evaluation Board



(Circuit diagram of the evaluation board)



(Supply Voltage)

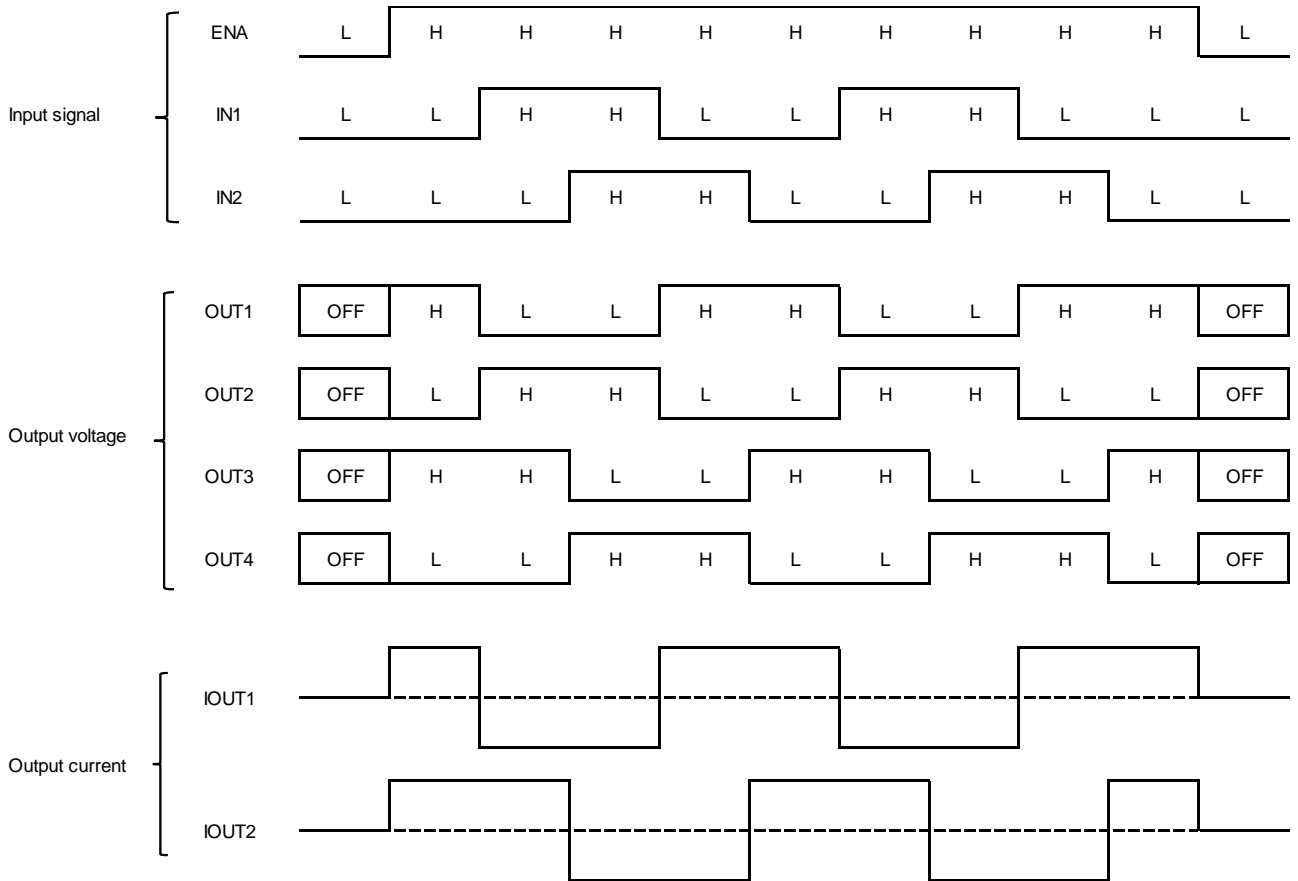
VCC (2.5 to 7.5V): Motor power supply voltage for IC
 VIN(2.5 to 7.5V): Control power supply voltage for IC

(Toggle Switch State)

Upper Side: High (VIN)
 Middle: Open, enable to external logic input
 Lower Side: Low (GND)

(Testing method)

- Connect a stepper motor with OUT1, OUT2, OUT3 and OUT4.
- Connect the motor power supply with the terminal VCC, the control power supply with the terminal VIN.
- Connect the GND line with the terminal GND.
- Stepper motor drives it in 2phase excitation by inputting a signal such as follows into ENA,IN1 and IN2.
- Check the stepper motor is rotating.
- Check the waveform of the output voltage and current.(Please refer to the following waveform example.)



•Stepper motor driving waveform example

