

4

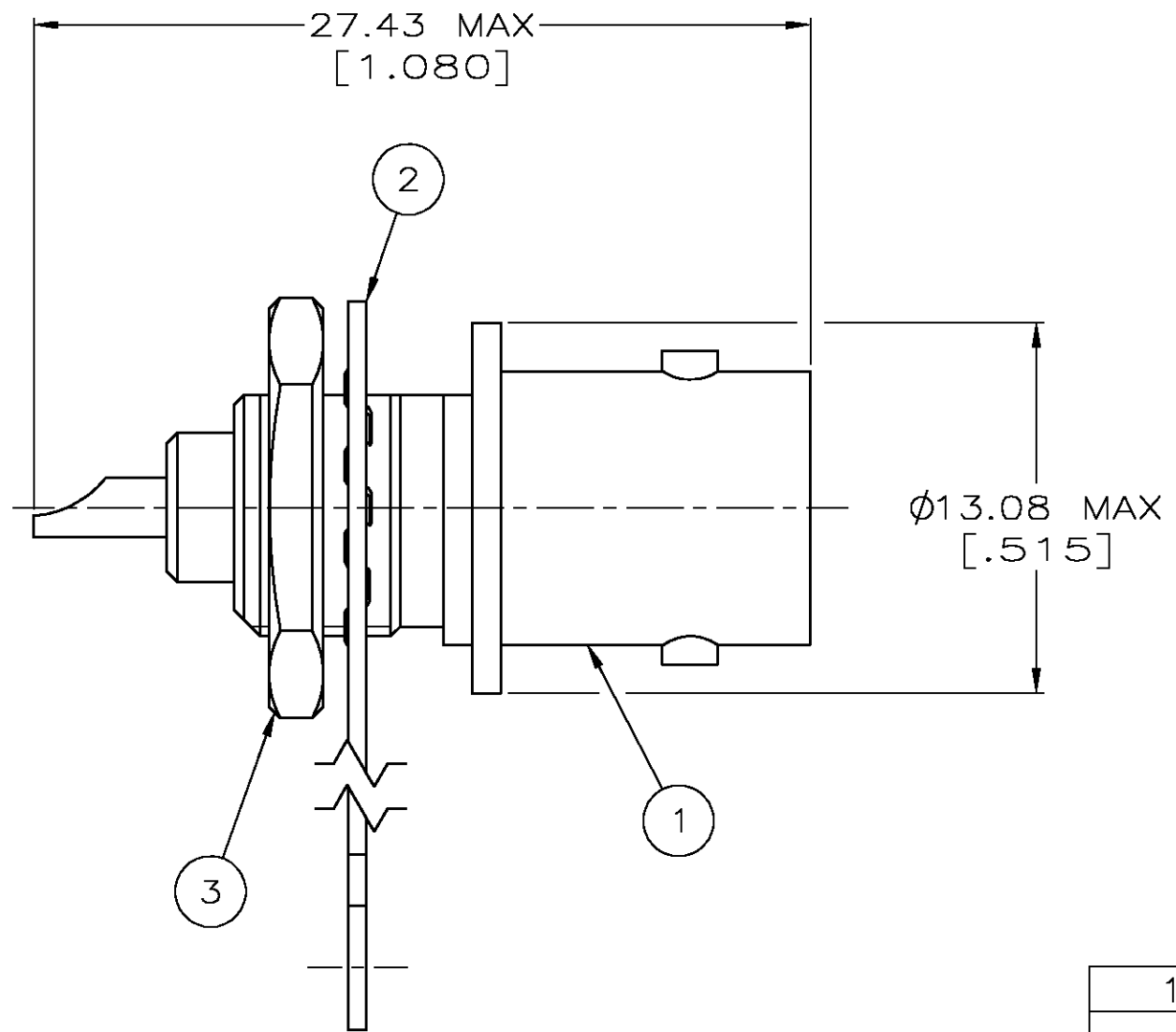
3

2

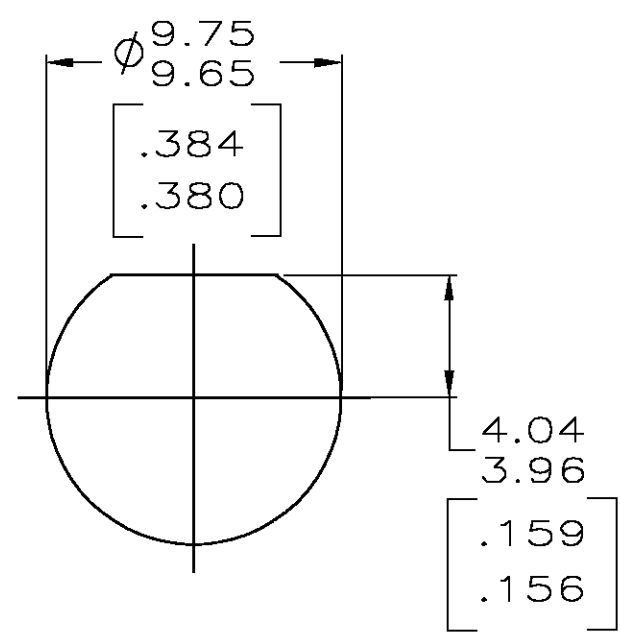
1

THIS DRAWING IS UNPUBLISHED. RELEASED FOR PUBLICATION  
 © COPYRIGHT BY TYCO ELECTRONICS CORPORATION. ALL RIGHTS RESERVED.

LOC	DIST	REVISIONS			
P	LTR	DESCRIPTION	DATE	DWN	APVD
AJ	16	E	EC PER 0S14-0192-04	11NOV2004	JGH JL



1. SEE I.S. 9086



RECOMMENDED PANEL CUTOUT

1-330249-1	9-227260-0	221245-1	221244-1
3 JAM NUT QTY=1	2 LOCKWASHER, TERMINAL QTY=1	1 JACK ASSY QTY=1	PART NUMBER

THIS DRAWING IS A CONTROLLED DOCUMENT.		DWN K. TOBIAS 1-8-93	Tyco Electronics Corporation Harrisburg, PA 17105-3608	
DIMENSIONS: INCHES		CHK J. LIPPERT 2-2-93	NAME SOLDER, JACK 75 OHM, SERIES BNC	
TOLERANCES UNLESS OTHERWISE SPECIFIED:		APVD A. GABANY 2-2-93	PRODUCT SPEC 108-12079	
0 PLC ± -		APPLICATION SPEC		
1 PLC ± -		SIZE A3		
2 PLC ± -		CAGE CODE 00779		
3 PLC ± -		DRAWING NO C-221244		
4 PLC ± -		RESTRICTED TO		
ANGLES ± -		WEIGHT -		
MATERIAL -		FINISH -		
		CUSTOMER DRAWING		
		SCALE 4:1		SHEET 1 OF 1
		REV E		