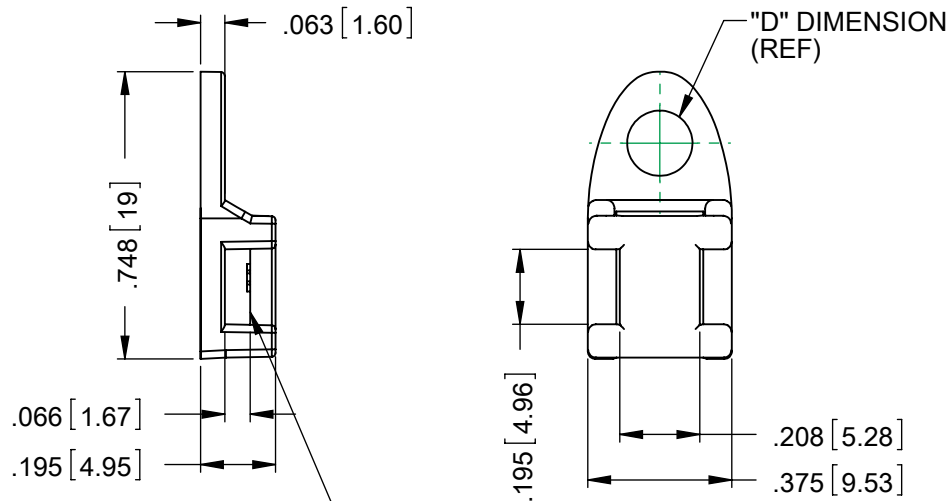


PART NO.	"D" DIMENSION	REC. FAST.
FTH-34-01	.170 [4.30]	#8 (M4) SCREW
FTH-35-01	.200 [5.10]	#10 (M5) SCREW



ACCOMMODATES WIT-18,WIT-30,
WIT-40,WIT-50,WIT-60 , QTE-18 , QTE-30 AND QTE-50 TIES

NOTES:

- 1.MATERIAL: NYLON 6/6 UL 94 V-2 (RMS-01).
-NYLON 6/6 UL 94 V-0 (RMS-19),
AVAILABLE BY SPECIAL ORDER ONLY.
TO ORDER REPLACE "-01" WITH "-19"
- 2.COLOR: NATURAL
- 3.ALTERNATE UNITS FOR REFERENCE ONLY

REV.	DESCRIPTION	ENGR.	DATE
A	RELEASED FOR PRODUCTION	T.Y	10.17.07

TITLE: TIE ANCHOR MOUNT				DWG IN IN [MM]		FINAL	
CREATED USING SOLIDWORKS	FILE #: FTH-34(35) CA	DWN: T.Y	APP: W.H				
TOLERANCES UNLESS NOTED .XXX=±.010 FRAC.=±1/32 ANG.=±3°	SHEET: 1 OF 1	SHEET SIZE: A	DT: 10.17.07	CHKD: J.T	PART #		PRINT TYPE
RE: RICHCO XIAMEN		RICHCO XIAMEN RICHCO_XIAMEN@RIHCO.CN (+86)592-6884500		SEE TABLE		CA	